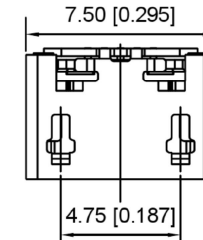
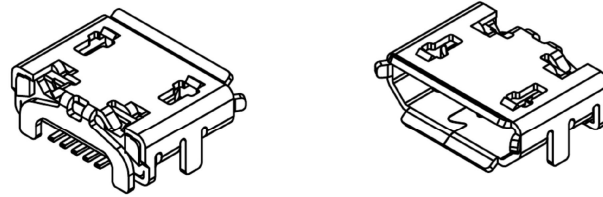
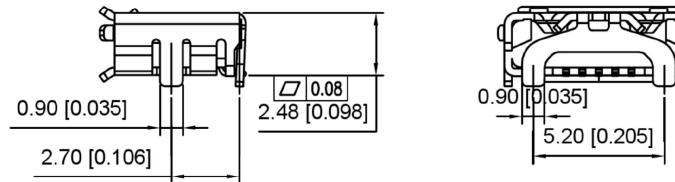
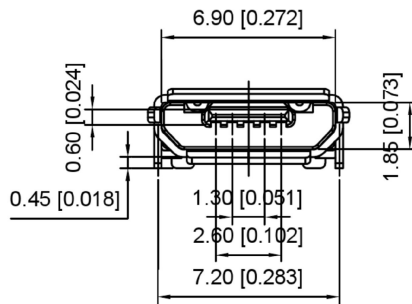


Scrolls (S)

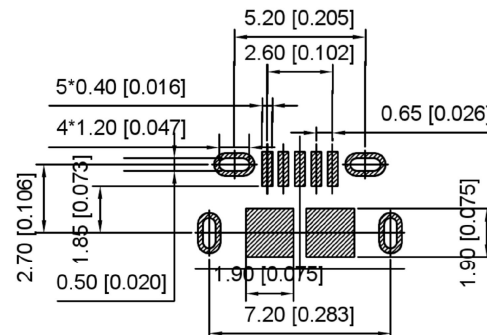
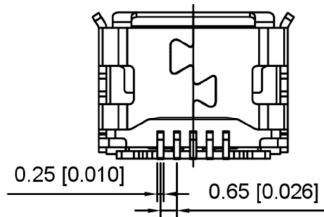


Flat(F)



NOTES:

1. MATERIAL&FINISH:SEE TABLE A;
2. SPECIALITY:
 - 2.1 RATED CURRENT:1.8A For Pin1.5
0.5A For Pin 2,3,4
 - 2.2 RATED VOLTAGE:30V
 - 2.3 CONTACT RESISTANCE:30mΩ Max
 - 2.4 INSULATION RESISTANCE:1000M Ω Min 500V DC
 - 2.5 DIELECTRIC WITHSTANDING VOLTAGE:100V AC 1Min.
 - 2.6 SOLDER ABILITY:255±5℃ ,5±0.5S.
 - 2.7 DURABILITY:5000 CYCLES Min.
 - 2.8 OPERATING CONDITION:TEMPERATURE -40℃~+85℃
HUMIDITY 80% R.H Max
3. MECHANICAL:
 - 3.1 INSERTION FORCE:35N Max
 - 3.2 EXTRACTION FORCE:8N Min
4. PLEASE CONTACT JITS SALES REPRESENTATIVE TO
VERIFY PRODUCT DETAILS & AVAILABILITY



RECOMMENDED PCB LAYOUT(TOP VIEW)
GENERAL TOLERANCES:±0.05

U254-05XN-4BH24-X2S

- 1:AU 1U"
- 5:AU 15U"
- 6:AU 30U"
- T:TIN
- N:NICKEL
- S:Sus
- 2:WITHOUT
- S:Scrolls F:Flat
- B:BLACK W:WHITE
- 1:PBT
- 2:PA6T
- 3:PA9T
- 4:LCP

				ANGULAR	±5°
				L ≤ 4	±0.2
				4 < L ≤ 16	±0.3
				16 < L ≤ 63	±0.4
				L > 63	±0.5
				UNSPECIFIED TOLERANCES	
REVISIONS					
	DATE	REVISED	APPROVED		
www.alpsr.com www.gdxjdz.com www.xbswitch.com					



DONG GUAN XI BANG ELECTRONIC CO., LTD

DSND	SCALE: N/A	MODEL TYPE:	MICRO USB
DWN	VIEW:	PART NO.:	
CHKD	UNIT: mm/in	DWG NO.:	U254-05XN-4BH24-X2S
APPD	SIZE: A4	WEIGHT	SHEET
			REVISION
			1/1
			A0