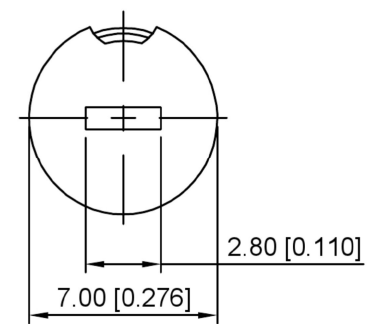




	MATERIAL	PLATING
Terminal	phosphor bronze	NI
Fork hook tube	H65	NI
Plastic	Pbt	Black

Technolo Request:

- 1.Outlook:
NO burr,no hurt.
- 2.Electronic performance:
 - a:Insulation resistance:
Above DC500V/100MΩ ;
 - b:Endure voltage:
AC500V at 1 minute;
 - c>Contact resistance:
Under 30MΩ ;
- 3.Insertion fore & withdrawal force;0.3-3kg
- 4.Salt spray test :48H.
- 5.Meet RoHS.
- 6.Remark * is important specification



				ANGLAR	±5°		DSND	SCALE: N/A	MODEL TYPE: DC POWER JACK
				L ≤ 4	±0.2		DWN	VIEW: 	PART NO.: DT-2306530
				4 < L ≤ 16	±0.3		CHKD	UNIT: mm/in	DWG NO.:
				16 < L ≤ 63	±0.4		APPD	SIZE: A4	
				L > 63	±0.5				
REVISIONS				UNSPECIFIED TOLERANCES		DONG GUAN XI BANG ELECTRONIC CO., LTD			
www.alpsr.com www.gdxjdz.com www.xbswitch.com						WEIGHT	SHEET	REVISION	
							1/1	A0	