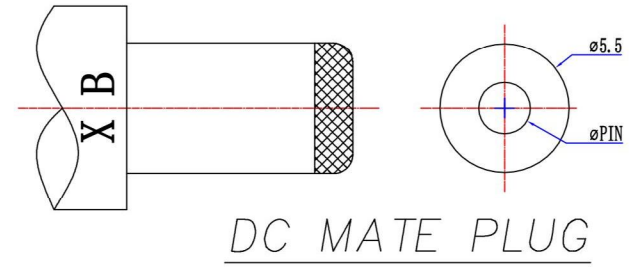
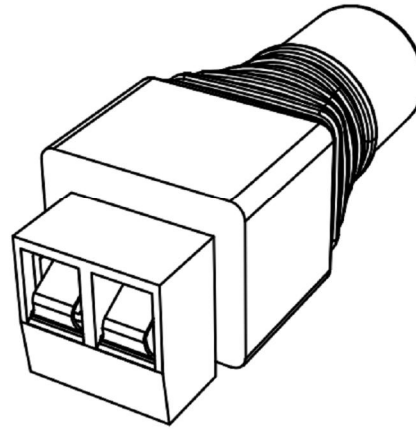
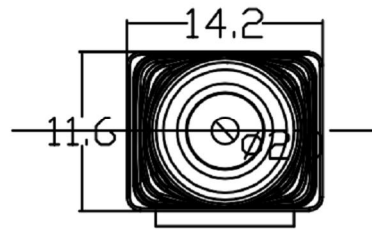
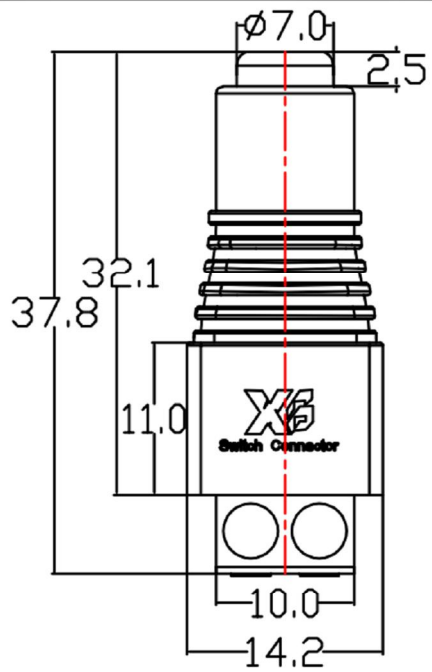


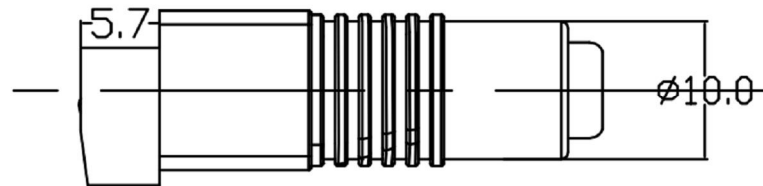
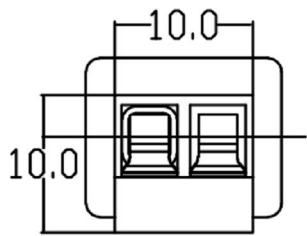
**ROHS**



|            |          |
|------------|----------|
| SCHEMATIC  | 1/4<br>3 |
| CENTER PIN | ø2.0mm   |
|            | ø2.5mm   |

SPECIFICATION

1. Rating : DC 12V 30V , 30A 50A
2. Contact resistance :  $\leq 30m\Omega$
3. Insulation resistance :  $\geq 100M\Omega$
4. Withstand voltage : 500VAC
5. Insertion and extraction force : 3-20N
6. life test : 5,000 cycles



|    |              |     |      |              |       |
|----|--------------|-----|------|--------------|-------|
| 5  | XB-DC-9514-5 | 塑料座 | 1PCS | PPT          | 黑色    |
| 4  | XB-DC-9514-4 | 4号脚 | 1PCS | H59-3黄铜      | 镀银    |
| 3  | XB-DC-9514-3 | 3号脚 | 1PCS | C5191磷铜=0.35 | 镀银    |
| 2  | XB-DC-9514-2 | 铜套  | 1PCS | H59-3黄铜棒     | 镀锡    |
| 1  | XB-DC-9514-1 | PIN | 1PCS | H59-3黄铜棒     | 镀锡    |
| 序号 | 零件图代号        | 名称  | 数量   | 材料           | 镀层/颜色 |

|                                   |       |            |               |      |  |  |               |     |                   |                   |      |           |
|-----------------------------------|-------|------------|---------------|------|--|--|---------------|-----|-------------------|-------------------|------|-----------|
|                                   |       |            |               |      |  | <b>东莞市溪榜电子有限公司</b><br>DONG GUAN XI BANG ELECTRONICS CO., LTD |               |     |                   |                   |      |           |
|                                   |       |            |               |      |  | TITLE : XB DC Power Jack                                     |               |     |                   |                   |      |           |
| MODEL : XB-DC-MH-001M 母转免焊绿色接线端子座 |       |            |               |      |  |  |               |     |                   |                   |      |           |
| UNIT : MM                         | DWN.  | ZENQ. CHEN | DATE          |      |  | TOLERANCE  | ANGLE TOL     | 6   | PIN               | BRASS             | 1    | Ni PLATED |
| SCALE : 3 : 1                     | CHK'D | DONG. PANG | DATE          |      |  | $\leq 1.5mm \pm 0.1$   |               | 5   | TERMINAL          | BRASS STRIP t=0.3 | 1    | Ag PLATED |
| VERSTON                           | 01    | APPD.      | FET. LONG. HE | DATE |  | $> 1.5mm \pm 0.2$  | $\pm 2^\circ$ | 4   | SPRING TERMINAL C | PBS STRIP t=0.25  | 1    | Ag PLATED |
|                                   |       |            |               |      |  | $\geq 10.0mm \pm 0.3$  |               | 3   | TERMINAL B        | BRASS STRIP t=0.3 | 1    | Ag PLATED |
|                                   |       |            |               |      |  |  |               | 2   | TERMINAL A        | BRASS STRIP t=0.3 | 1    | Ag PLATED |
|                                   |       |            |               |      |  |  |               | 1   | HOUSING           | PBT UL94-V0       | 1    | BLACK     |
|                                   |       |            |               |      |  |  |               | NO. | PART NAME         | MATERIAL          | QTY. | FINISHING |