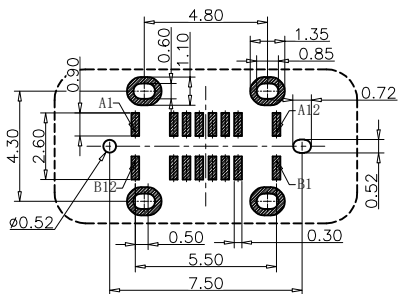
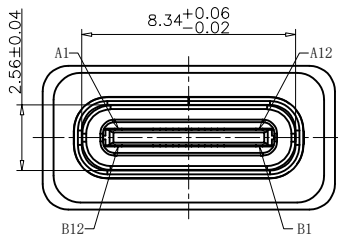
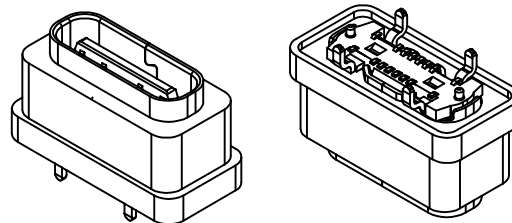
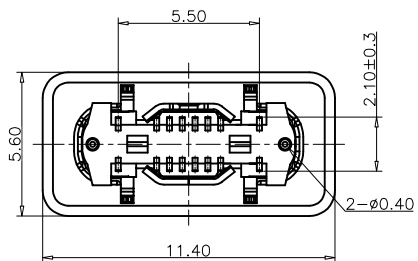
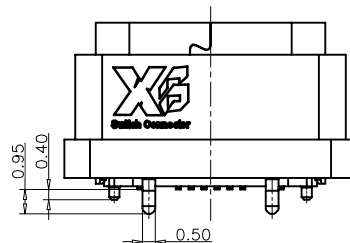
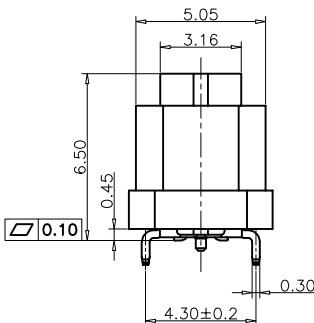
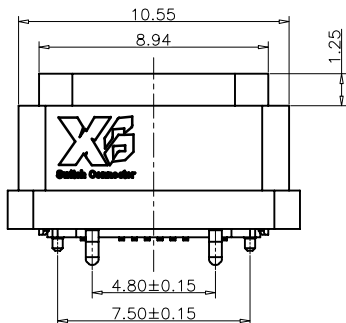


专利产品 客户图纸



RECOMMEND P.C.B LAYOUT (COMPONENT SIDE)
TOLERANCE FOR PCB LAYOUT IS ±0.05



REV.	ECN	DESCRIPTION	MDF'D	DATE
A0		新订图面	GAO. PENG	2024. 10. 18

NOTE:

- MECHANICAL PERFORMANCE,
 - INSERTION FORCE: 5~20N.
 - EXTRACTION FORCE: 8~2.0N.
 - DURABILITY: 10000 CYCLES.
- ELECTRICAL PERFORMANCE,
 - CURRENT RATING: 5.0A
VOLTAGE RATING: 5.0V
 - LLCR: VBUS & GND PINS AND OTHER PINS: 40mΩ/PIN MAX. SHIELD: 50mΩ/MAX. LLCR MAX. CHANGE OF ALL PINS: 10mΩ.
 - INSULATION RESISTANCE: 100MΩ MIN
 - DIELECTRIC WITHSTAND VOLTAGE, AC 100V FOR 1 MINUTE.
- ENVIRONMENTAL PERFORMANCE:
 - OPERATING TEMPERATURE: -25°C~+85°C.
 - IR REFLOW: THE PEAK TEMPERATURE ON THE BOARD SHALL BE MAINTAINED FOR 10 SECONDS AT 260°C.

USB TYPE C PIN ASSIGNMENTS

PIN NUMBER	SIGNAL NAME	PIN NUMBER	SIGNAL NAME
A1	GND	B12	GND
A2		B11	
A3		B10	
A4	VBUS	B9	VBUS
A5	CC1	B8	SBU2
A6	DP1	B7	DN2
A7	DN1	B6	DP2
A8	SBU1	B5	CC2
A9	VBUS	B4	VBUS
A10		B3	
A11		B2	
A12	GND	B1	GND

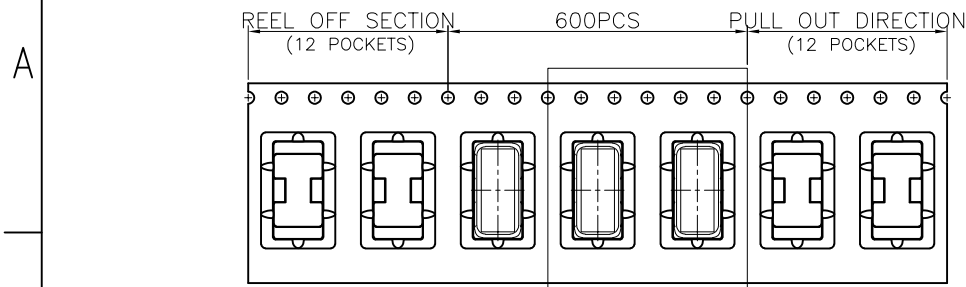
TABLE:

NO	PART	Q'TY	Material
1	SHELL	1	SUS304 STEEL, NI PLATED
2	EMI Plate	1	SUS301 STEEL, NO PLATED
3	Mid Plate	1	SUS301 STEEL, NO PLATED
4	CONTACT	16	C18150, TIN/Au3u"/NI PLATED
5	1MD HOUSING	1	LCP BLACK UL94 V-0
6	2MD HOUSING	1	LCP BLACK UL94 V-0
7	PLASTIC SHELL	1	PA BLACK UL94 V-0

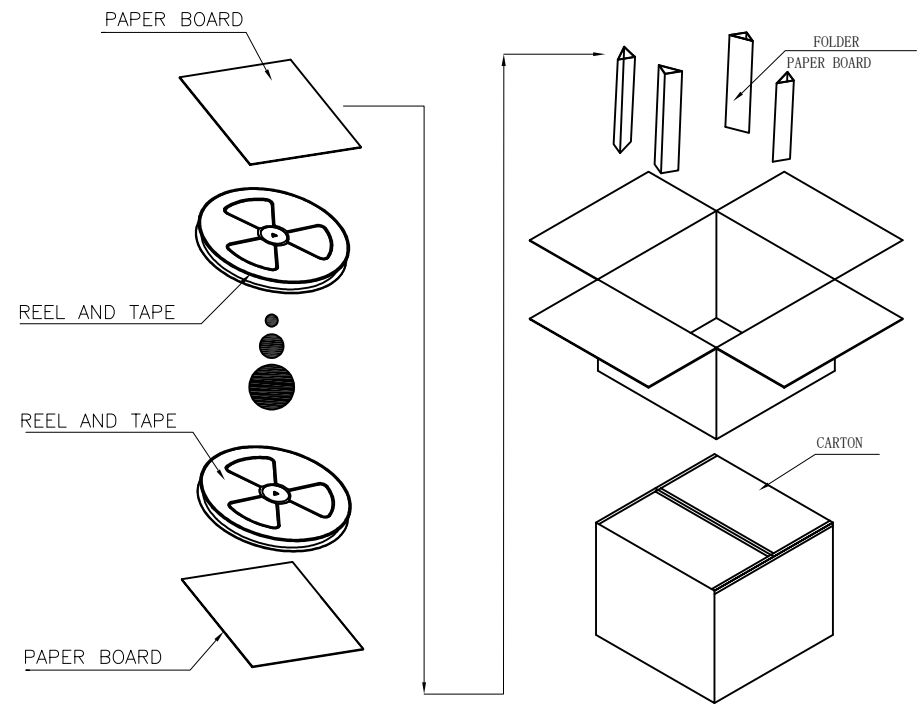
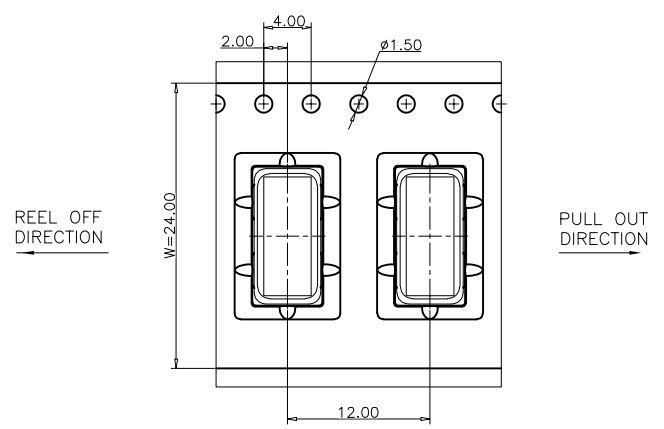
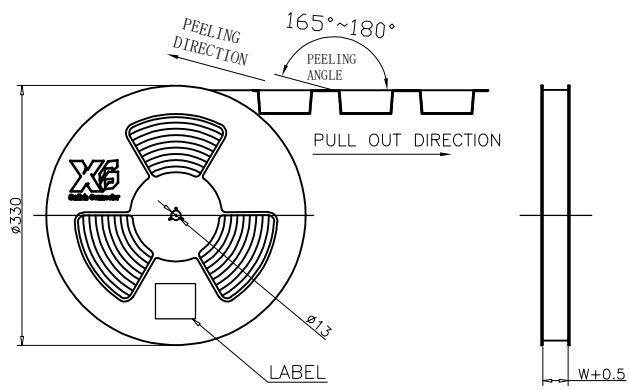
		页码 (SHEET)	1/1	单位 (UNIT): MM
		版本 (REV)	A0	比例 (SCALE) 1:1
品名 (ITEM NO)	TYPE C 16P 立贴防水母座 H=6.5 (外壳4脚)	日期 (DATE)	2024. 10. 28	
料号 (PART NO)	XB-ATCF-16-082	设计 (DESIGN)	GAO. PENG	
图号 (DWG NO)	XB-TCF-209	审核 (CHECKED)	HE. LONG. FEI	未注公差 TOLERANCE UNSPECIFIED X.X ±0.20 X.XX ±0.15 X.XXX ±0.10 X° ±5° X.X° ±2°
These drawings and specifications are the property of Dongguan Xi Bang Electronics Co., Ltd. and should not be copied. Copying or using in any way without prior written consent from Dongguan Xi Bang Electronics Co., Ltd		核准 (APPROVED)	PANG. DONG	

包装图

REV.	ECN	DESCRIPTION	MDF'D	DATE
A0		新订图面	GAO. PENG	2024. 10. 18



SEE DETAIL X



	REEL	CARTON
CONNECTOR (PCS)	600	6000

东莞市溪榜电子有限公司 DONG GUAN XI BANG ELECTRONICS CO., LTD.		页码 (SHEET)	1/1	单位 (UNIT): MM
		版本 (REV)	A0	比例 (SCALE) 1:1
品名 (ITEM NO)	TYPE C 16P 立贴防水母座H=6.5系列-包装规范	日期 (DATE)	2024. 10. 28	未注公差 TOLERANCE UNSPECIFIED X.X ±0.20 X.XX ±0.15 X.XXX ±0.10 X° ±5° X.X° ±2°
料号 (PART NO)	XB-ATCF-16-082	设计 (DESIGN)	GAO. PENG	
图号 (DWG NO)	XB-TCF-209	审核 (CHECKED)	HE. LONG. FEI	
		核准 (APPROVED)	PANG. DONG	

These drawings and specifications are the property of Dongguan Xi Bang Electronics Co., Ltd. and should not be copied. Copying or using in any way without prior written consent from Dongguan Xi Bang Electronics Co., Ltd