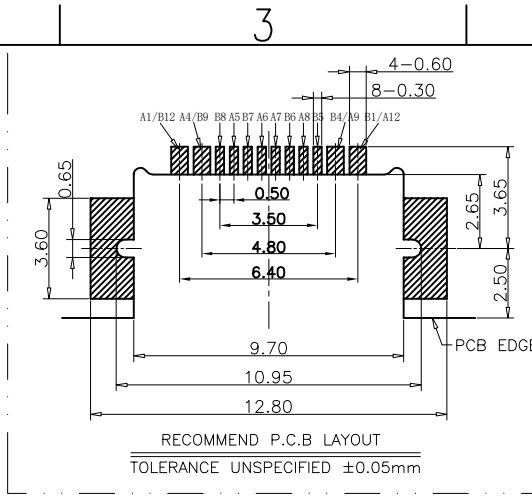
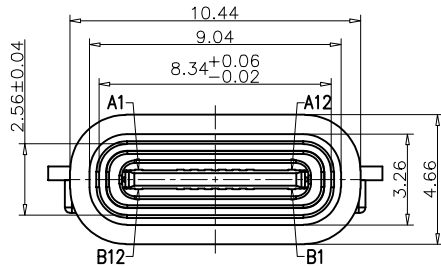
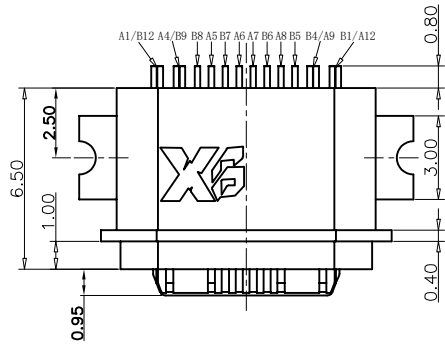
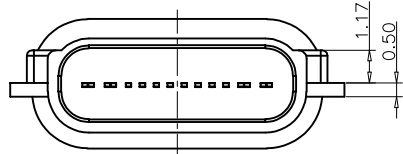
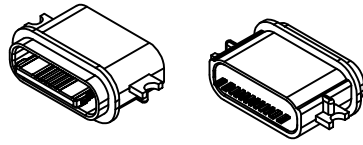
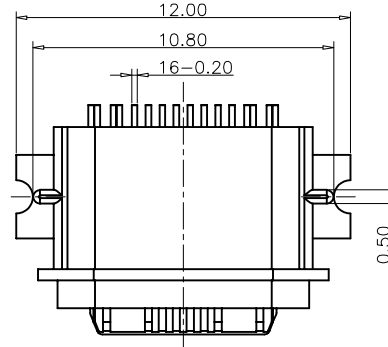
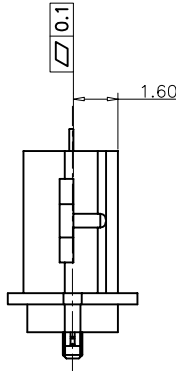


专利产品



RECOMMEND P.C.B LAYOUT
TOLERANCE UNSPECIFIED ±0.05mm



REV.	ECN	DESCRIPTION	MDF'D	DATE
A0		新订图面	GAO. PENG	2024. 10. 18

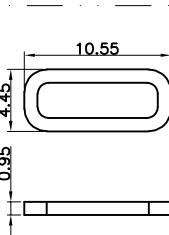
- NOTES:
SPECIFICATION:
1.CURRENT RATING: 5A
2.VOLTAGE RATING: 20V
3.VBUS & GND PINS AND OTHER PINS: 40mΩ/PIN MAX
SHIELD: 50mΩ/MAX
LLCR MAX. CHANGE OF ALL PINS: 10Ωm
4.INSULATION RESISTANCE: 100MΩ MIN
5.DIELECTRIC WITHSTAND VOLTAGE,AC 100V FOR 1MINUTE
6.INSERTION FORCE: 0.5~2.0kgf
7.UNMATING FORCE: 0.8-2.0kgf
8.DURABILITY: 10000 CYCLES
9.OPERATING TEMPERATURE: -35°C~+85°C
10.THE PEAK TEMPERATURE ON THE BOARD SHALL BE MAINTAINED FOR 10 SECONDS AT 210-230°C
11.WATERPROOF:IP-X7.

USB TYPE C PIN ASSIGNMENTS

PIN NUMBER	SIGNAL NAME	PIN NUMBER	SIGNAL NAME
A1	GND	B12	GND
A4	VBUS	B9	VBUS
A5	CC1	B8	SBU2
A6	DP1	B7	DN2
A7	DN1	B6	DP2
A8	SBU1	B5	CC2
A9	VBUS	B4	VBUS
A12	GND	B1	GND

TABLE:

NO	PART	Q'TY	Material
1	SHELL	1	ZINC ALLOG,NI30u"Min PLATED
2	CONTACT	16	C7025,TIN80u"/Au3u"/NI30u"PLATED
3	MID PLATE	1	SUS301,NO PLATING
4	HOUSING	1	LCP(E130i) UL94 V-0 BLACK
5	WATERPROOF RING	1	SILICONE(SI/60-65A) UL94 V-0 BLACK



防水圈图示

东莞市溪榜电子有限公司
DONG GUAN XI BANG ELECTRONICS CO., LTD.

品名 (ITEM NO) TYPE C 16P 防水母座沉板1.6 L=6.5mm (粉末金外壳)

料号 (PART NO) XB-ATCF-16-004E

图号 (DWG NO) XB-ATCF-16-004E

页码 (SHEET) 1/1 单位(UNIT): MM

版本 (REV) A0 比例(SCALE) 1:1

日期 (DATE)

设计 (DESIGN)

审核 (CHECKED)

核准 (APPROVED)

未注公差
TOLERANCE UNSPECIFIED

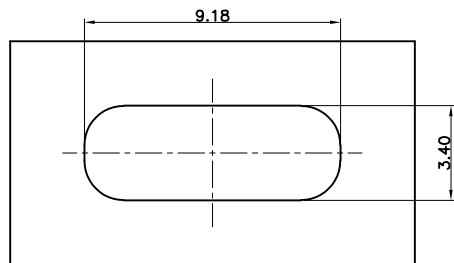
X.X	±0.20
X.XX	±0.15
X.XXX	±0.10
X°	±5°
X.X°	±2°

These drawings and specifications are the property of Dongguan Xi Bang Electronics Co., Ltd. and should not be copied. Copying or using in any way without prior written consent from Dongguan Xi Bang Electronics Co., Ltd

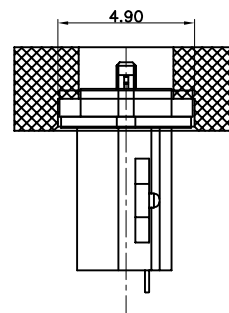
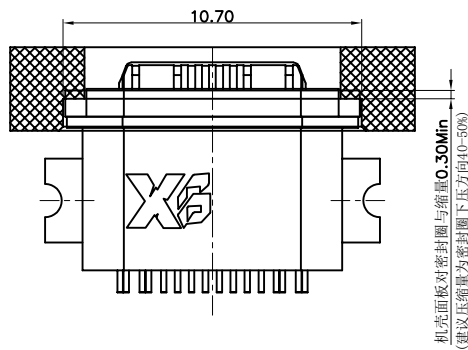
专利产品



REV.	ECN	DESCRIPTION	MDF'D	DATE
A0	—	新订图面	GAO. PENG	2024. 10. 18



密封开孔参考尺寸(只供参考)
 组装外壳时需要打环保润滑油

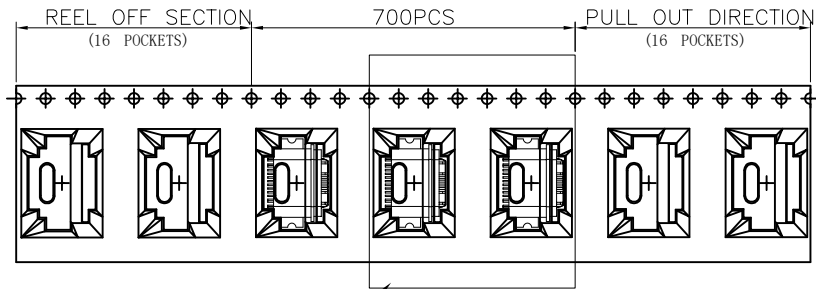


东莞市溪榜电子有限公司 DONG GUAN XI BANG ELECTRONICS CO., LTD.	页码 (SHEET)	1/1	单位 (UNIT): MM
	版本 (REV)	A0	比例 (SCALE) 1:1
品名 (ITEM NO)	直压密封建议尺寸	日期 (DATE)	2024. 10. 28
料号 (PART NO)	XB-ATCF-16-004E	设计 (DESIGN)	GAO. PENG
图号 (DWG NO)		审核 (CHECKED)	HE. LONG. FEI
		核准 (APPROVED)	PANG. DONG

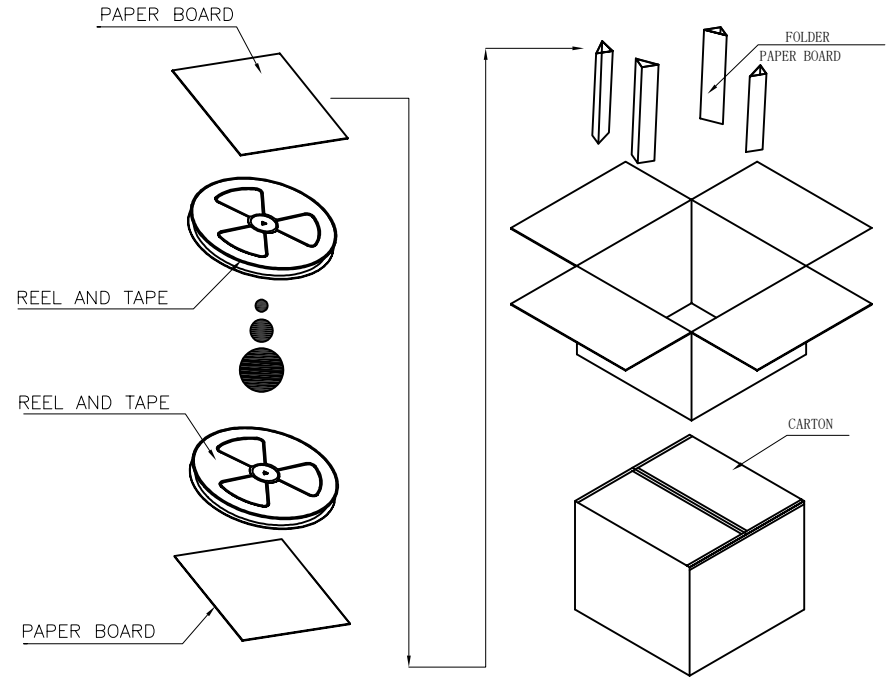
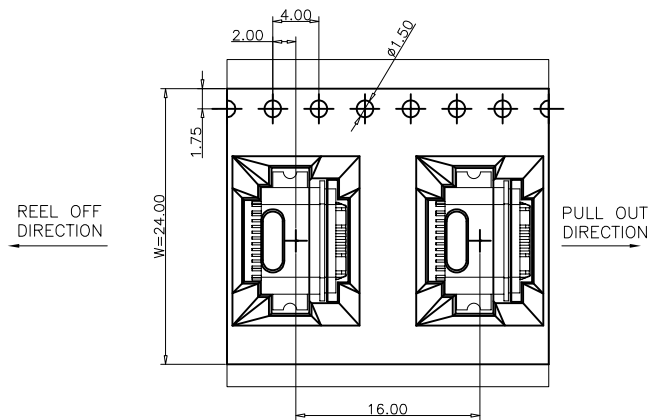
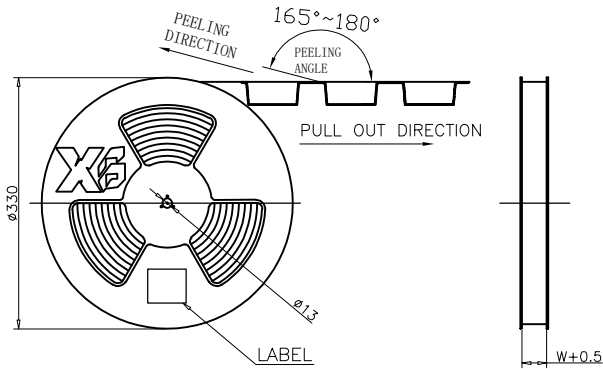
These drawings and specifications are the property of Dongguan Xi Bang Electronics Co., Ltd. and should not be copied. Copying or using in any way without prior written consent from Dongguan Xi Bang Electronics Co., Ltd

包装图

REV.	ECN	DESCRIPTION	MDF'D	DATE
A0		新订图面		



SEE DETAIL X



	REEL	CARTON
CONNECTOR (PCS)	700	7000

东莞市溪榜电子有限公司 DONG GUAN XI BANG ELECTRONICS CO., LTD.		页码 (SHEET)	1/1	单位 (UNIT): MM
		版本 (REV)	A0	比例 (SCALE) 1:1
品名 (ITEM NO)	TYPE C 16P 防水母座板上/沉板 -包装规范	日期 (DATE)	2024. 10. 28	未注公差 TOLERANCE UNSPECIFIED X.X ±0.20 X.XX ±0.15 X.XXX ±0.10 X° ±5° X.X° ±2°
料号 (PART NO)	GXDX-01-009	设计 (DESIGN)	GAO. PENG	
图号 (DWG NO)	TCBG-018	审核 (CHECKED)	HE. LONG. FEI	
		核准 (APPROVED)	PANG. DONG	

These drawings and specifications are the property of Dongguan Xi Bang Electronics Co., Ltd. and should not be copied. Copying or using in any way without prior written consent from Dongguan Xi Bang Electronics Co., Ltd