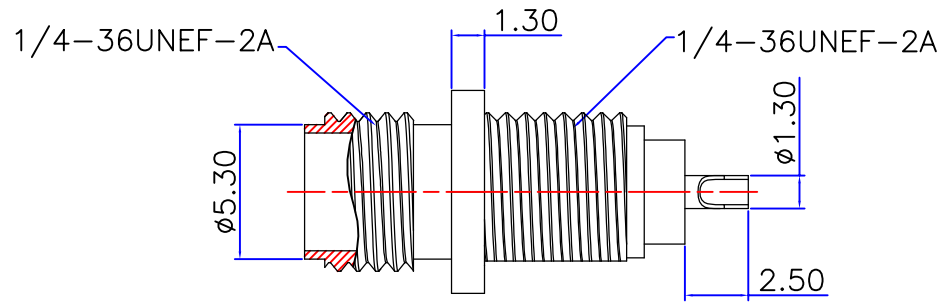
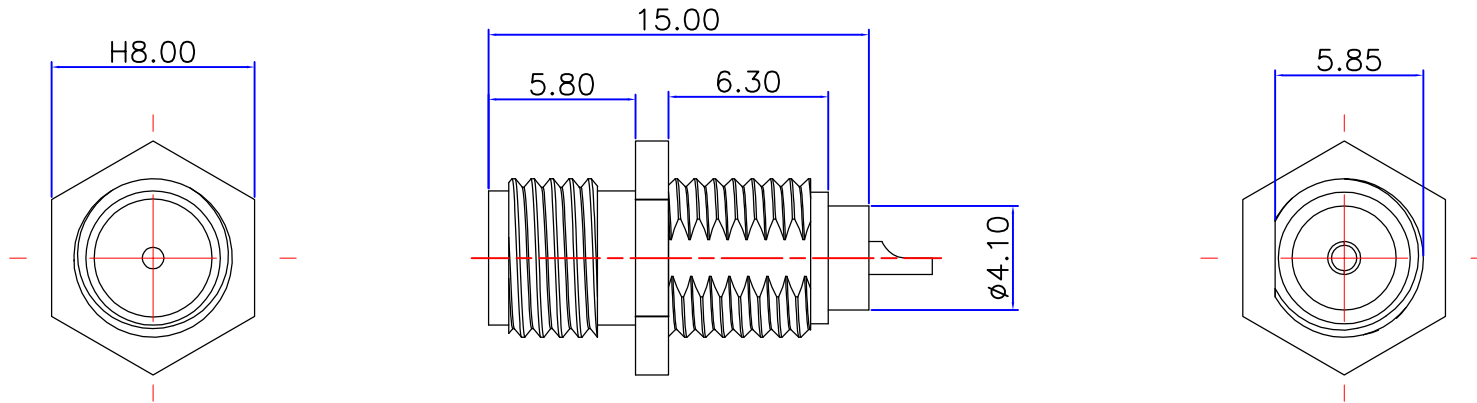




PRODUCT NO:		806FCS0002		
REV	DESCRIPTION	DWN	DATE	APPROVEN
A	FIRST ISSUE	W.cheng	2019/10/25	John kine
B				



**SPECIFICATIONS:**

IMPEDANCE: 50 ohms  
 FREQUENCY RANGE: 0~6GHZ  
 VSWR: 1.5MAX  
 WORKING VOLTAGE: 500V RMS@SEA LEVEL  
 INSULATION RESISTANCE: 5000 ohms min  
 TEMPERATURE RANGE: -65°C TO +165°C  
 RELATIVE TEMPERATURE: ≤ 95%(40°C±2°C)

1	BOD	BRASS	GOLD	1
2	INSULATOR	TEFION	WHITE	1
3	CONTACT PIN	BRASS	GOLD	1
4				
5				
6				
7				
8				
9				
10				
NO	COMPONENT NUMBER	MATERIAL	FINISH	QTY
	A	B		

NOTE:	
DRAWN	019/10/25
CHECKED	
APPROVALS	
C	

TOIERANCE	UNLESS OTHER WISPECIFIED TOLERANCES IN INCHES ARE 0.5-8MM±0.020MM 8-30MM±0.40MM 30-120MM±0.50MM
VIEW	
UNIT	MM
SCALE	1 : 1
D	

**东莞市溪榜电子有限公司**  
 Switch Connector DONG GUAN XI BANG ELECTRONICS CO., LTD

NAME: ONNECTOR	
SIZE A	PRODUCT NO: XB-806FCS0002
DATETIME	CAD FILE
019/10/25	H/companydrawings/BD
SHEET: 1 OF 1	
F	G