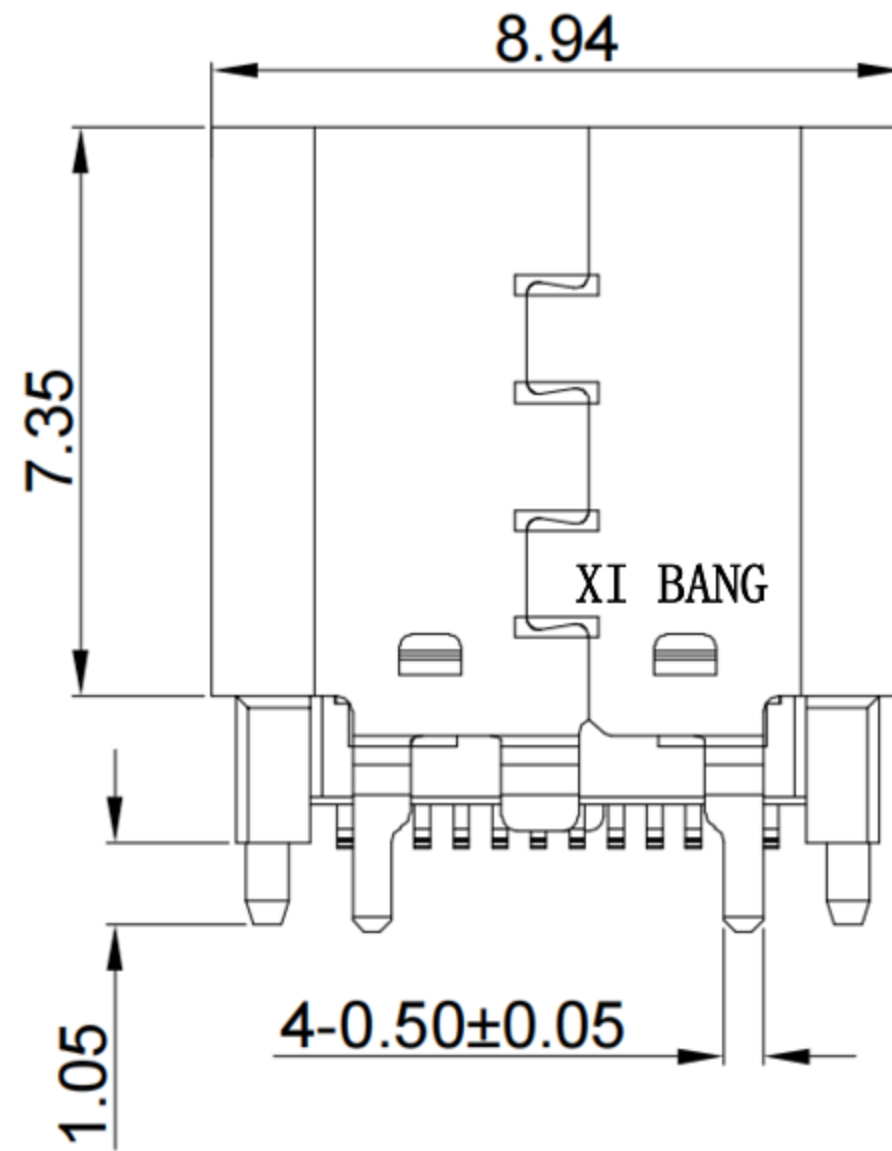
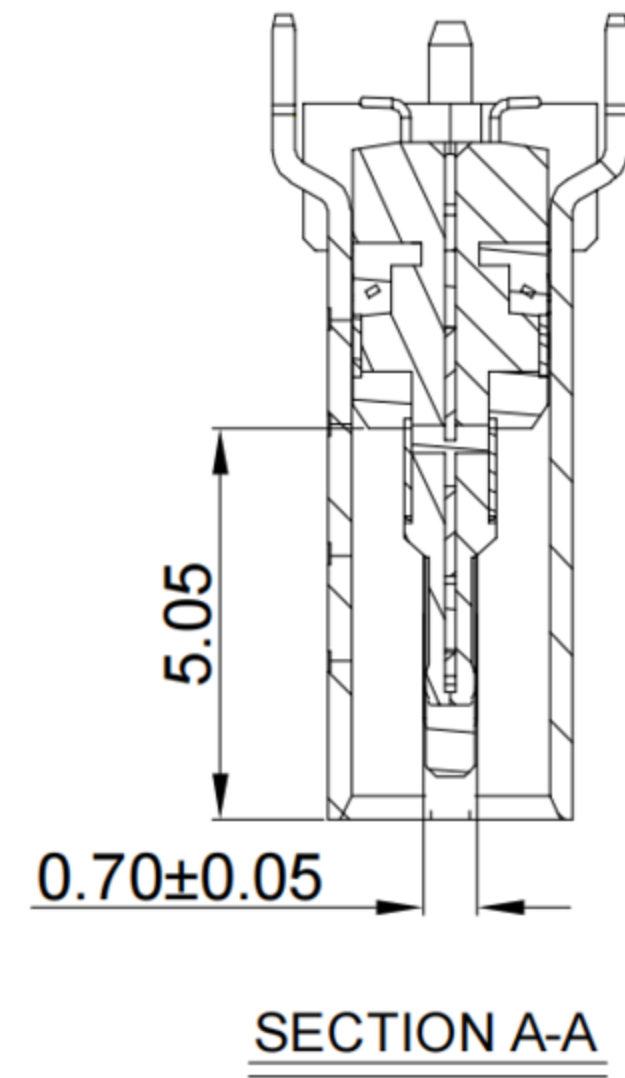
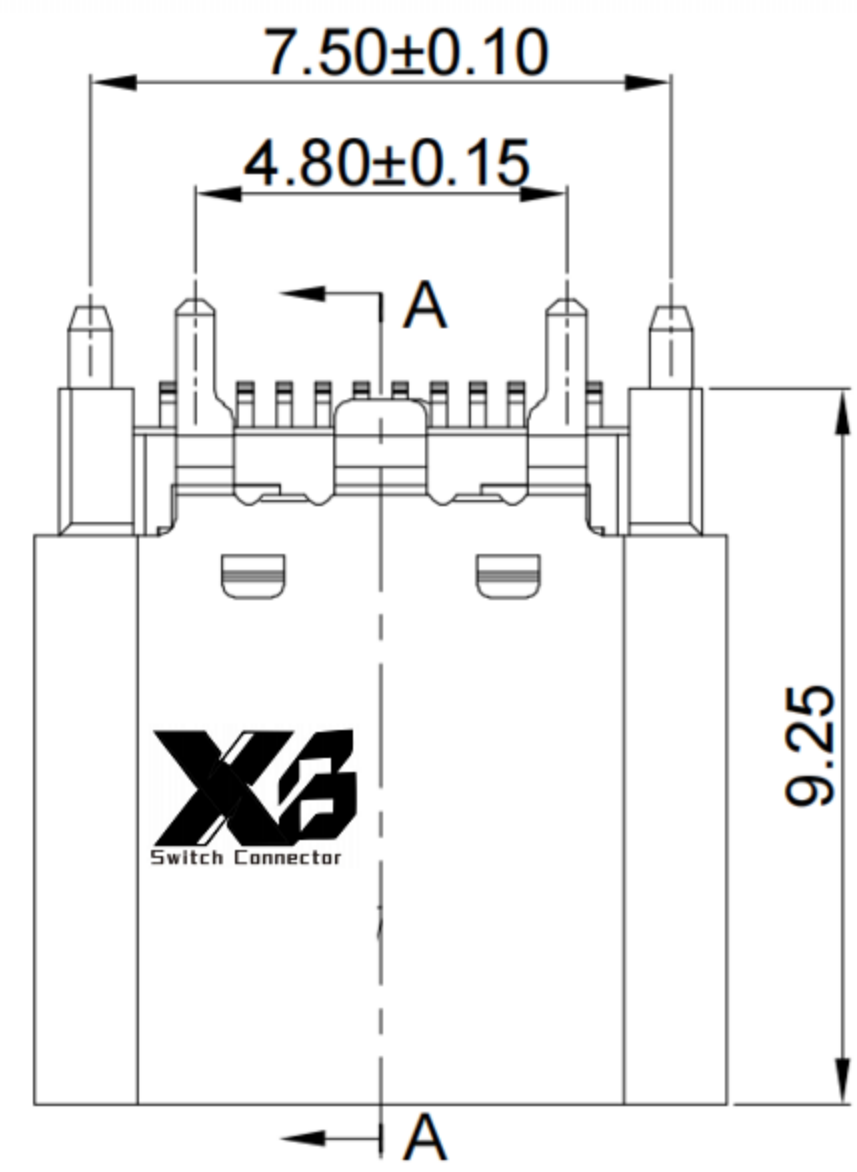


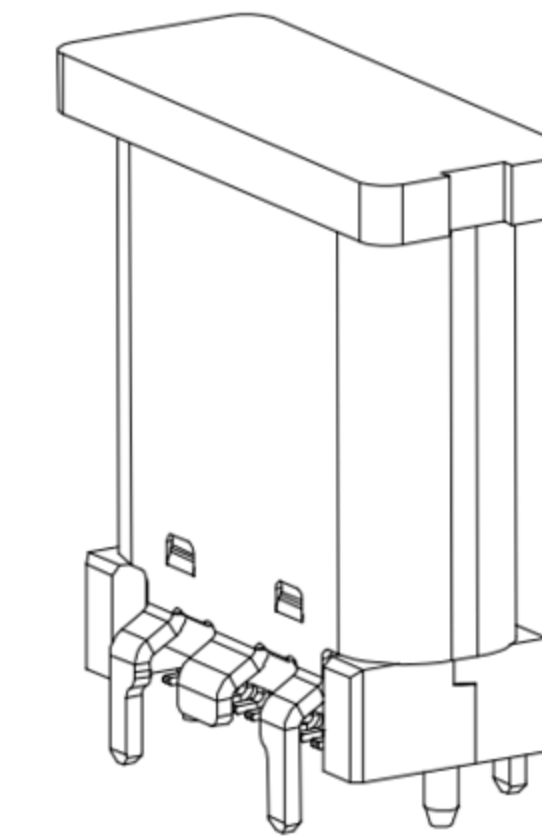
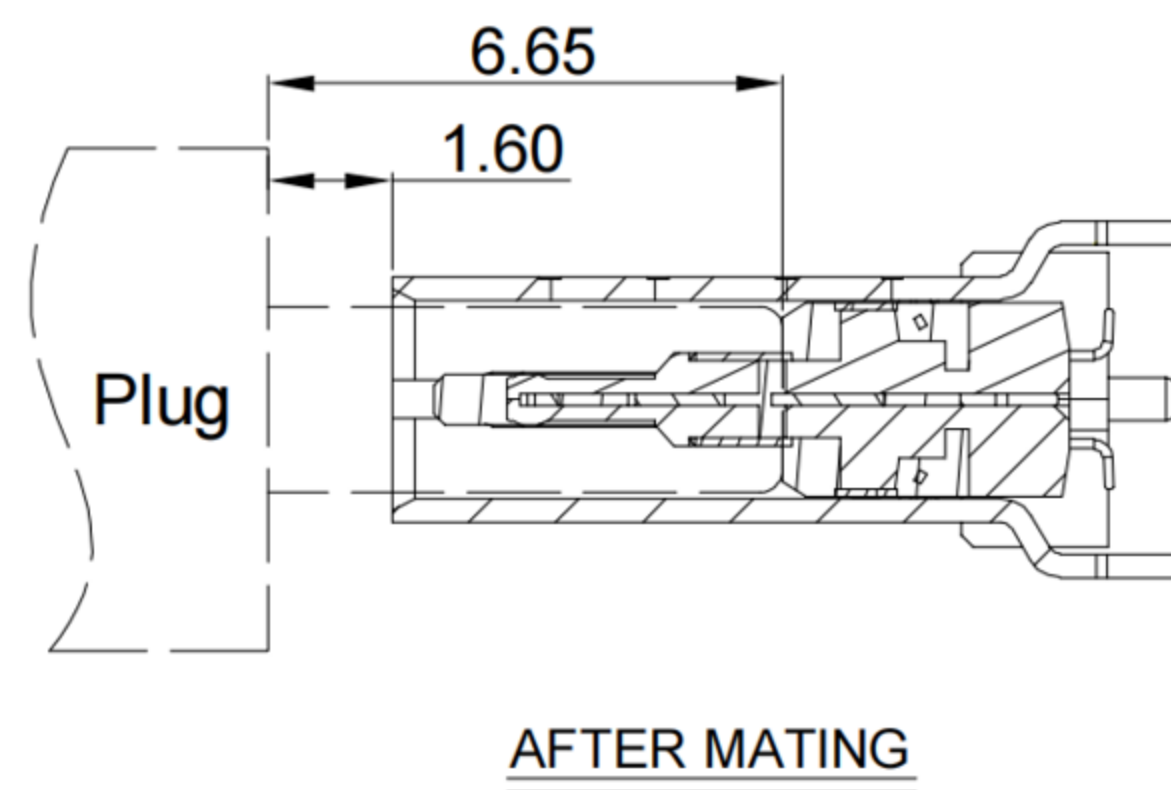
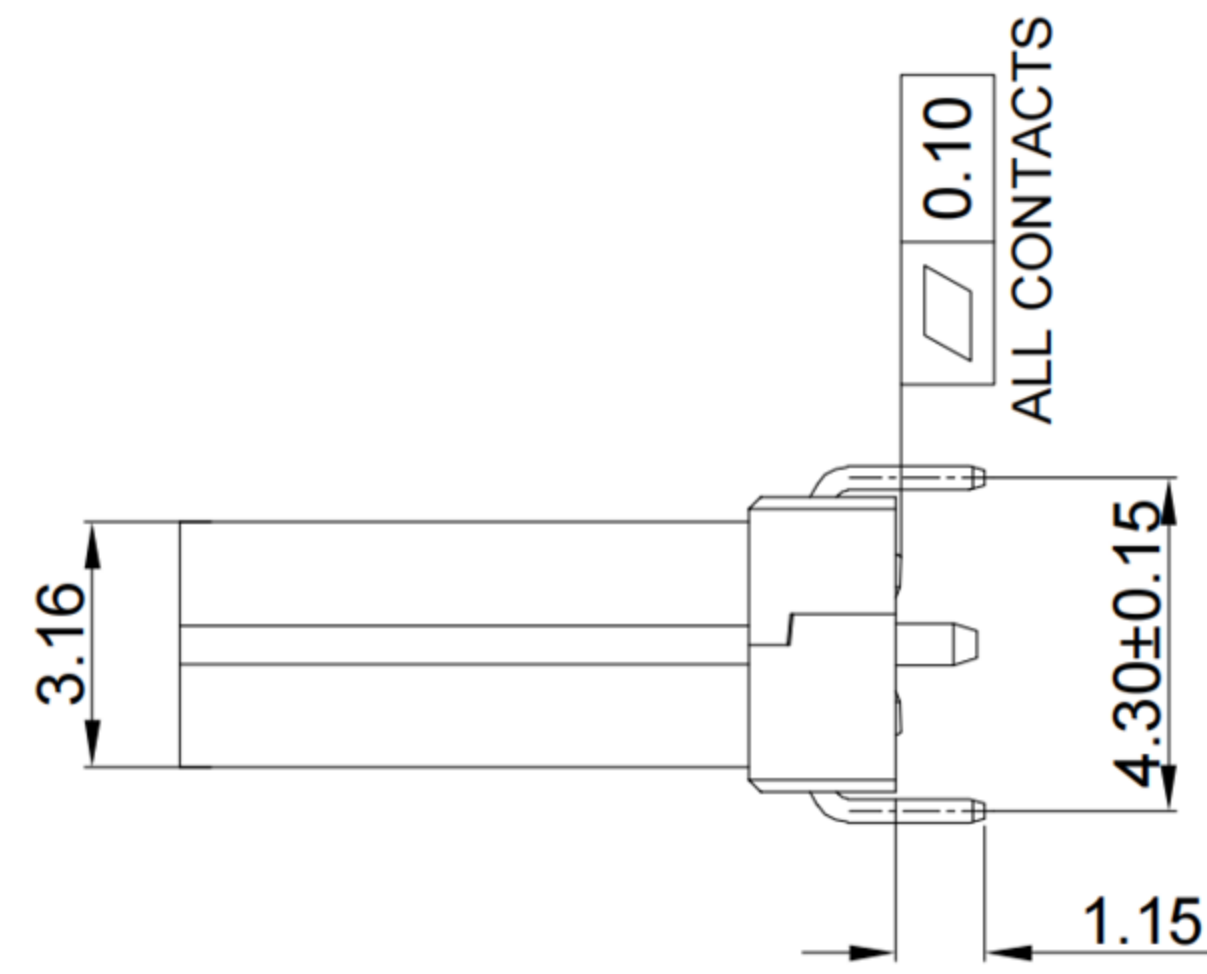
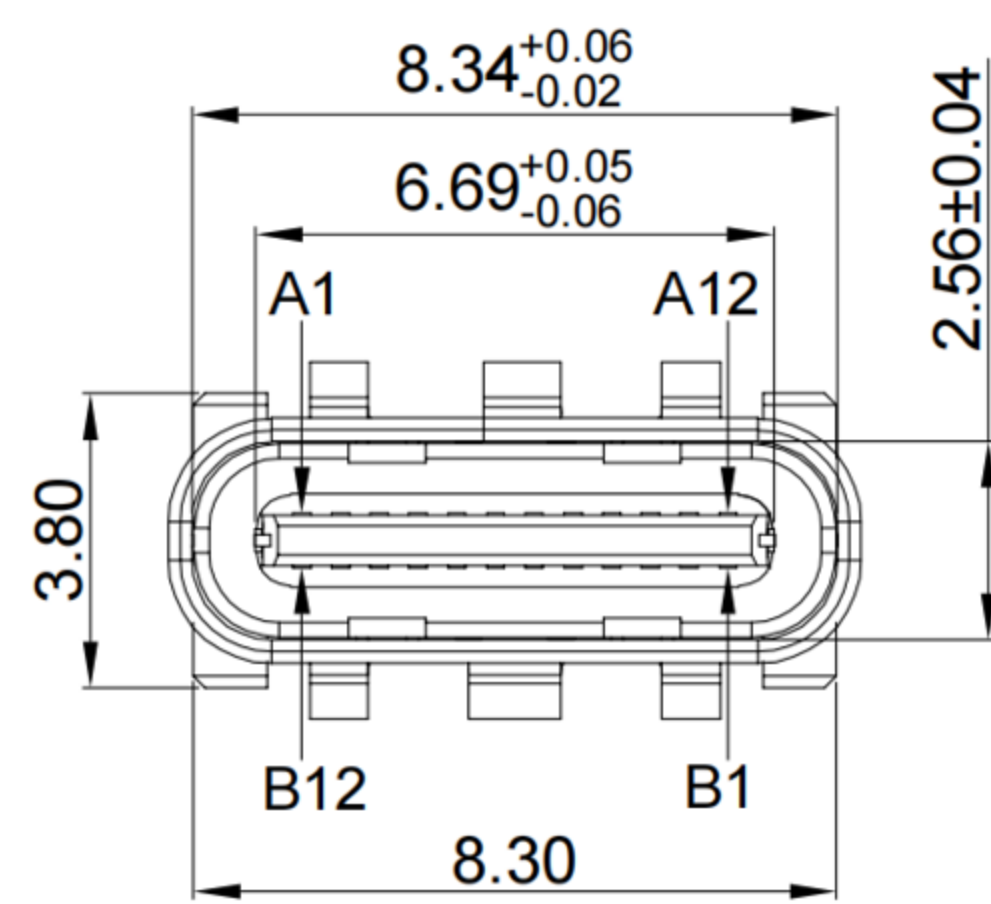


鍍層厚度:

Blank : 1u"
2 : 15u"
3 : 30u"



A1	A2	A3	A4	A5	A6	A7	A8	A9	A10	A11	A12
GND	TX1+	TX1-	VBUS	CC1	D+	D-	SBU1	VBUS	RX2-	RX2+	GND
First	Second	Second	First	Second	Second	Second	Second	First	Second	Second	First
B12	B11	B10	B9	B8	B7	B6	B5	B4	B3	B2	B1
GND	RX1+	RX1-	VBUS	SBU2	D-	D+	CC2	VBUS	TX2-	TX2+	GND
First	Second	Second	First	Second	Second	Second	Second	First	Second	Second	First



**SPECIFICATIONS**

**Electrical:**

1. Rating: 5.0A (V BUS&GND), 0.25A (Other Pin)
2. Voltage rating: 12V 24V AC
3. Contact Resistance: 40 mΩ Max
4. Insulation Resistance: 100 MΩ Min
5. Dielectric Withstanding Voltage: 100V AC
6. Operating temperature: -40° C ~ +85° C
7. Waterproof grade: IP 50
8. Durability cycle: 10,000 cycles

**Mechanical:**

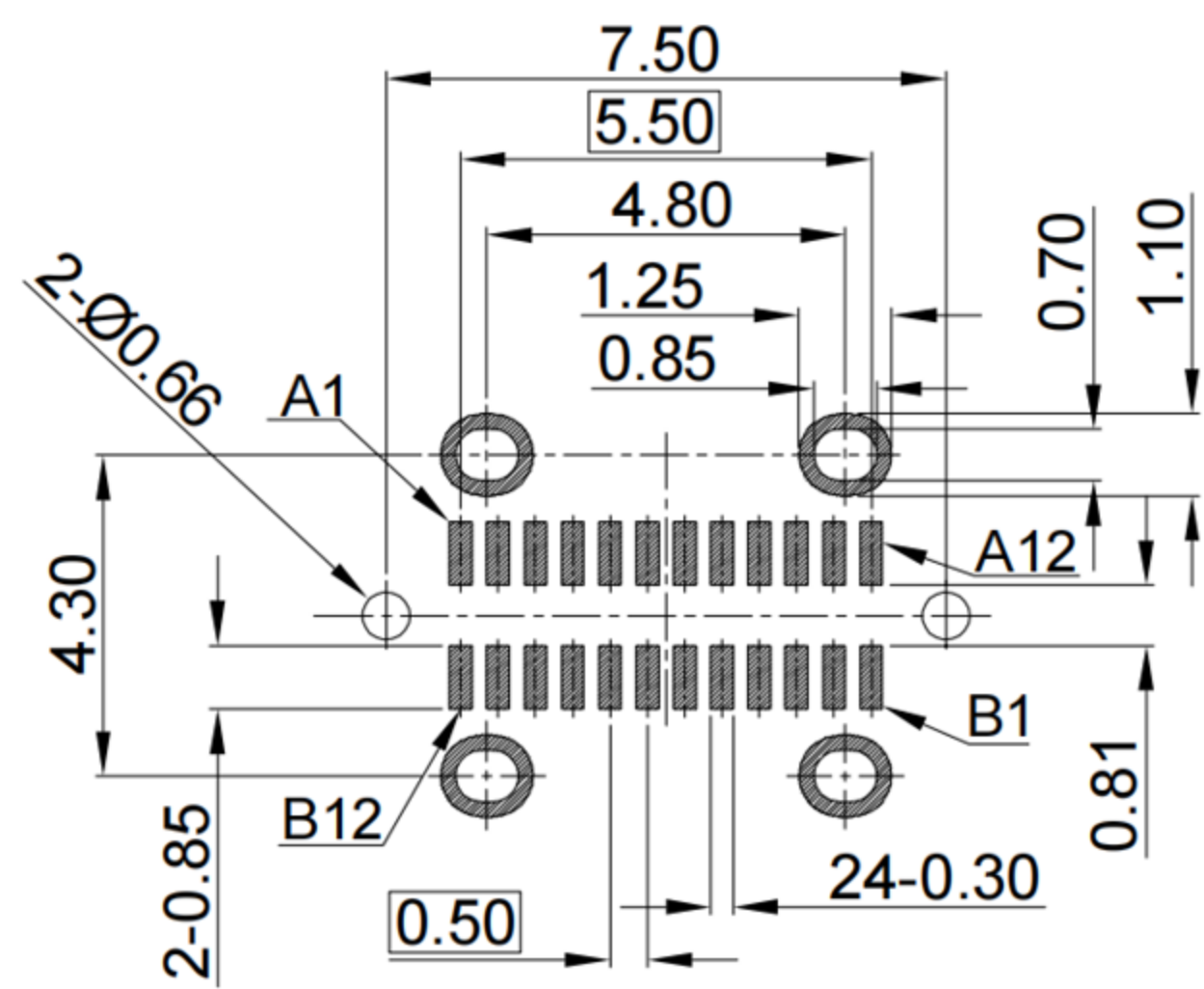
1. Connector Mate and Unmate Force
  - 1.1 Mate force: 5~20 N .
  - 1.2 Unmate force: 8~20 N

**Material:**

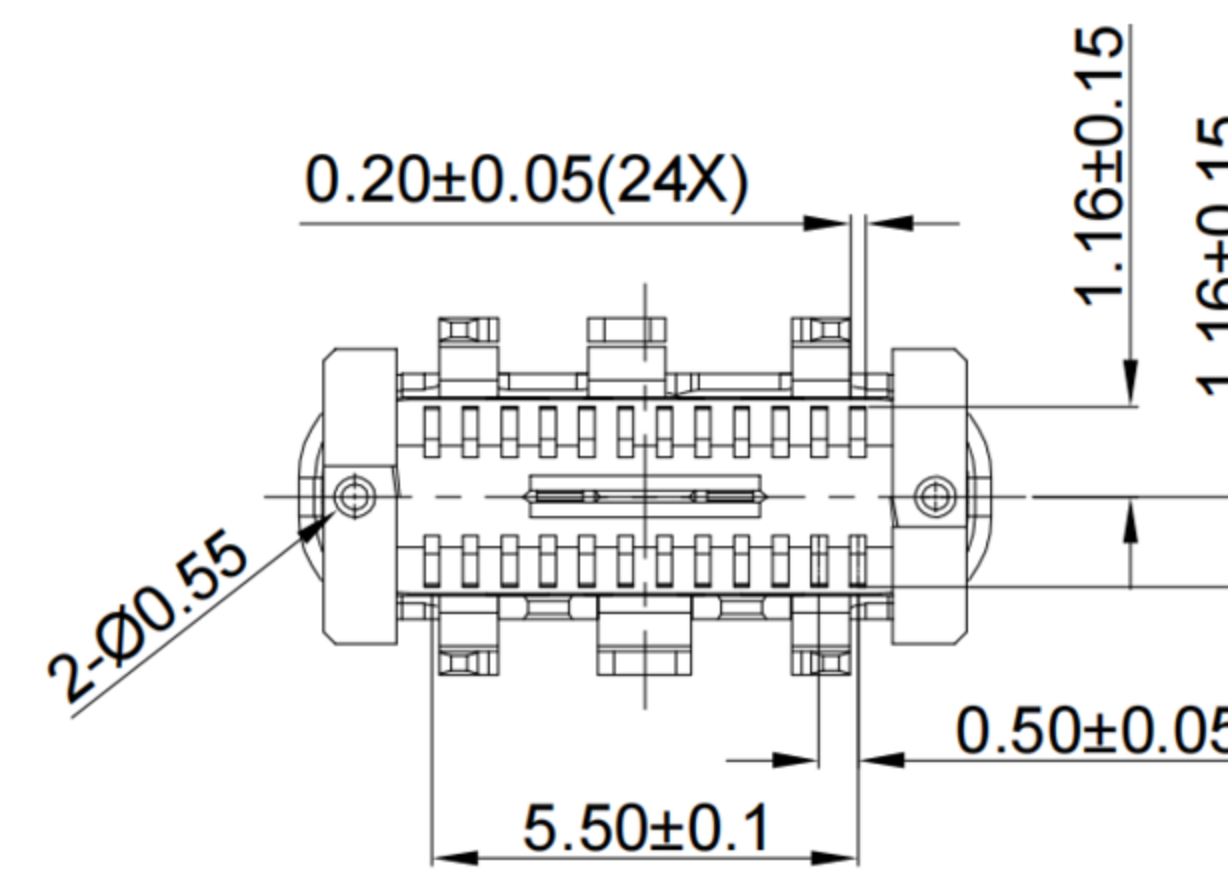
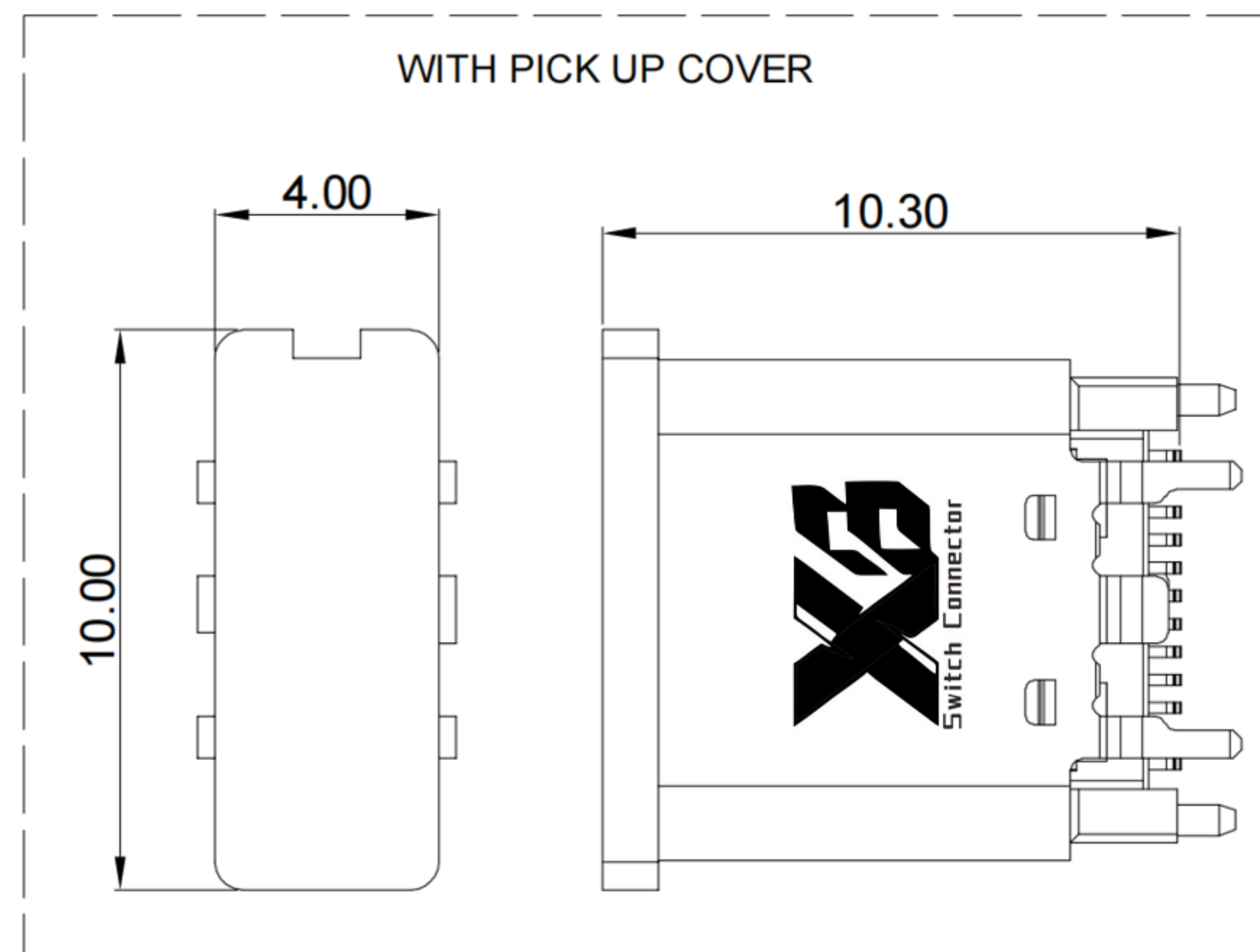
1. Housing: LCP
2. Contact: C18400
3. Shell: SUS
4. O-ring: Silicone

**Finish:**

1. Contact: Plated Gold in Mating Area ; Tin Plated on Solder Balls ; Nickel under plated overall
2. Shell: Nickel under Plated surface layer



RECOMMENDED PCB LAYOUT  
TOLERANCE: ±0.05



**XB** 东莞市溪榜电子有限公司  
DONG GUAN XI BANG ELECTRONICS CO., LTD.

TOLERANCE UNLESS OTHERWISE STATED:  
Up to 5 ±0.2  
Above 5 ~ 15 ±0.3  
Above 15 ~ 30 ±0.4  
Above 30 ~ 50 ±0.5  
Angle ±0.3°

3RD. ANGEL'S

UNITS MM

DRAWN BY:	DATE	MAT'L	TITLE	CONNECTOR
Jack Lu	03/10/22		MODLE	Vertical Type-c 24P Female SMT H=9.25mm
CHECKED BY:	DATE	FINISH	DWG NO.	XB-USB-C-2439
Jacky Chen	03/10/22		SCALE	
APPROVED BY:	DATE	SHEET NO.	PART NO.	
Tony Kao	03/10/22	1 of 1		

1	更新圖面	Jack	031022
ITEM NO.	DESCRIPTION	DRAWN	DATE