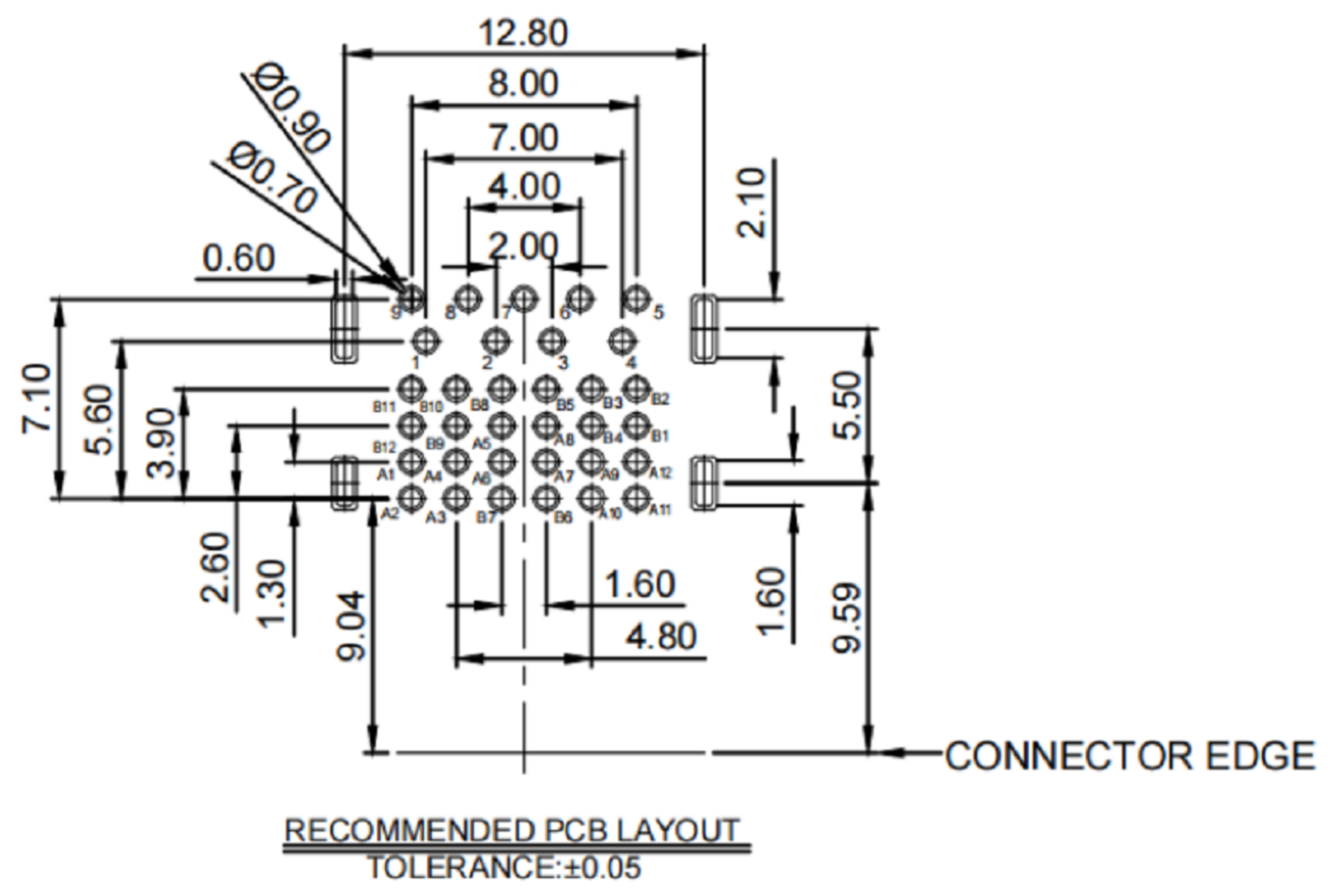
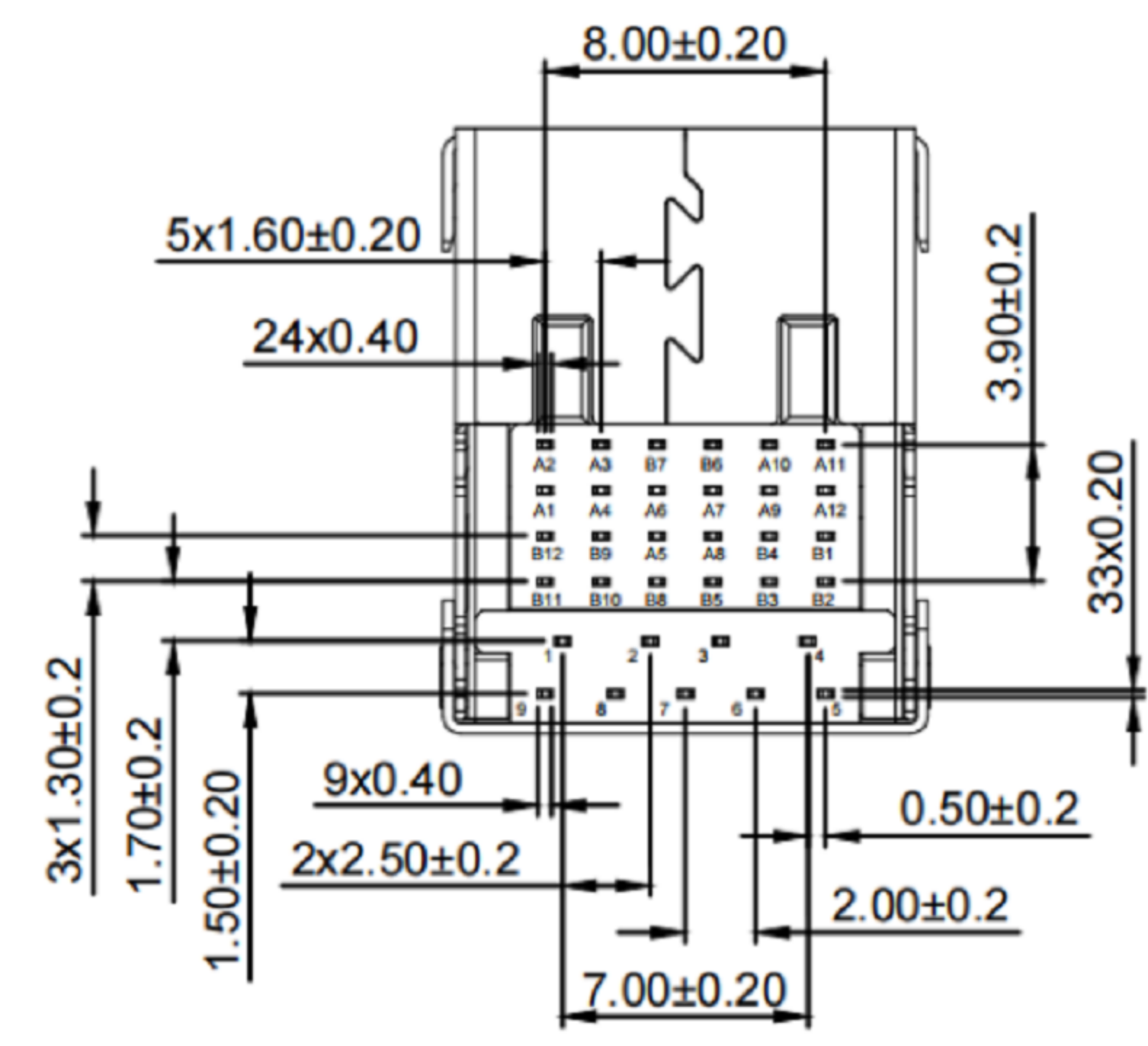
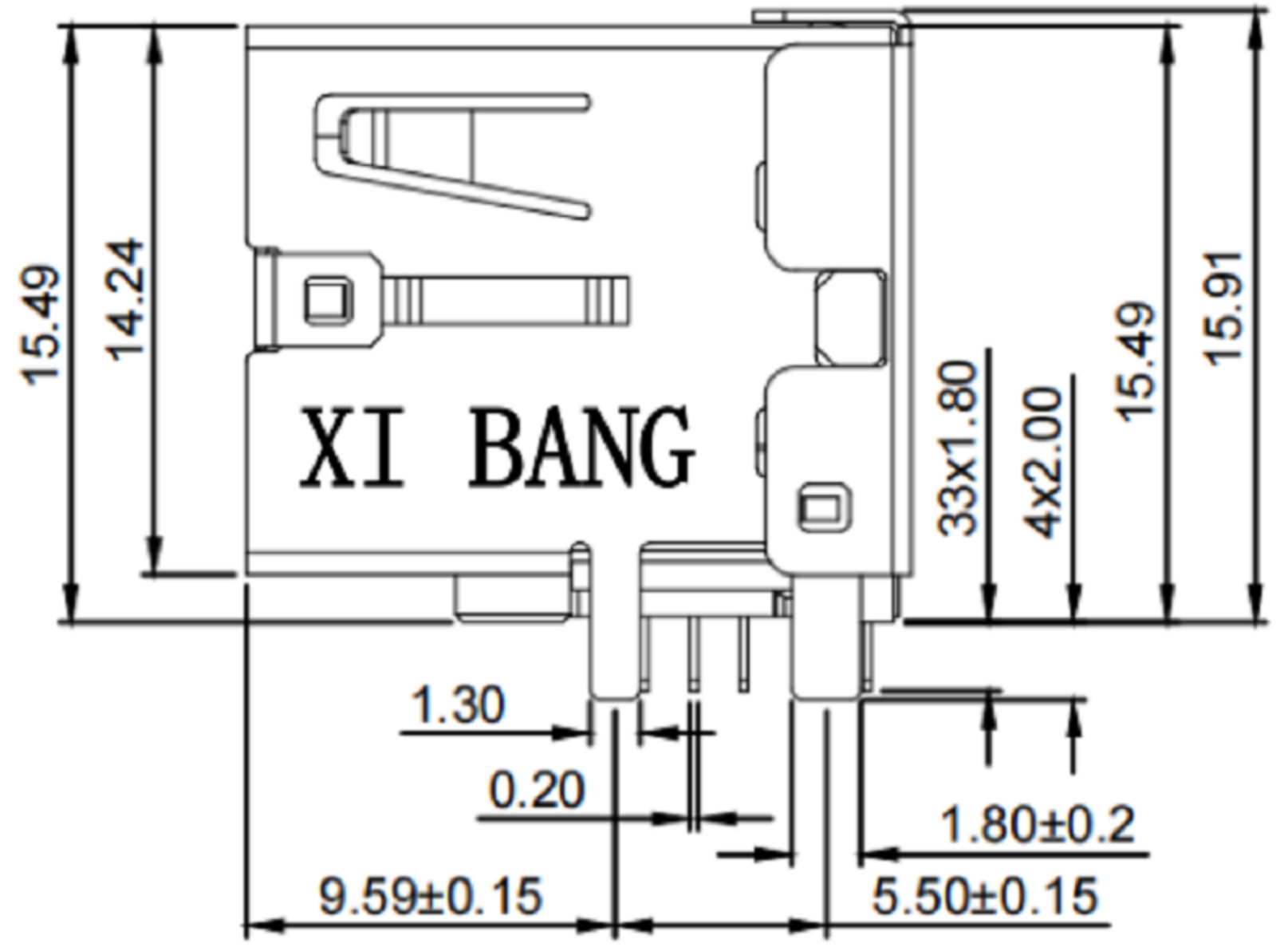
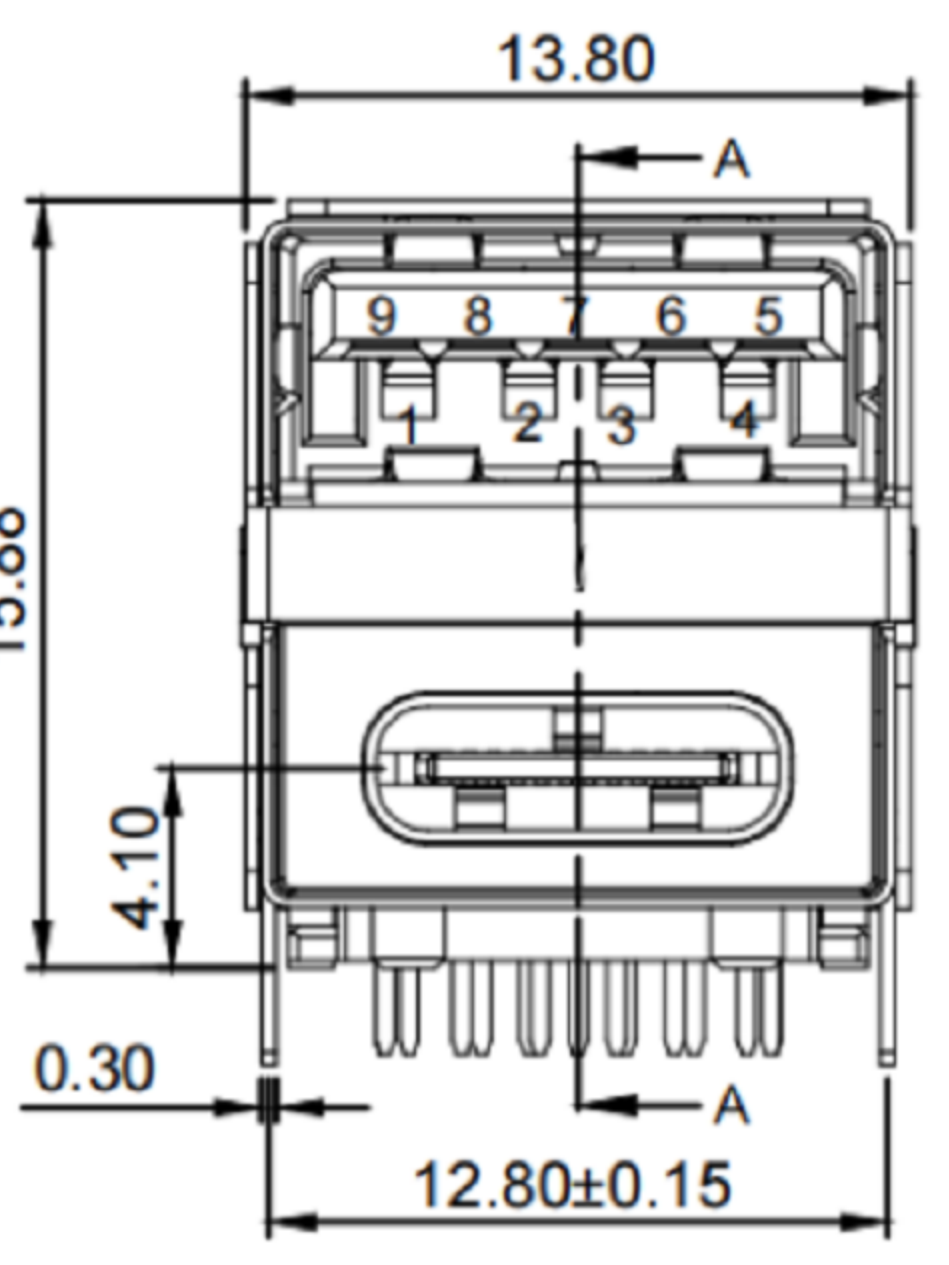
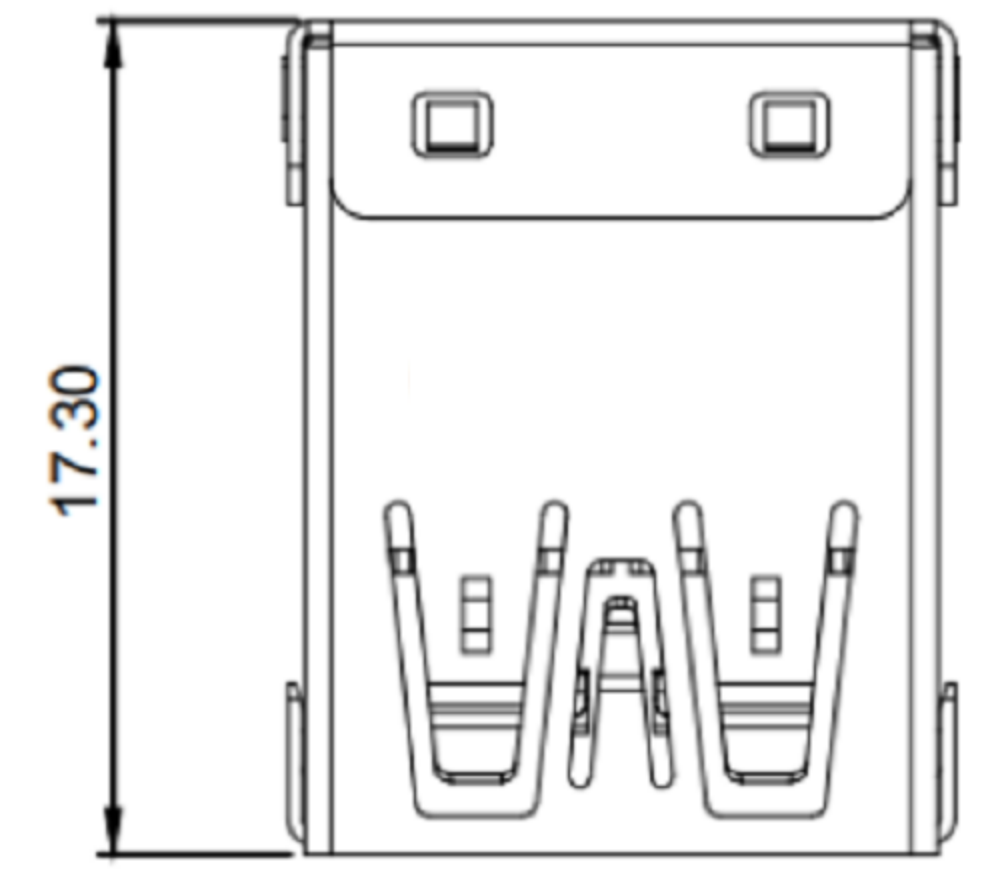
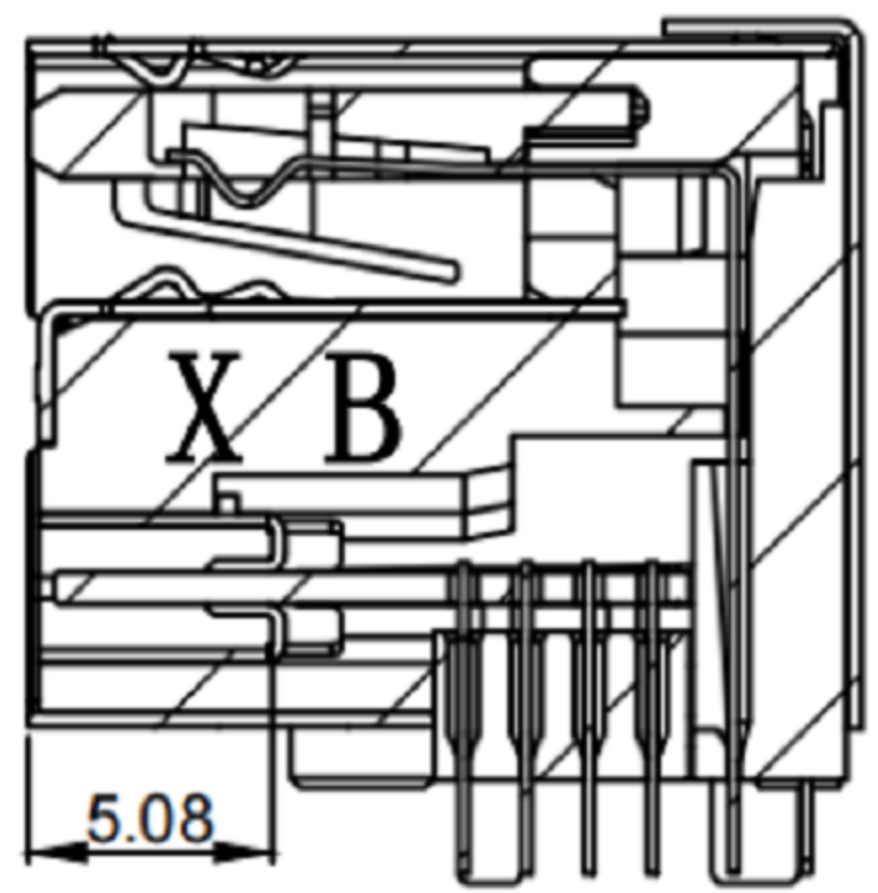
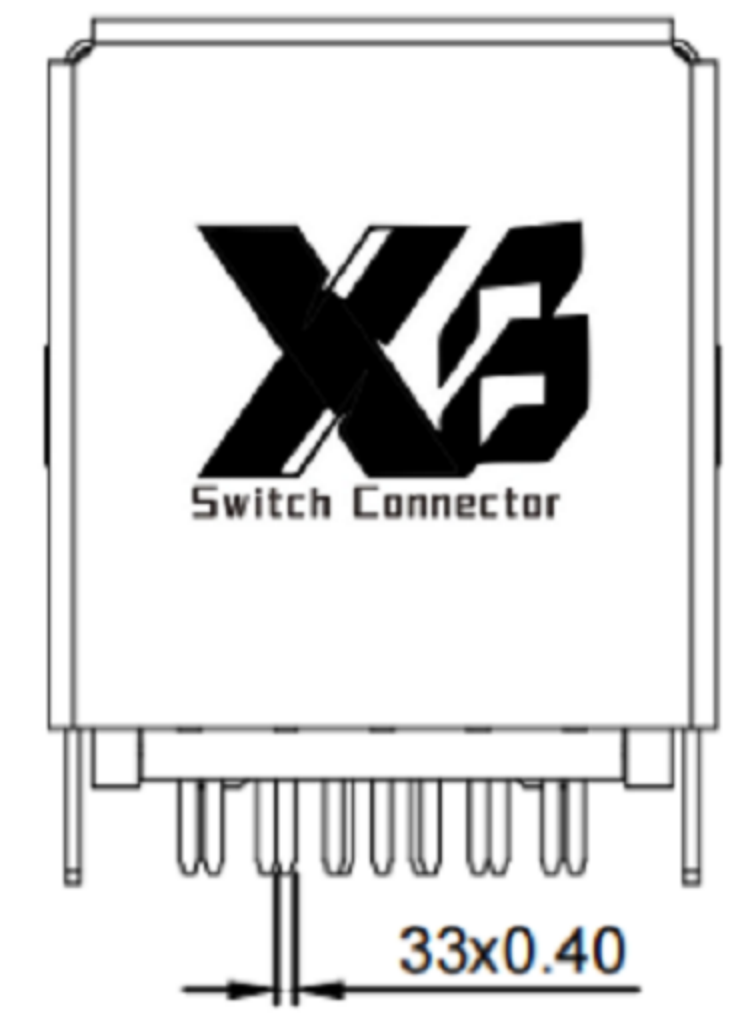
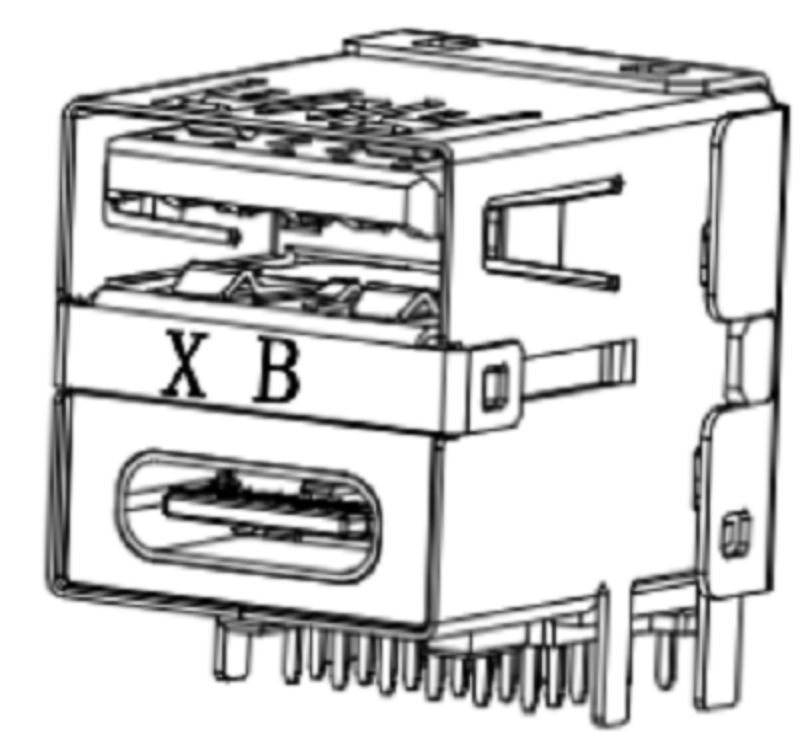




鍍層厚度:

Blank : 1u"
2 : 15u"
3 : 30u"



SPECIFICATIONS

- Electrical:**
1. Rating: 3.0A (V BUS&GND), 0.25A (Other Pin)
 2. Voltage rating: 12V 24V AC
 3. Contact Resistance: 40 mΩ Max
 4. Insulation Resistance: 100 MΩ Min
 5. Dielectric Withstanding Voltage: 100V AC
 6. Operating temperature: -40° C ~ +85° C
 7. Waterproof grade: IP 50
 8. Durability cycle: 10,000 cycles

- Mechanical:**
1. Connector Mate and Unmate Force
 - 1.1 Mate force: 5~20 N .
 - 1.2 Unmate force: 8~20 N

- Material:**
1. Housing: LCP
 2. Contact: C18400
 3. Shell: SUS
 4. O-ring: Silicone

- Finish:**
1. Contact: Plated Gold in Mating Area ; Tin Plated on Solder Balls ; Nickel under plated overall
 2. Shell: Nickel under Plated surface layer

TYPE-A PIN DEFINE	1	2	3	4	5	6	7	8	9		
	VBUS	D-	D+	GND	StdA_SSRX-	StdA_SSRX+	GND_DRAIN	StdA_SSTX-	StdA_SSTX+		
A1	A2	A3	A4	A5	A6	A7	A8	A9	A10	A11	A12
GND	TX1+	TX1-	VBUS	CC1	D+	D-	SBU1	VBUS	RX2-	RX2+	GND
First	Second	Second	First	Second	Second	Second	Second	First	Second	Second	First
TYPE-C PIN DEFINE											
B12	B11	B10	B9	B8	B7	B6	B5	B4	B3	B2	B1
GND	RX1+	RX1-	VBUS	SBU2	D-	D+	CC2	VBUS	TX2-	TX2+	GND
First	Second	Second	First	Second	Second	Second	Second	First	Second	Second	First

XB 东莞市溪榜电子有限公司
DONG GUAN XI BANG ELECTRONICS CO., LTD.

TOLERANCE UNLESS OTHERWISE STATED:
Up to 5 ±0.2
Above 5 ~ 15 ±0.3
Above 15 ~ 30 ±0.4
Above 30 ~ 50 ±0.5
Angle ±0.3°

3RD. ANGEL'S

UNITS MM

DRAWN BY:	DATE	MAT'L	TITLE	CONNECTOR
Jack Lu	03/10/22		MODLE	Horizontal Type-A 9Pin+Type-C 24P Female DIP CH=4.1 L=17.3mm
CHECKED BY:	DATE	SCALE	DWG NO.	XB-USB-C-2433
Jacky Chen	03/10/22	1:1	PART NO.	
APPROVED BY:	DATE	SHEET NO.		
Tony Kao	03/10/22	1 of 1		

1	更新圖面	Jack	031022
ITEM NO.	DESCRIPTION	DRAWN	DATE