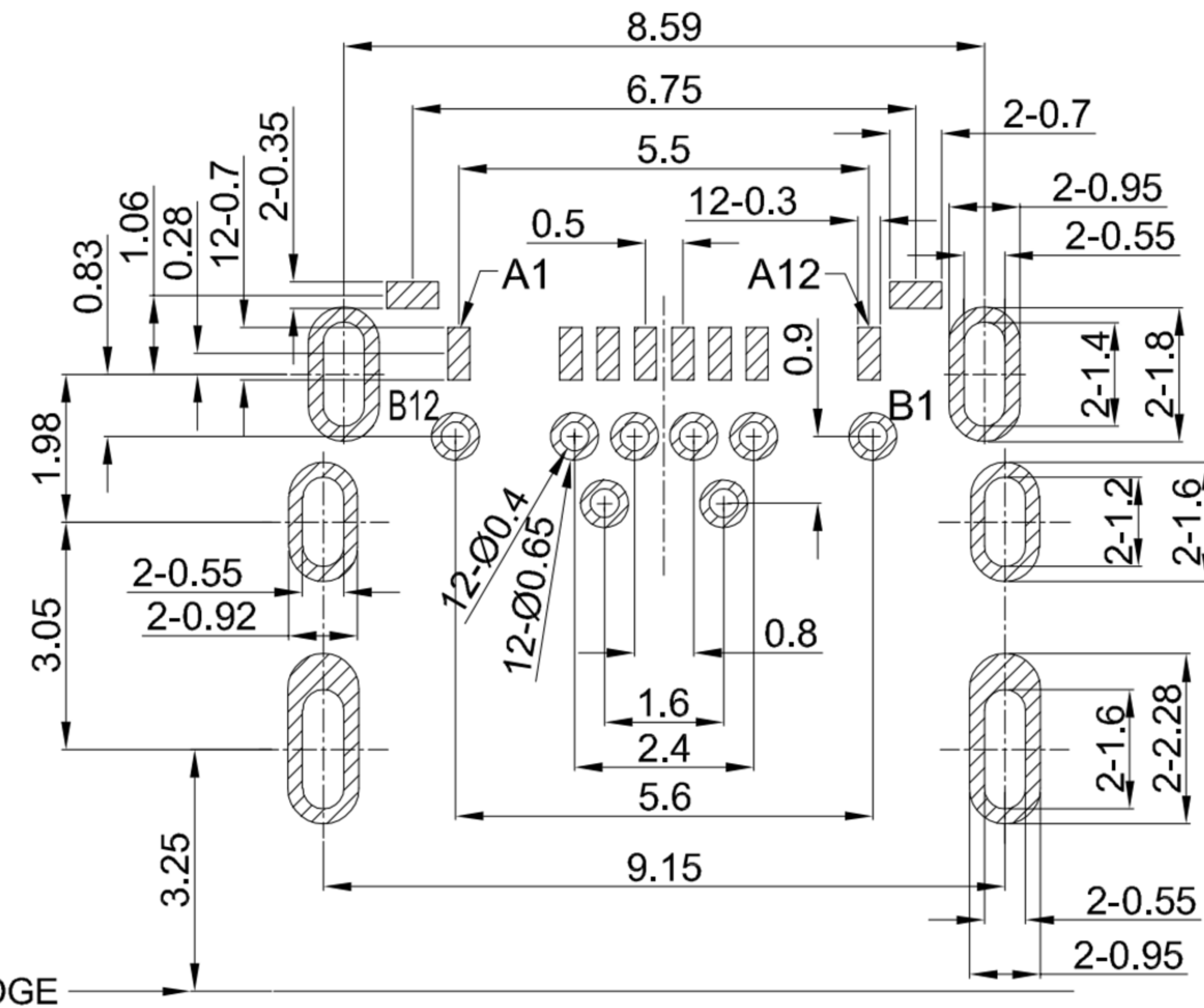
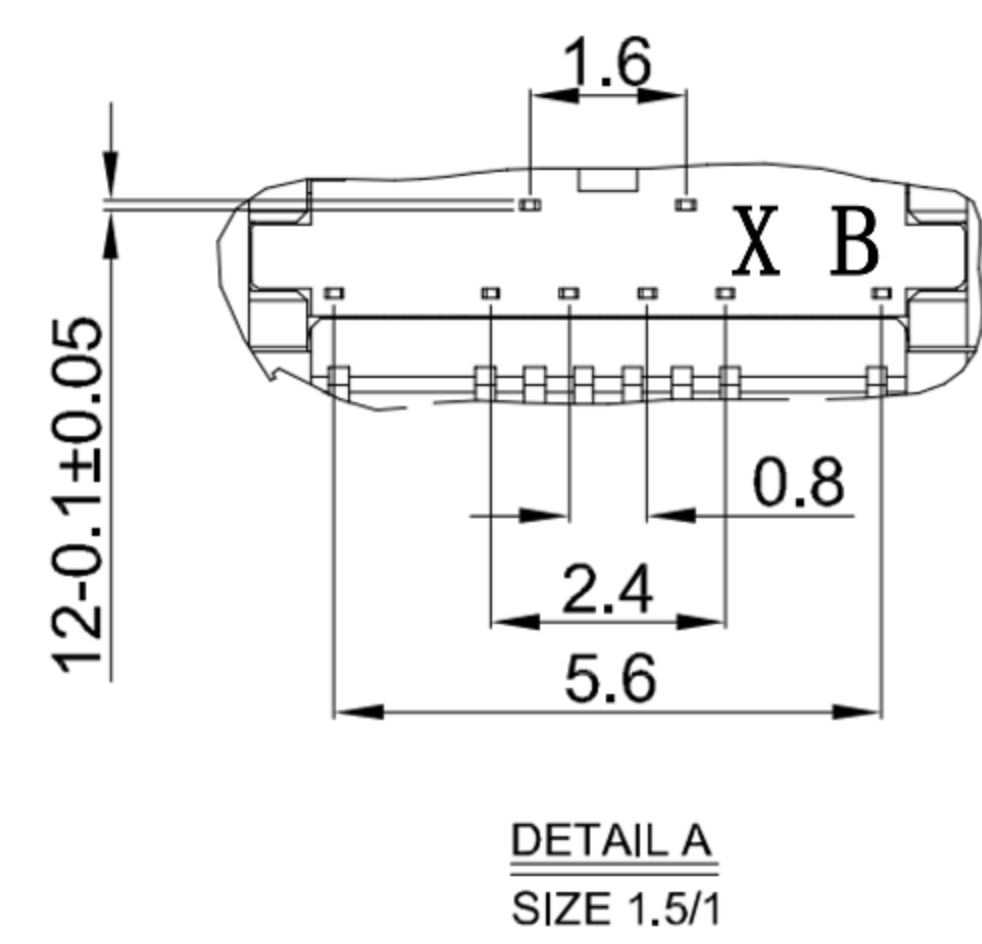
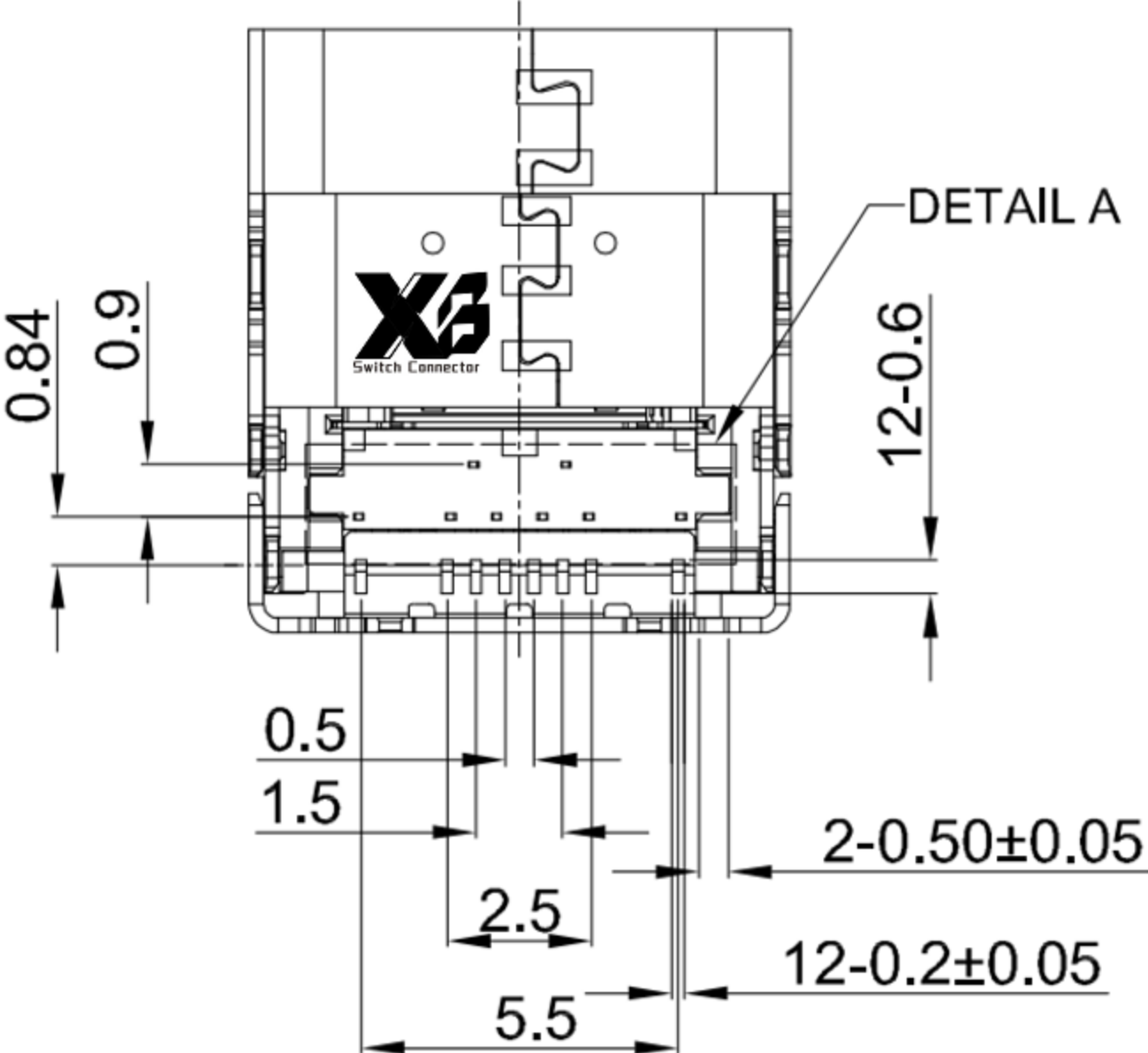
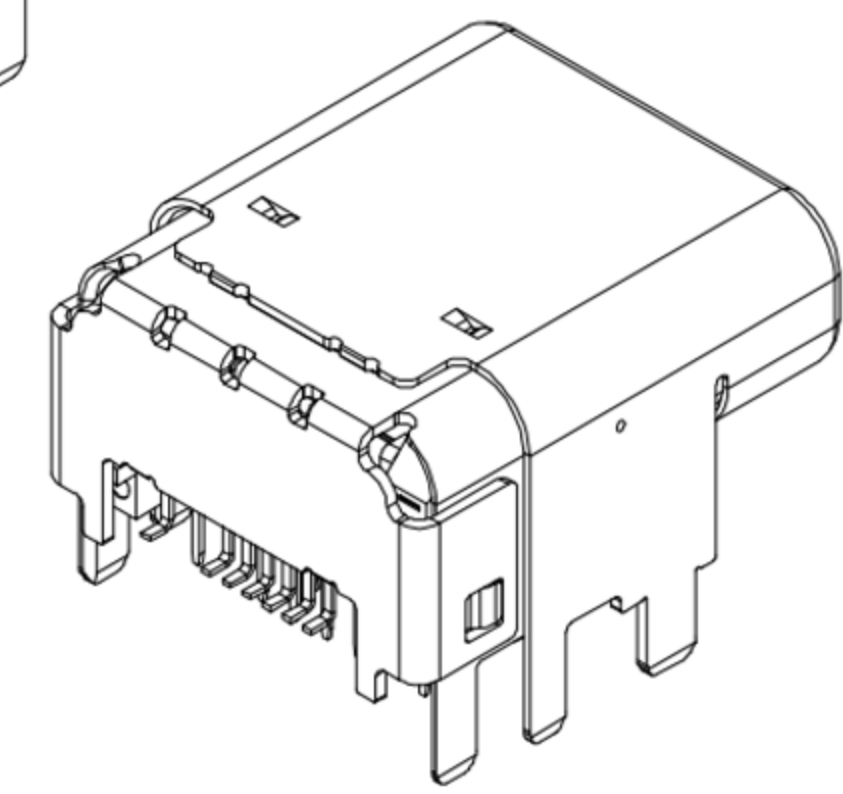
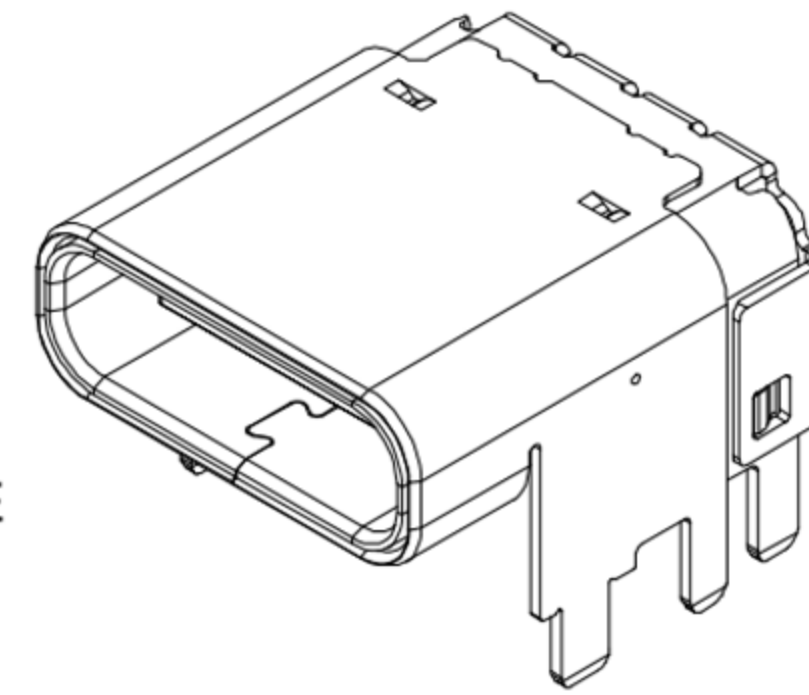
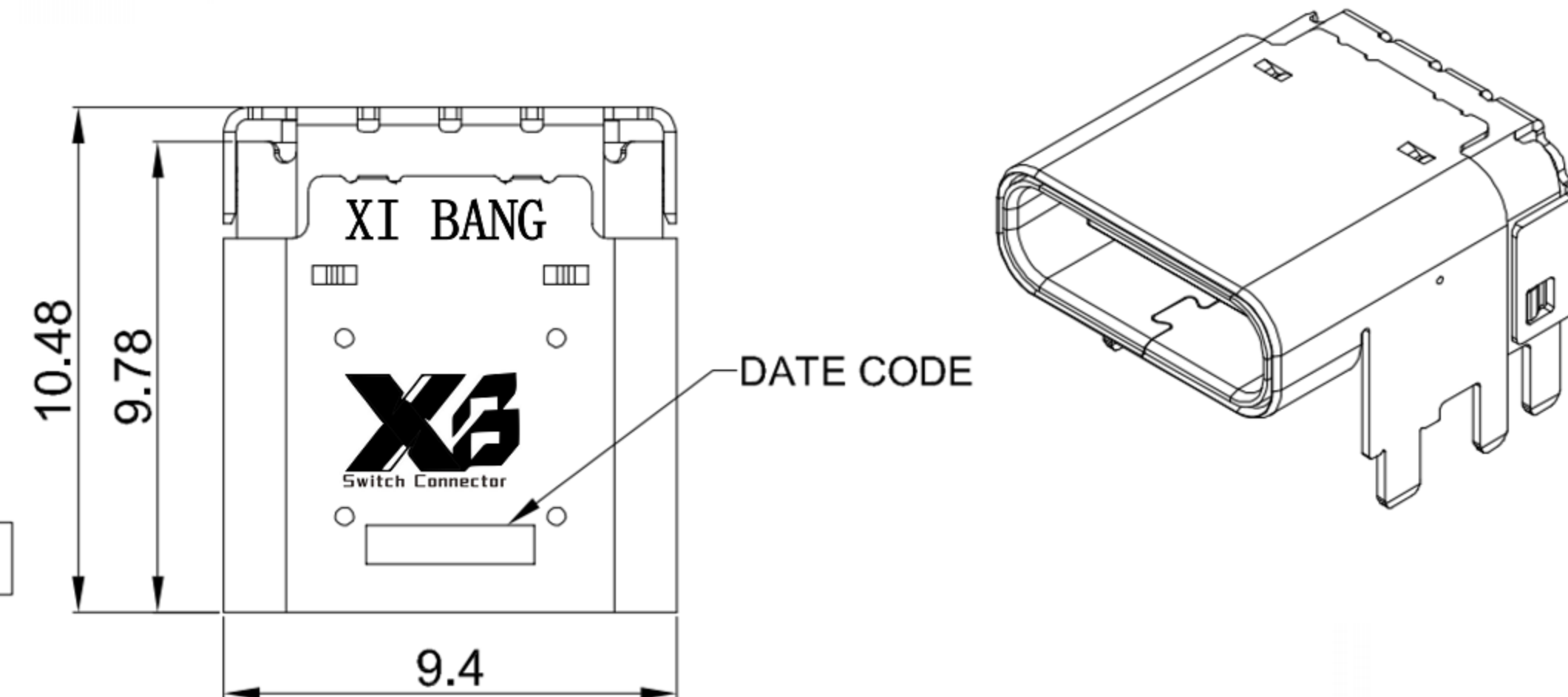
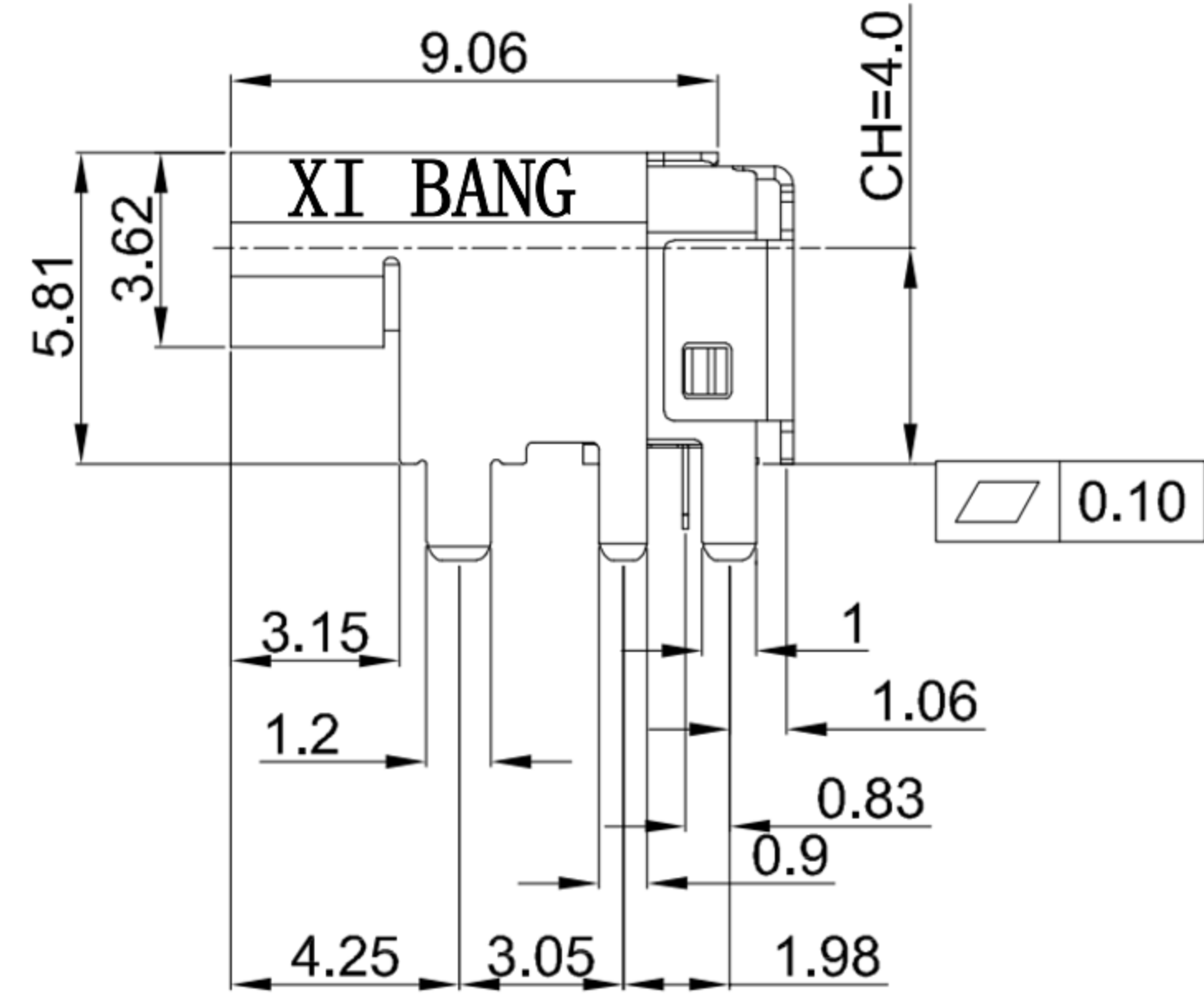
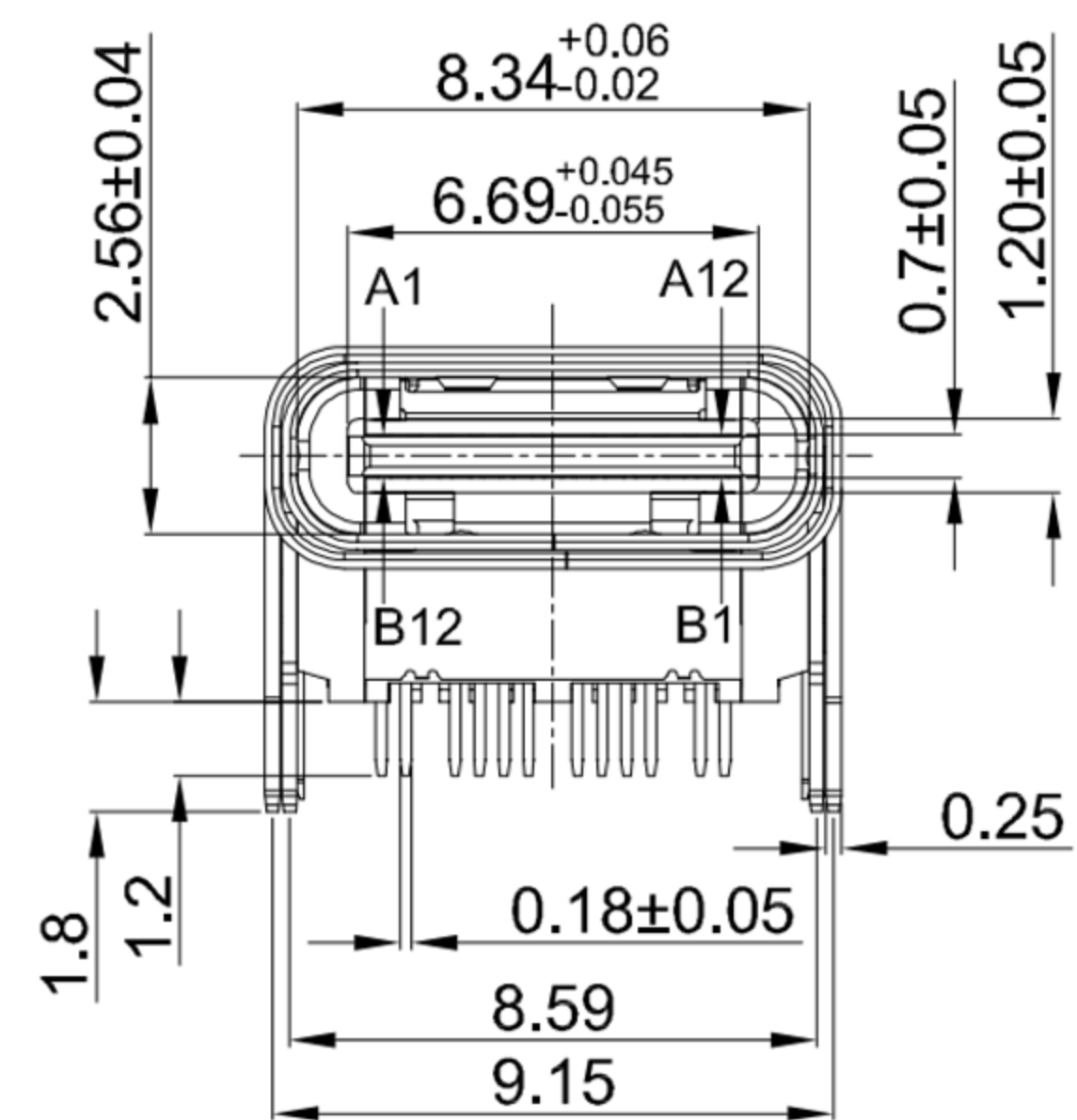




鍍層厚度:

|       |        |
|-------|--------|
| Blank | : 1u"  |
| 2     | : 15u" |
| 3     | : 30u" |



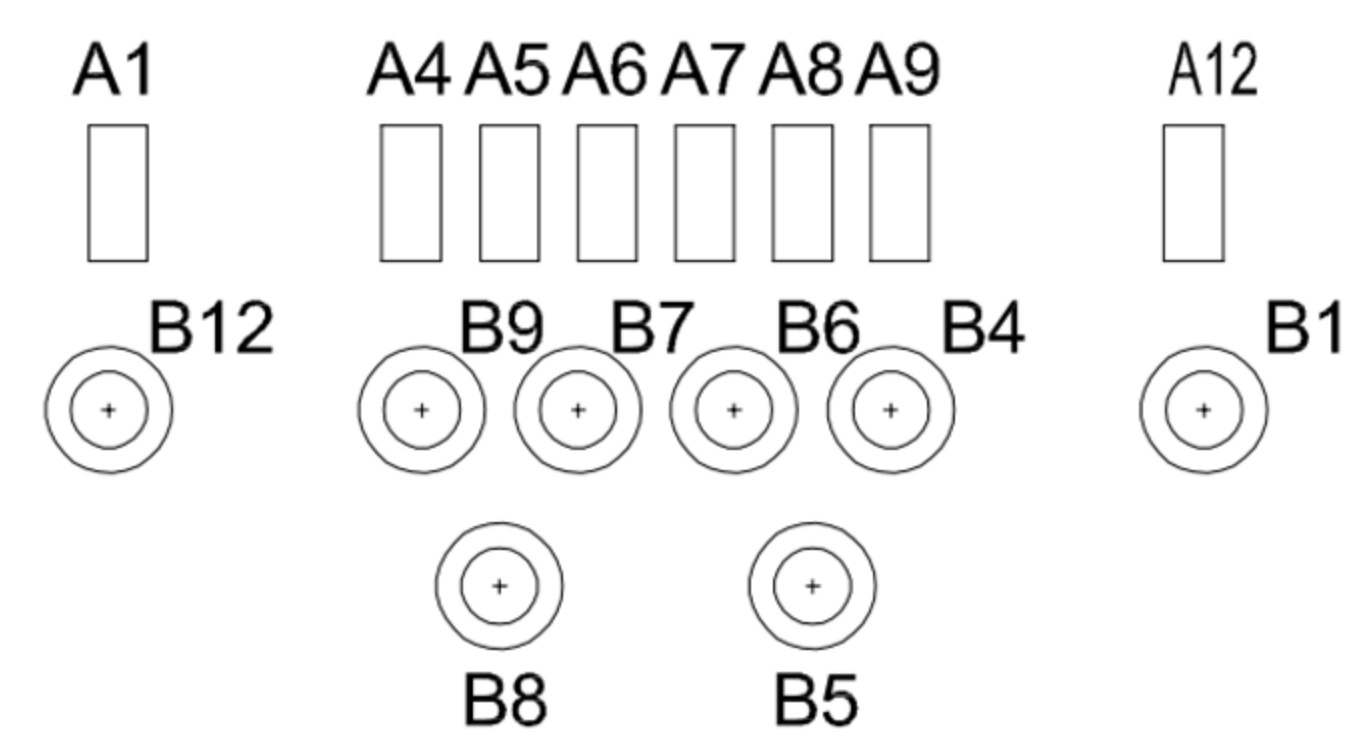
**SPECIFICATIONS**

- Electrical:**
1. Rating: 5.0A (V BUS&GND), 0.25A (Other Pin)
  2. Voltage rating: 12V 24V AC
  3. Contact Resistance: 40 mΩ Max
  4. Insulation Resistance: 100 MΩ Min
  5. Dielectric Withstanding Voltage: 100V AC
  6. Operating temperature: -40° C ~ +85° C
  7. Waterproof grade: IP 50
  8. Durability cycle: 10,000 cycles

- Mechanical:**
1. Connector Mate and Unmate Force
  - 1.1 Mate force: 5~20 N.
  - 1.2 Unmate force: 8~20 N

- Material:**
1. Housing: LCP
  2. Contact: C18400
  3. Shell: SUS
  4. O-ring: Silicone

- Finish:**
1. Contact: Plated Gold in Mating Area ; Tin Plated on Solder Balls ; Nickel under plated overall
  2. Shell: Nickel under Plated surface layer



|       |     |     |       |        |        |        |        |       |     |     |       |
|-------|-----|-----|-------|--------|--------|--------|--------|-------|-----|-----|-------|
| A1    | A2  | A3  | A4    | A5     | A6     | A7     | A8     | A9    | A10 | A11 | A12   |
| GND   |     |     | VBUS  | CC1    | D+     | D-     | SBU1   | VBUS  |     |     | GND   |
| First |     |     | First | Second | Second | Second | Second | First |     |     | First |
| B12   | B11 | B10 | B9    | B8     | B7     | B6     | B5     | B4    | B3  | B2  | B1    |
| GND   |     |     | VBUS  | SBU2   | D-     | D+     | CC2    | VBUS  |     |     | GND   |
| First |     |     | First | Second | Second | Second | Second | First |     |     | First |

**X3** 东莞市溪榜电子有限公司  
DONG GUAN XI BANG ELECTRONICS CO., LTD.

TOLERANCE UNLESS OTHERWISE STATED:  
 Up to 5 ±0.2  
 Above 5 ~ 15 ±0.3  
 Above 15 ~ 30 ±0.4  
 Above 30 ~ 50 ±0.5  
 Angle ±0.3°

3RD. ANGEL'S

UNITS MM

|              |          |        |           |  |
|--------------|----------|--------|-----------|--|
| DRAWN BY:    | DATE     | MAT'L  | TITLE     | CONNECTOR  |
| Jack Lu      | 03/10/22 |        | MODLE     | Horizontal Type-c 16P Female Pad up CH=4.0 L=10.48mm |
| CHECKED BY:  | DATE     | FINISH | DWG NO.   | XB-USB-C-1624  |
| Jacky Chen   | 03/10/22 |        | SHEET NO. |  |
| APPROVED BY: | DATE     | SCALE  | PART NO.  |  |
| Tony Kao     | 03/10/22 | 1:1    |           |  |

|          |             |       |        |
|----------|-------------|-------|--------|
| 1        | 更新圖面        | Jack  | 031022 |
| ITEM NO. | DESCRIPTION | DRAWN | DATE   |