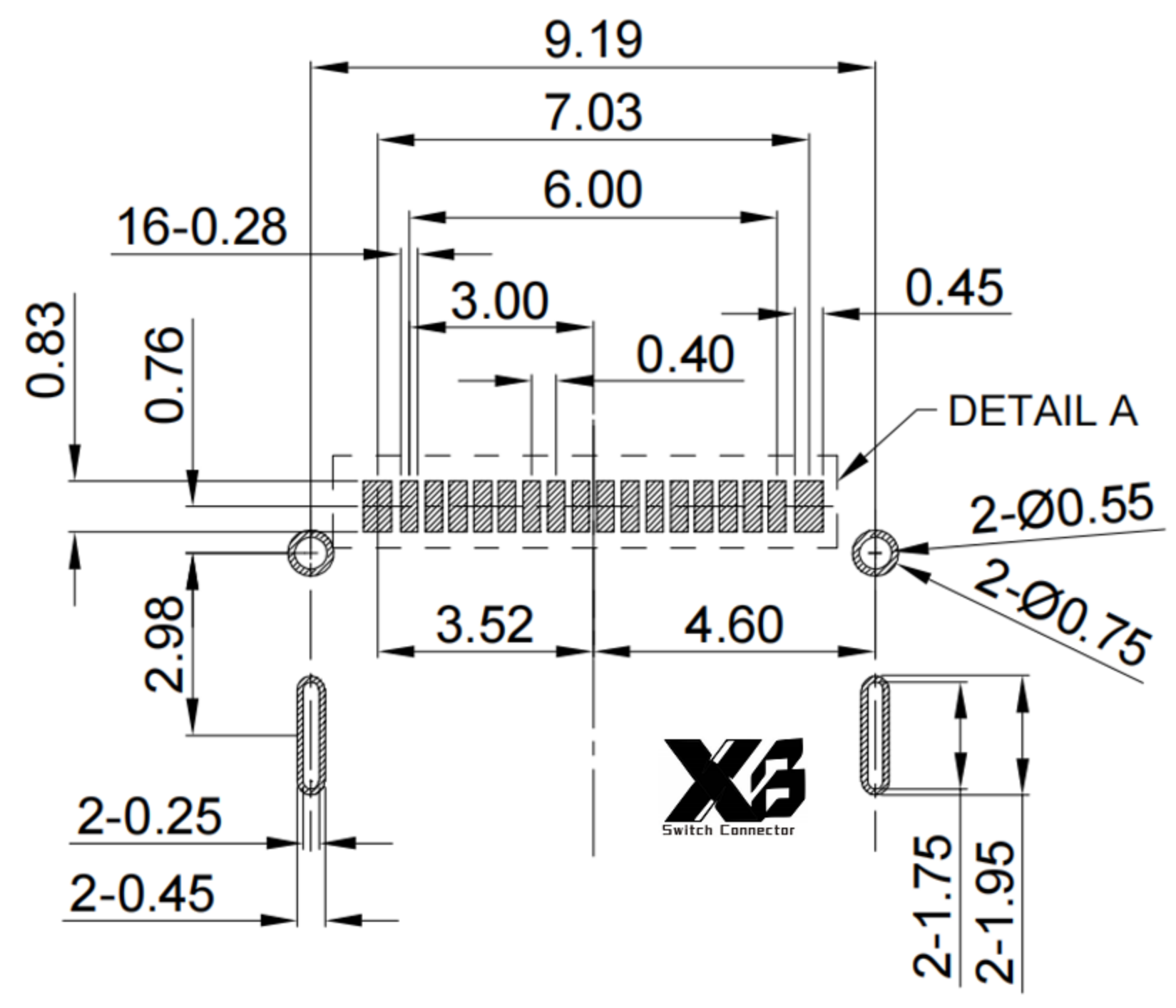
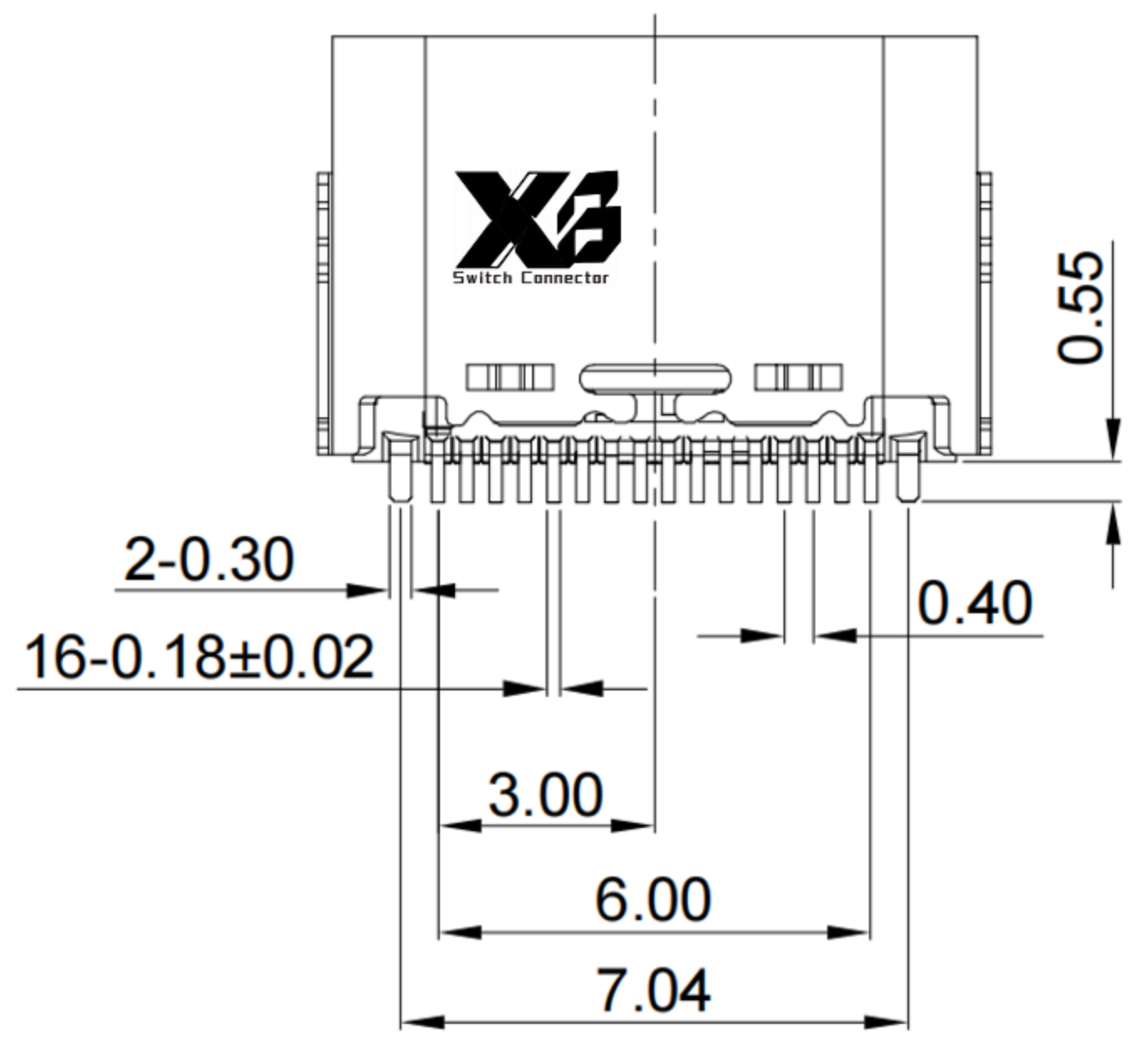
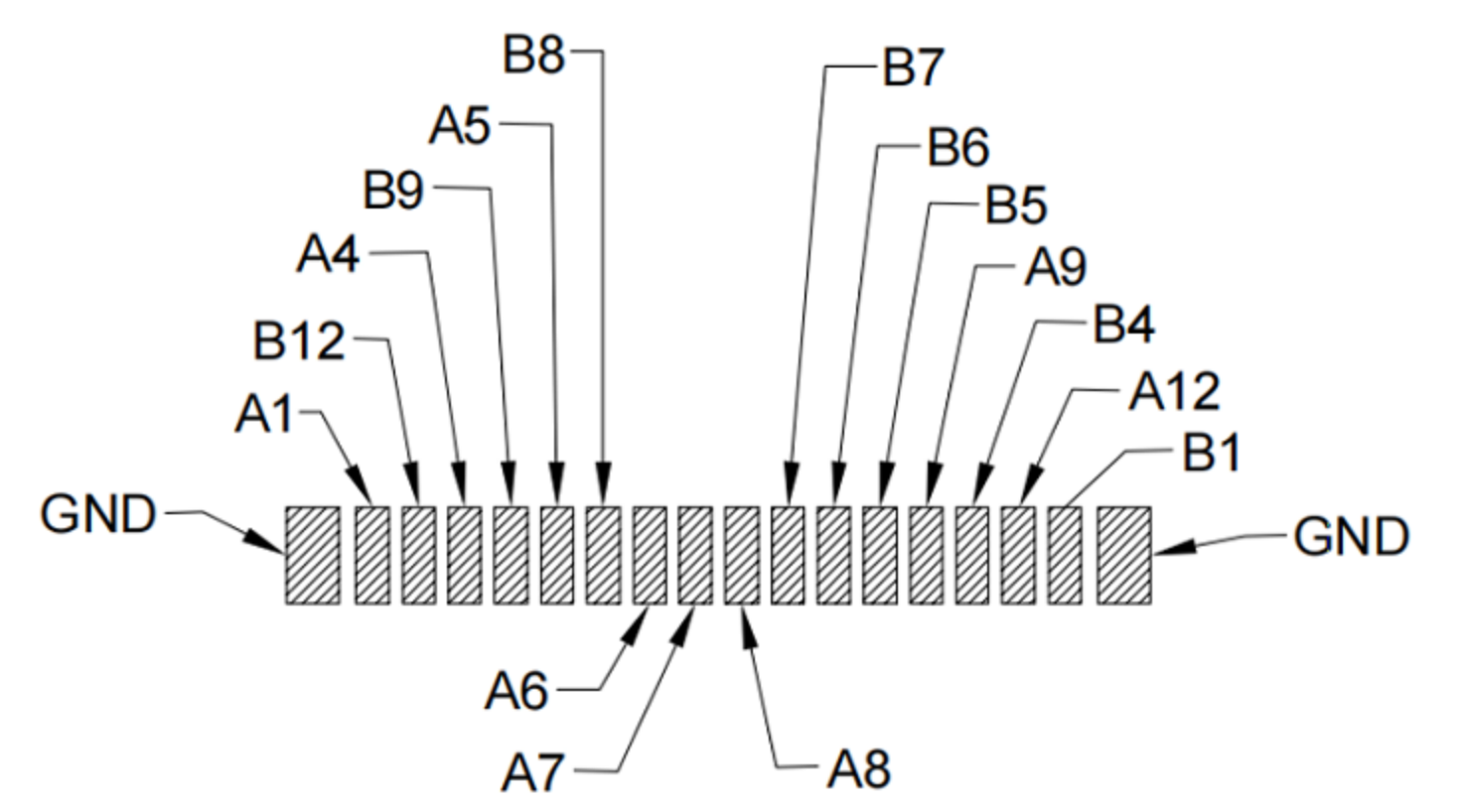
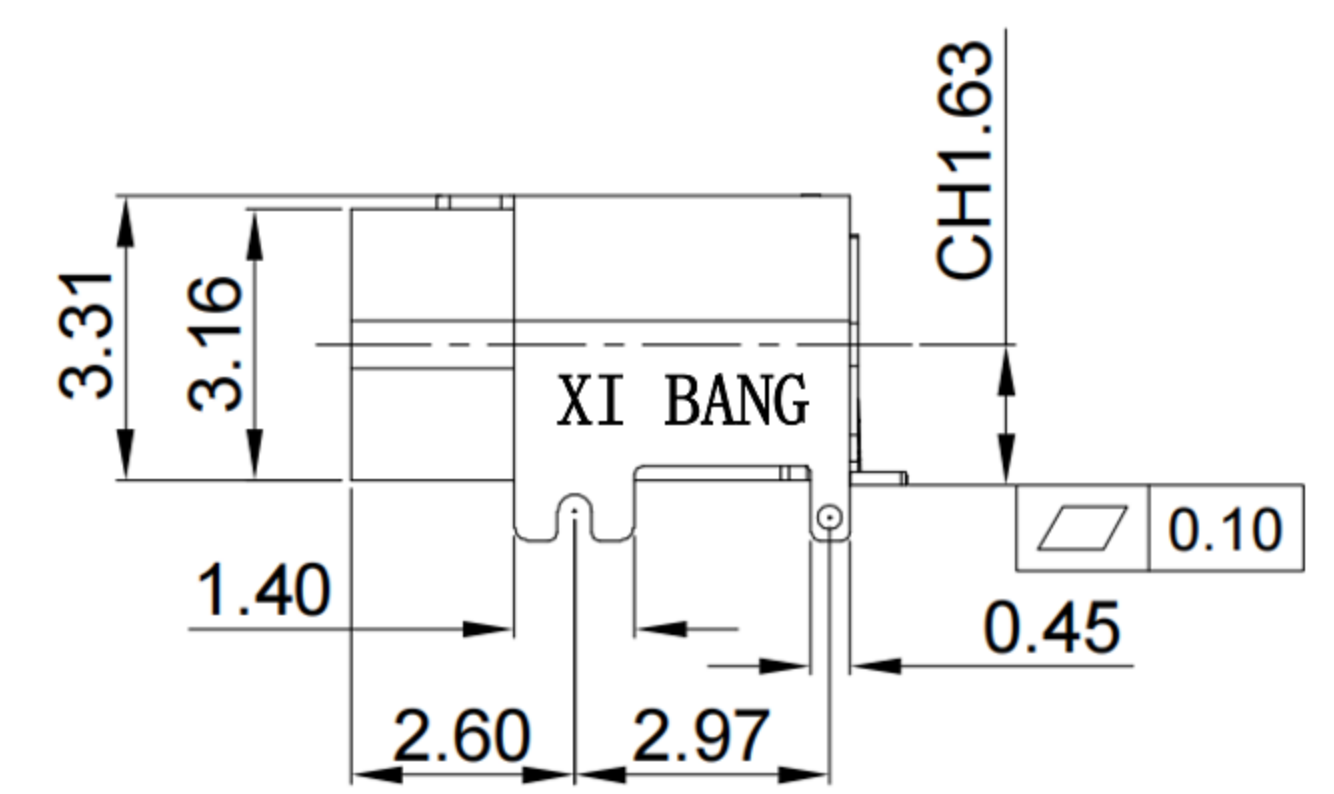
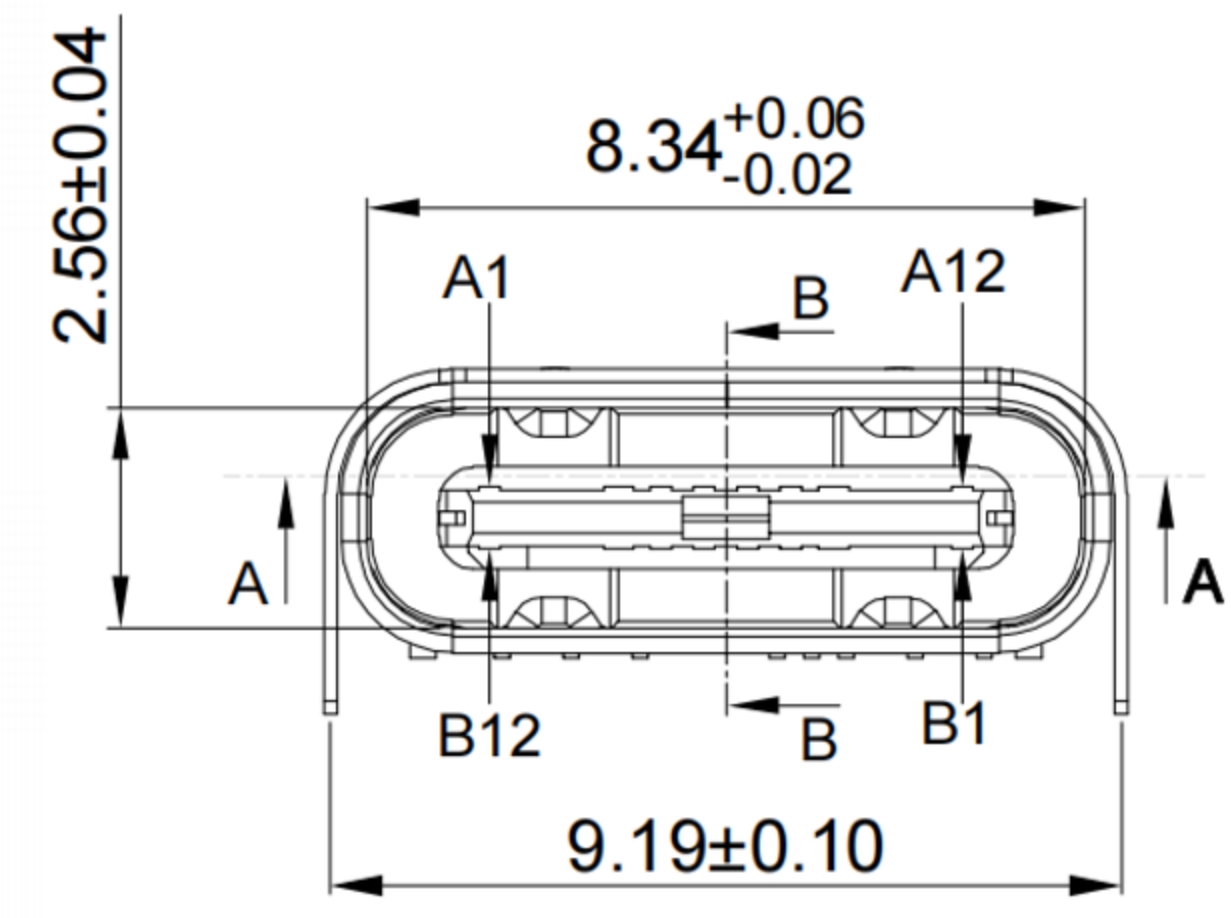
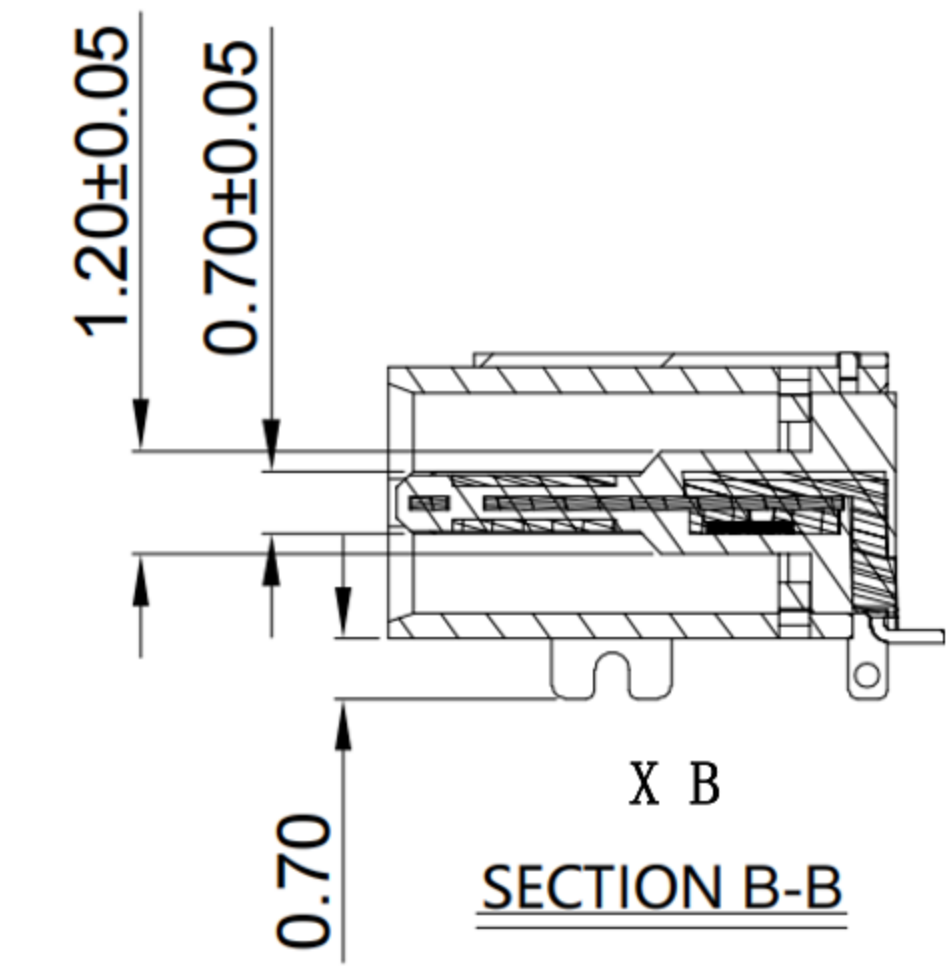
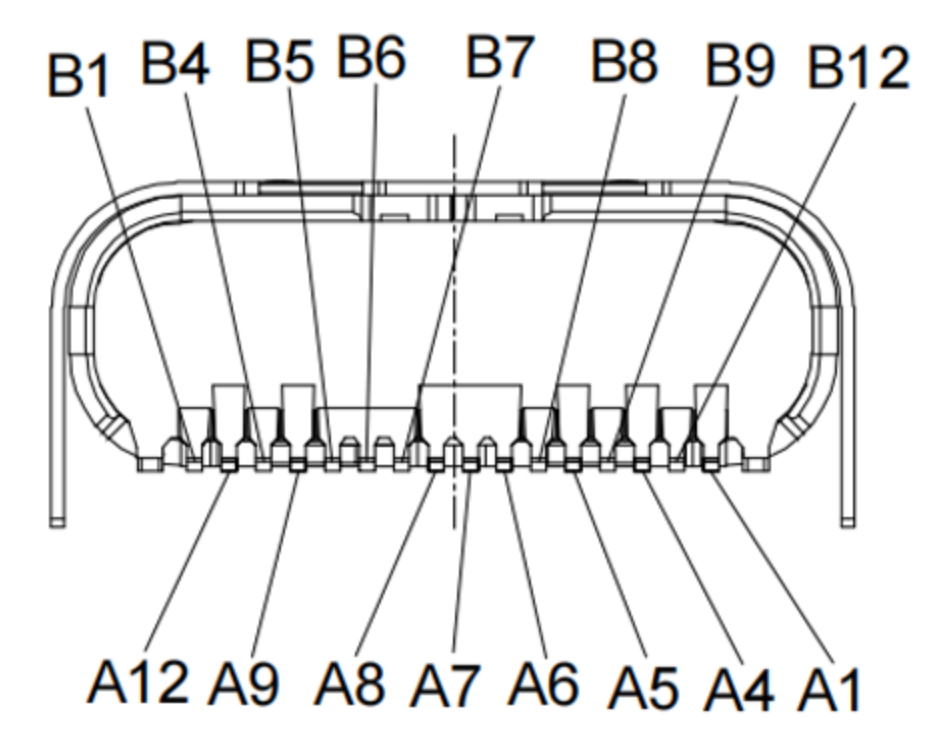
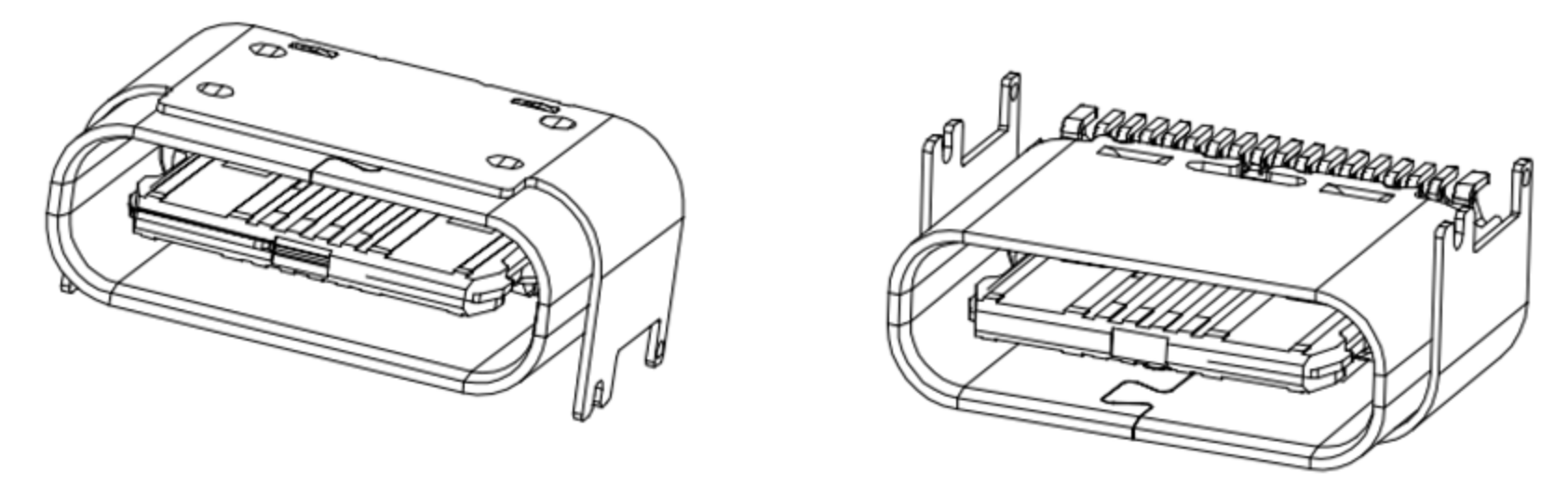
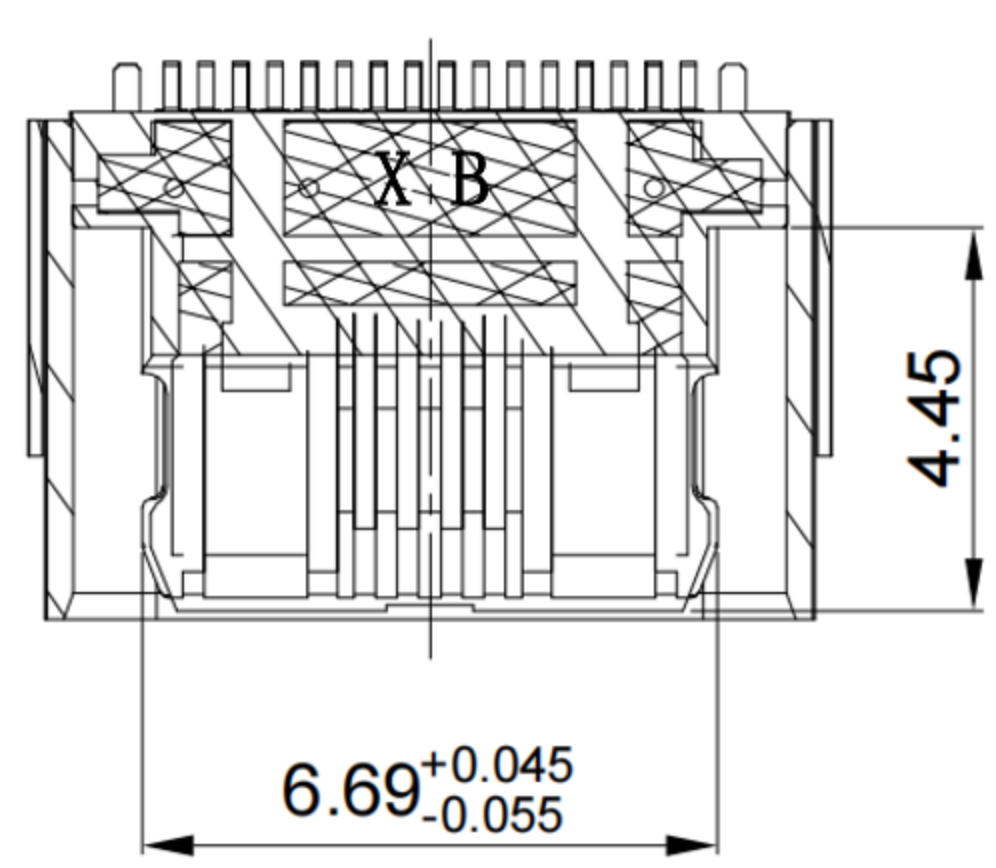
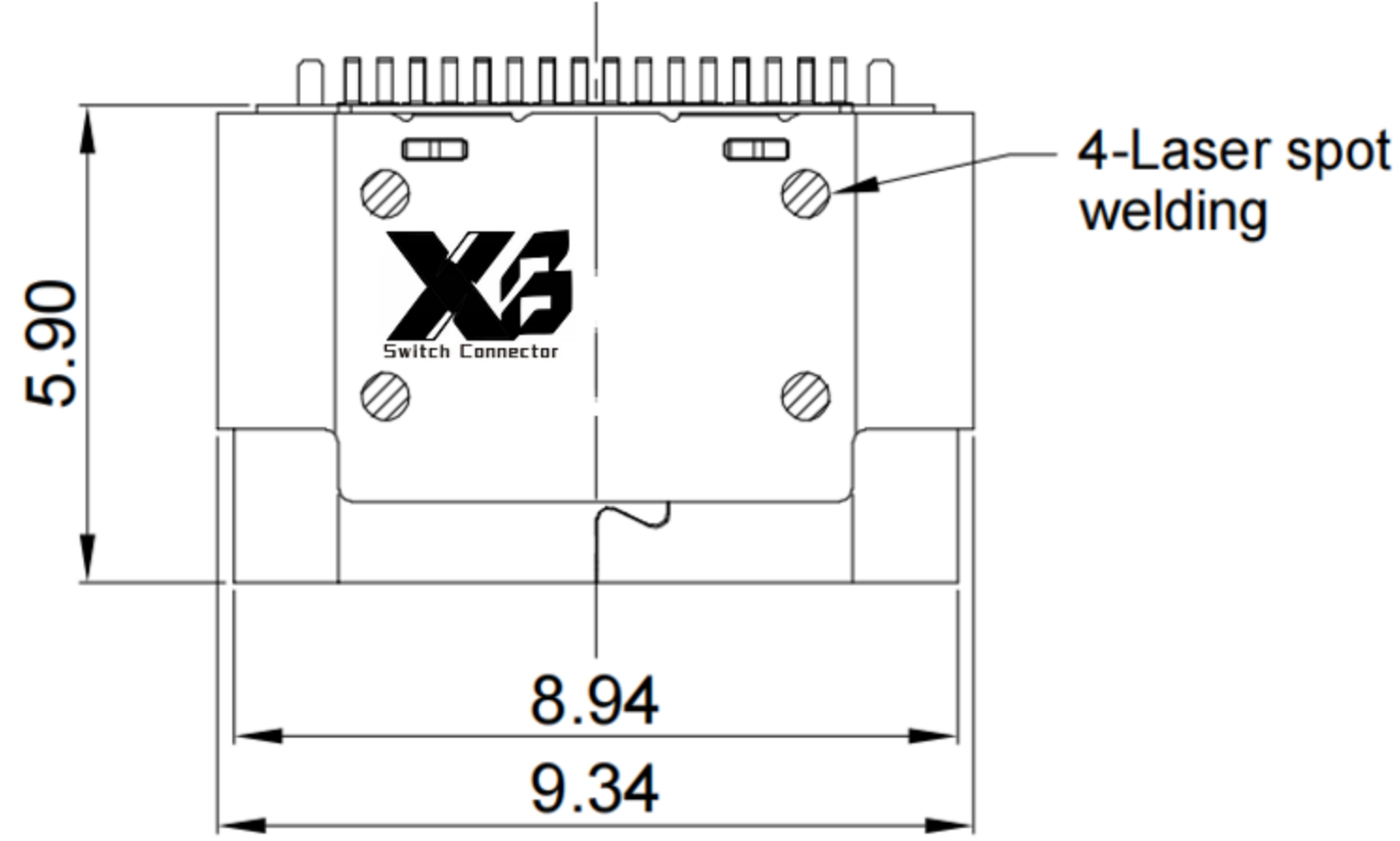




鍍層厚度:

Blank	: 1u"
2	: 15u"
3	: 30u"



A1	A2	A3	A4	A5	A6	A7	A8	A9	A10	A11	A12
GND			VBUS	CC1	D+	D-	SBU1	VBUS			GND
First			First	Second	Second	Second	Second	First			First
B12	B11	B10	B9	B8	B7	B6	B5	B4	B3	B2	B1
GND			VBUS	SBU2	D-	D+	CC2	VBUS			GND
First			First	Second	Second	Second	Second	First			First

SPECIFICATIONS

- Electrical:**
- Rating: 5.0A (V BUS&GND), 0.25A (Other Pin)
 - Voltage rating: 12V 24V AC
 - Contact Resistance: 40 mΩ Max
 - Insulation Resistance: 100 MΩ Min
 - Dielectric Withstanding Voltage: 100V AC
 - Operating temperature: -40° C ~ +85° C
 - Waterproof grade: IP 50
 - Durability cycle: 10,000 cycles

- Mechanical:**
- Connector Mate and Unmate Force
 - 1.1 Mate force: 5~20 N
 - 1.2 Unmate force: 8~20 N

- Material:**
- Housing: LCP
 - Contact: C18400
 - Shell: SUS
 - O-ring: Silicone

- Finish:**
- Contact: Plated Gold in Mating Area ; Tin Plated on Solder Balls ; Nickel under plated overall
 - Shell: Nickel under Plated surface layer

XB 东莞市溪榜电子有限公司
DONG GUAN XI BANG ELECTRONICS CO., LTD.

TOLERANCE UNLESS OTHERWISE STATED:
Up to 5 ±0.2
Above 5 ~ 15 ±0.3
Above 15 ~ 30 ±0.4
Above 30 ~ 50 ±0.5
Angle ±0.3°

3RD. ANGEL'S

UNITS MM

DRAWN BY:	DATE	MAT'L	TITLE	CONNECTOR
Jack Lu	03/10/22			
CHECKED BY:	DATE	FINISH	MODLE	Horizontal Type-c 16P Female SMT CH=1.63 H=5.9mm
Jacky Chen	03/10/22			
APPROVED BY:	DATE	SCALE	DWG NO.	XB-USB-C-1623
Tony Kao	03/10/22	1:1		
		SHEET NO.	PART NO.	
		1 of 1		

1	更新圖面	Jack	031022
ITEM NO.	DESCRIPTION	DRAWN	DATE