

IPX7



鍍層厚度:

Blank : 1u"
2 : 15u"
3 : 30u"

SPECIFICATIONS

Electrical:

- Rating: 5.0A (V BUS&GND), 0.25A (Other Pin)
- Voltage rating: 12V 24V AC
- Contact Resistance: 40 mΩ Max
- Insulation Resistance: 100 MΩ Min
- Dielectric Withstanding Voltage: 100V AC
- Operating temperature: -40° C ~ +85° C
- Waterproof grade: IP-X7
- Durability cycle: 10,000 cycles

Mechanical:

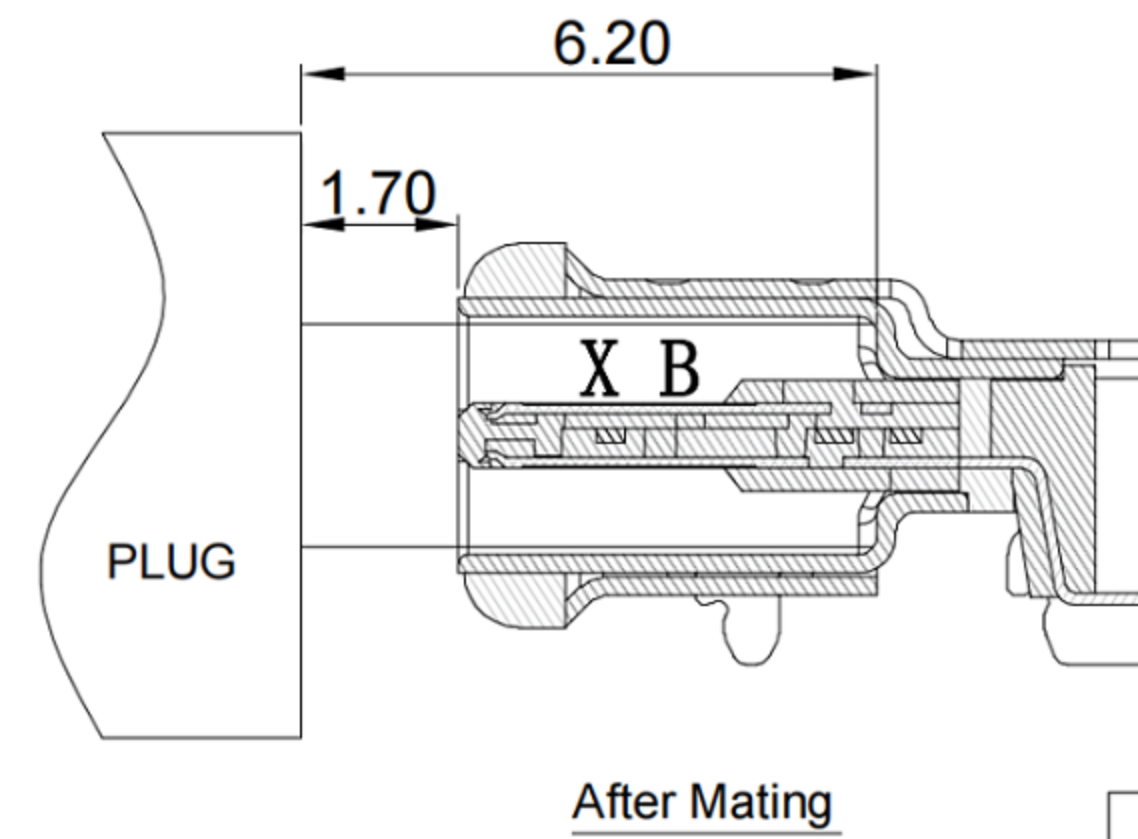
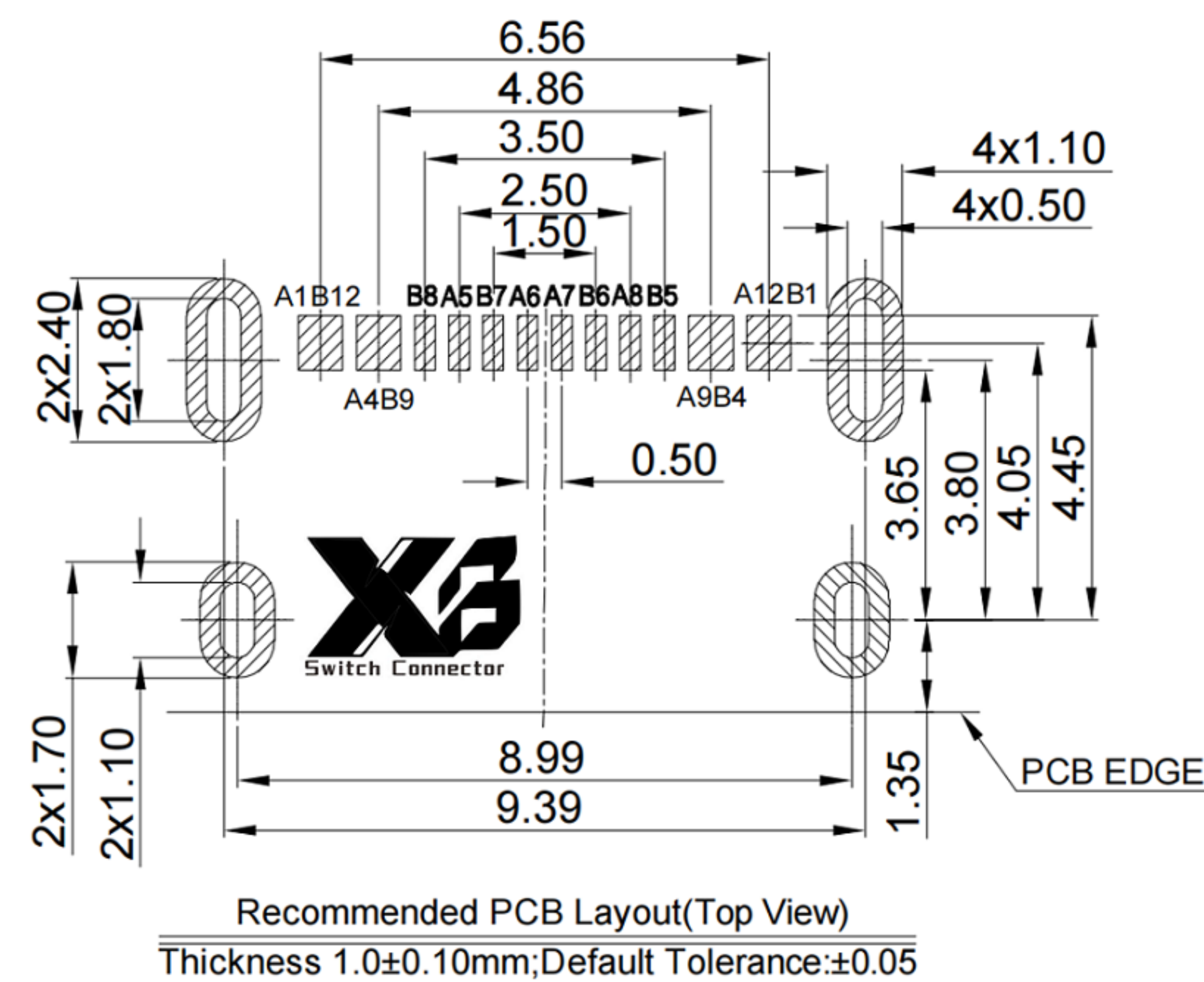
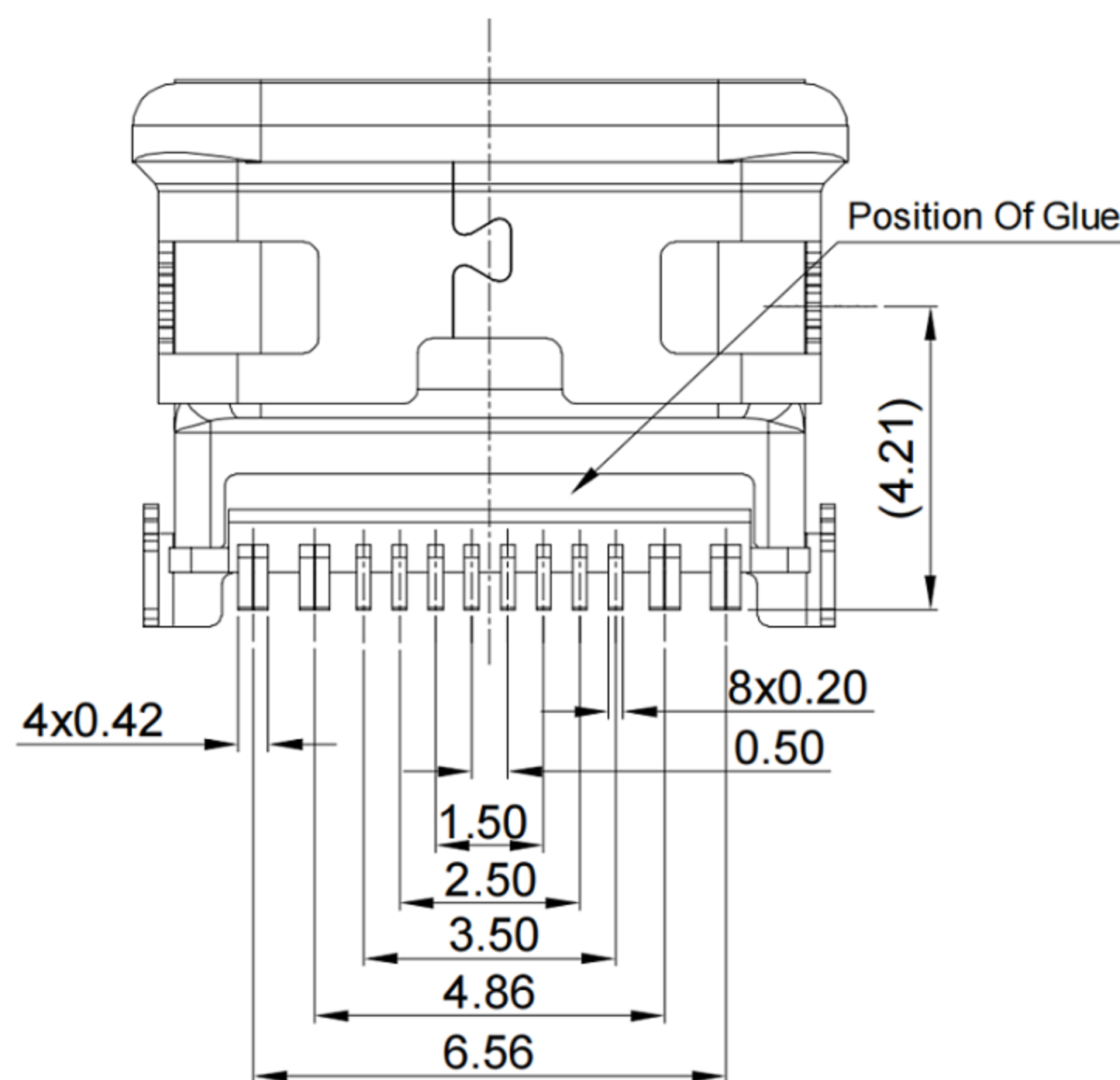
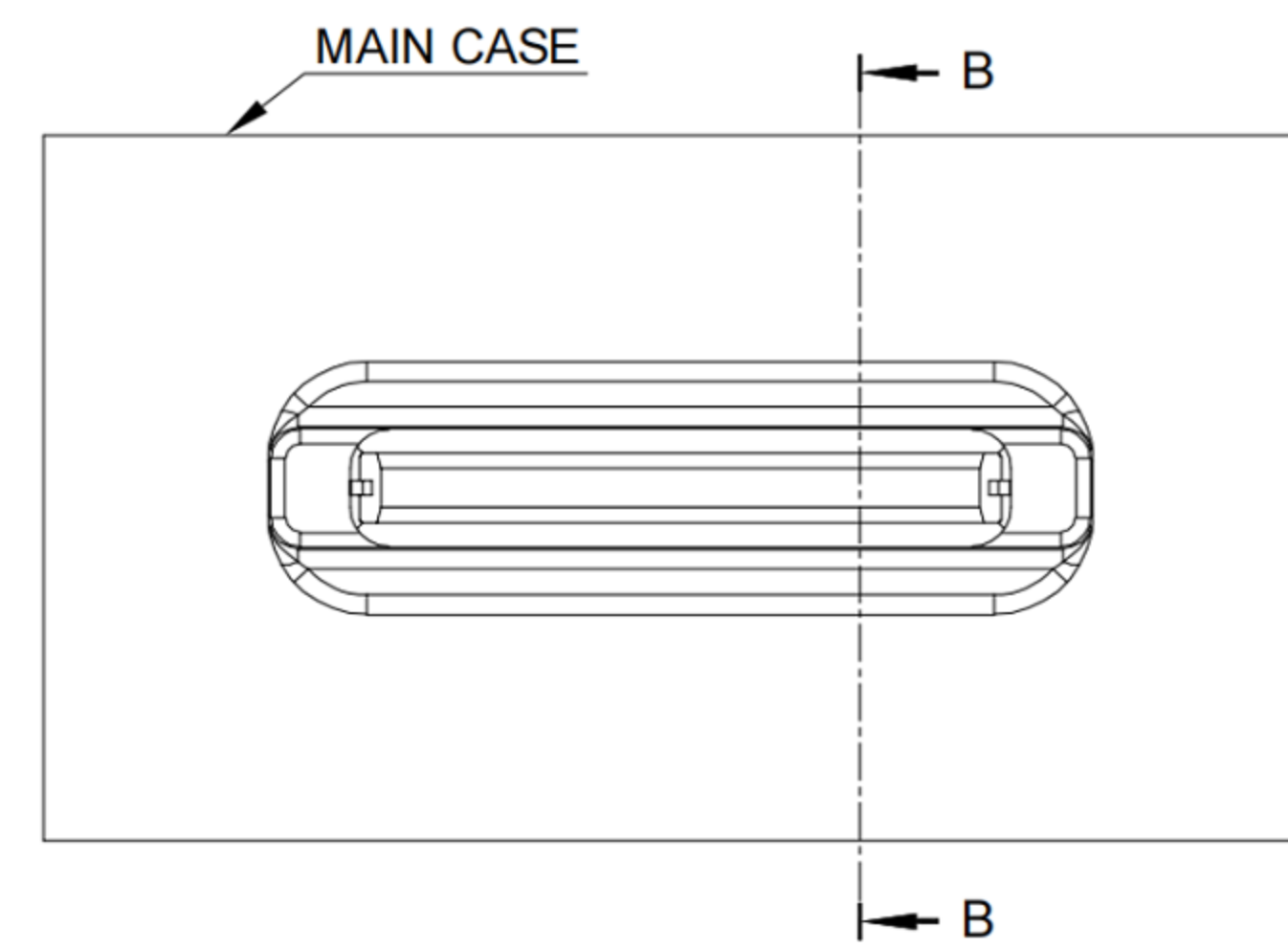
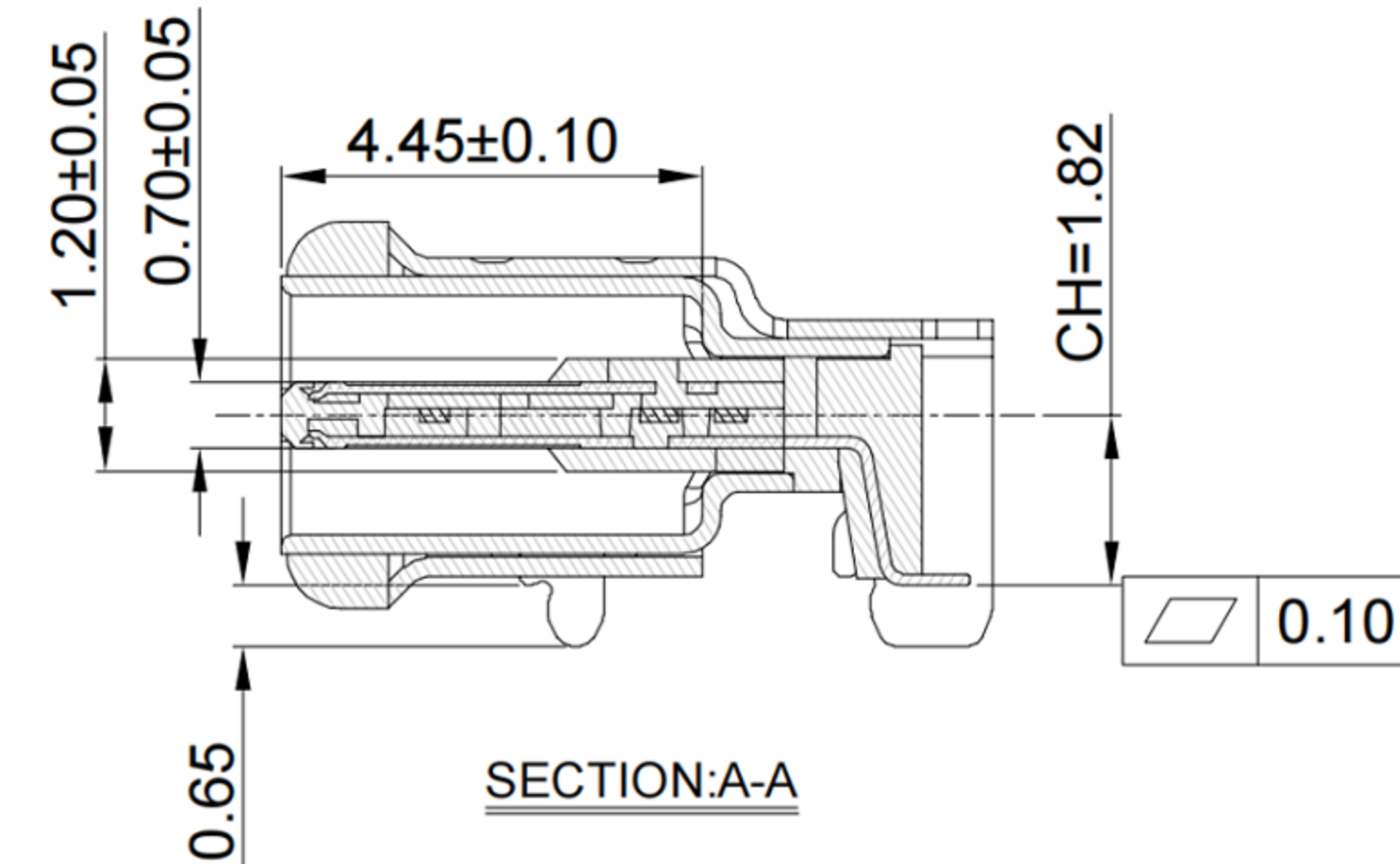
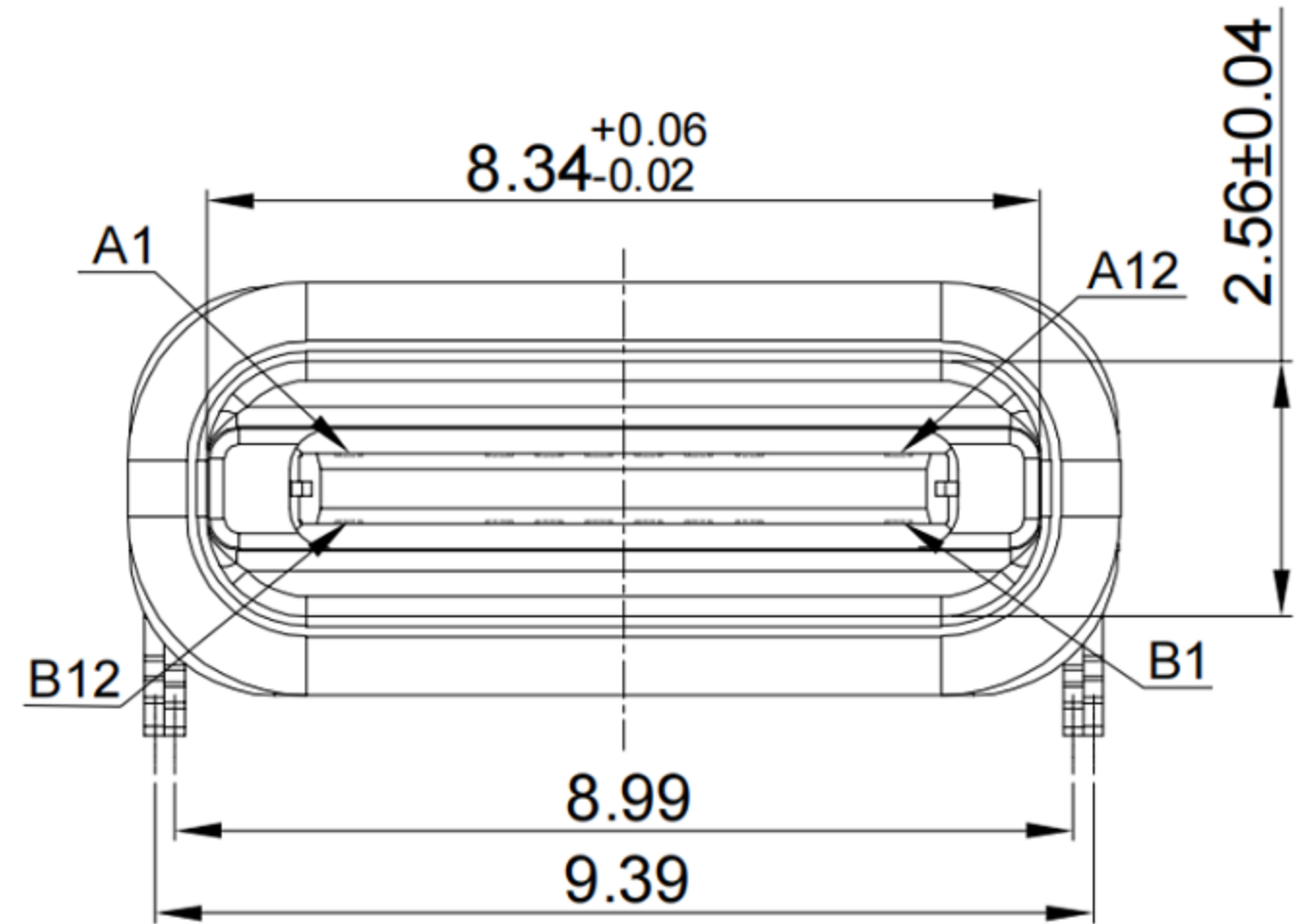
- Connector Mate and Unmate Force
 - Mate force: 5~20 N .
 - Unmate force: 8~20 N

Material:

- Housing: LCP
- Contact: C18400
- Shell: SUS
- O-ring: Silicone

Finish:

- Contact: Plated Gold in Mating Area ;
Tin Plated on Solder Balls ;
Nickel under plated overall
- Shell: Nickel under Plated surface layer



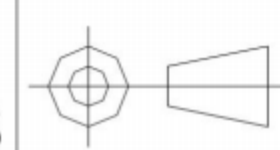
A1	A2	A3	A4	A5	A6	A7	A8	A9	A10	A11	A12
GND			VBUS	CC1	D+	D-	SBU1	VBUS			GND
First			First	Second	Second	Second	Second	First			First
B12	B11	B10	B9	B8	B7	B6	B5	B4	B3	B2	B1
GND			VBUS	SBU2	D-	D+	CC2	VBUS			GND
First			First	Second	Second	Second	Second	First			First

XB 东莞市溪榜电子有限公司
DONG GUAN XI BANG ELECTRONICS CO., LTD.

TOLERANCE UNLESS OTHERWISE STATED:

Up to 5 ±0.2
Above 5 ~ 15 ±0.3
Above 15 ~ 30 ±0.4
Above 30 ~ 50 ±0.5
Angle ±0.3°

3RD. ANGEL'S



UNITS MM

DRAWN BY: Jack Lu
CHECKED BY: Jacky Chen
APPROVED BY: Tony Kao
DATE: 03/10/22
DATE: 03/10/22
DATE: 03/10/22

MAT'L
FINISH
SCALE: 1:1
SHEET NO.: 1 of 1
TITLE: CONNECTOR
MODLE: Horizontal Type-c 16P Female SMT CH=1.82 L=7.6mm
DWG NO.: XB-USB-C-1622-FS
PART NO.:

SIZE: A4
VER: R1

1	更新圖面	Jack	031022
ITEM NO.	DESCRIPTION	DRAWN	DATE