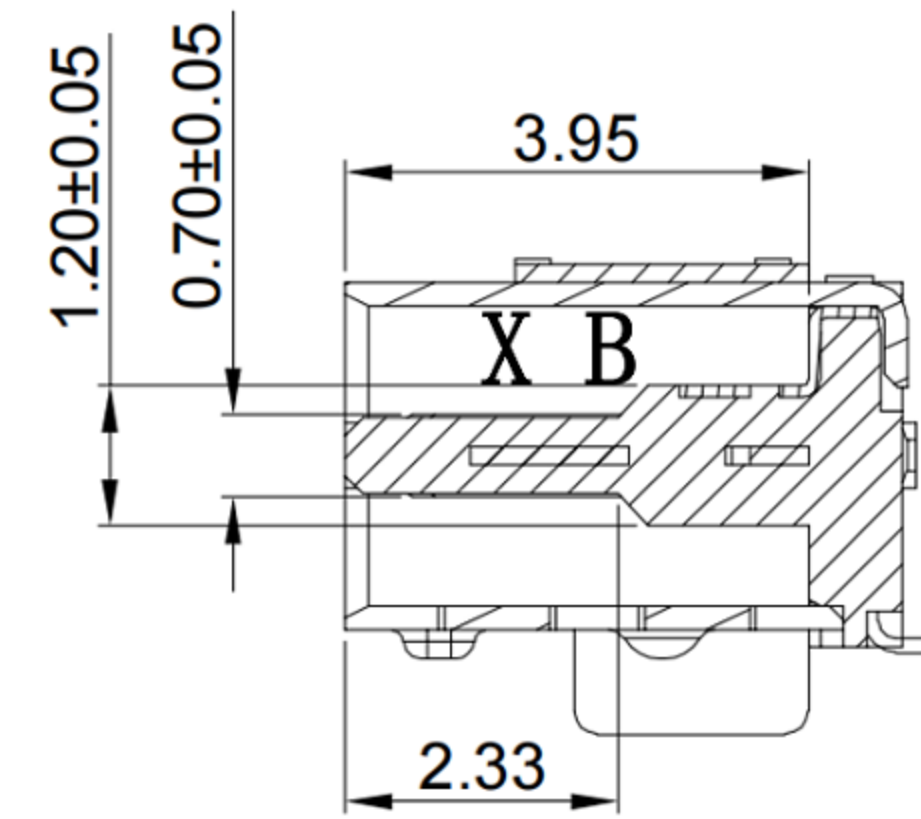
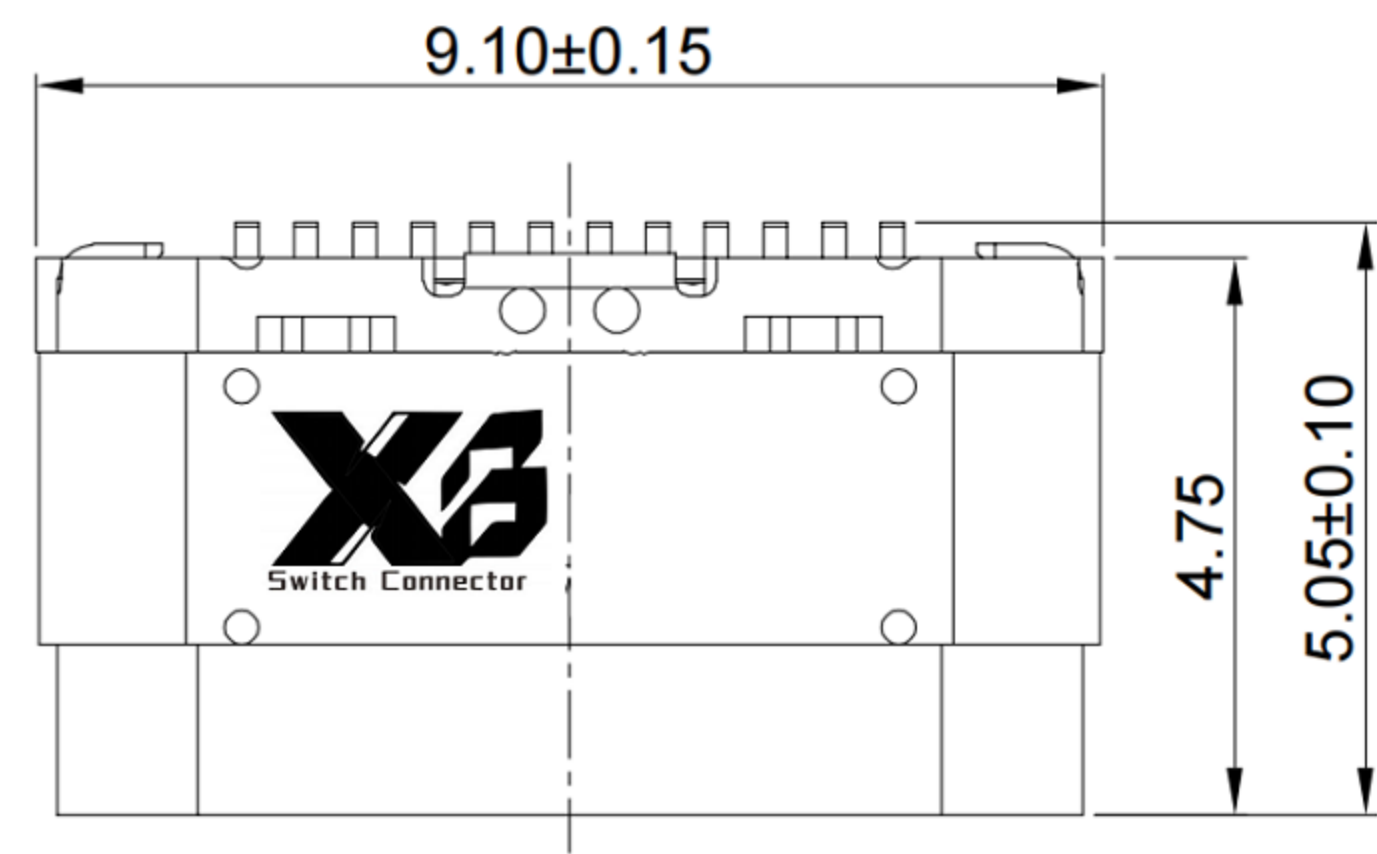


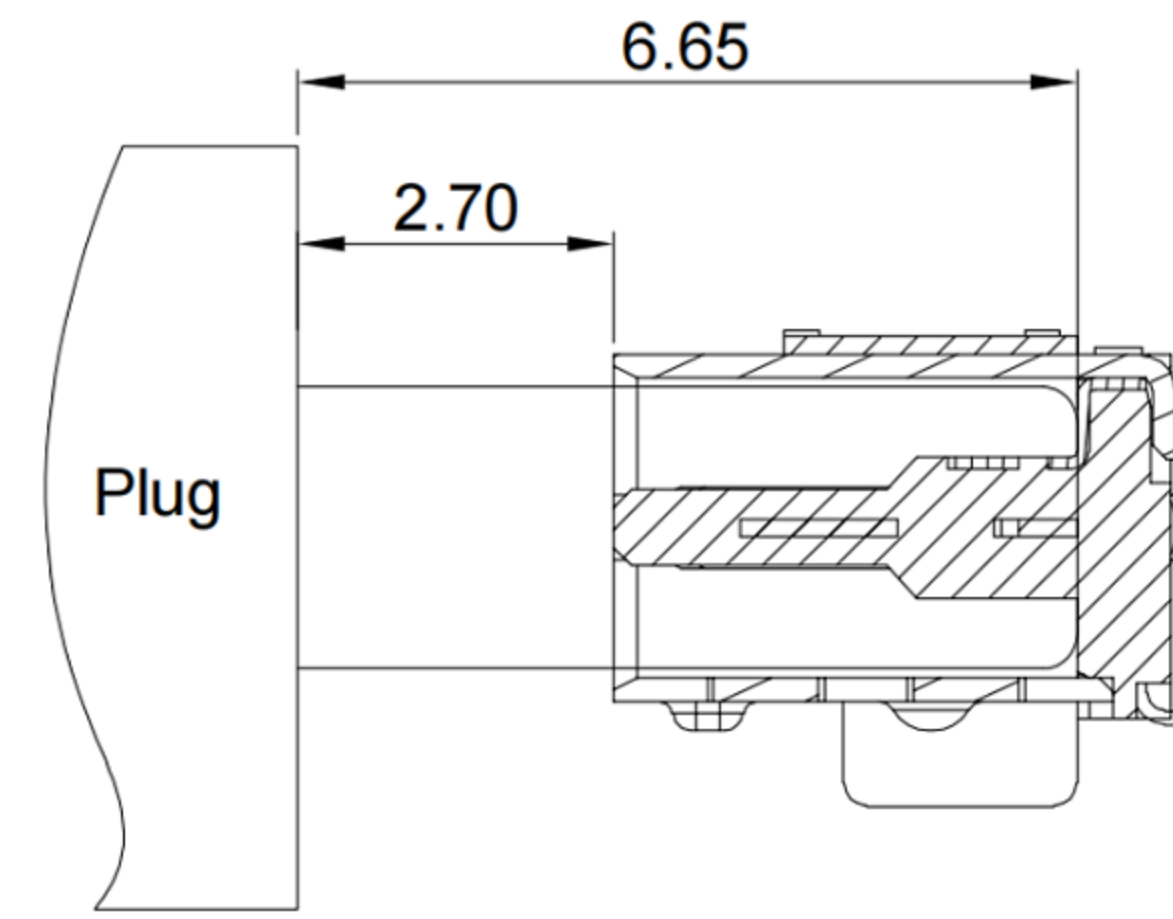


鍍層厚度:

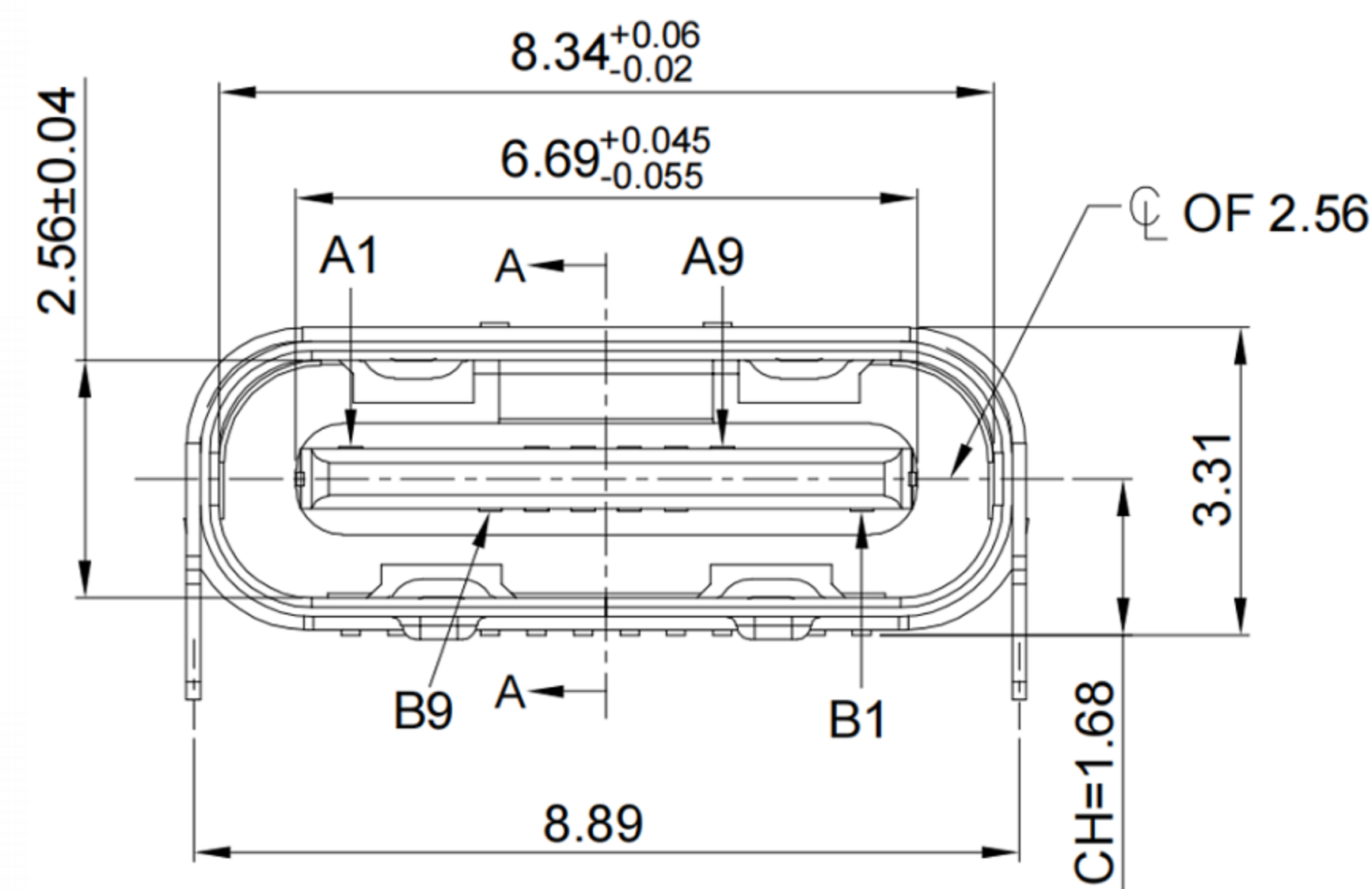
Blank : 1u"
2 : 15u"
3 : 30u"



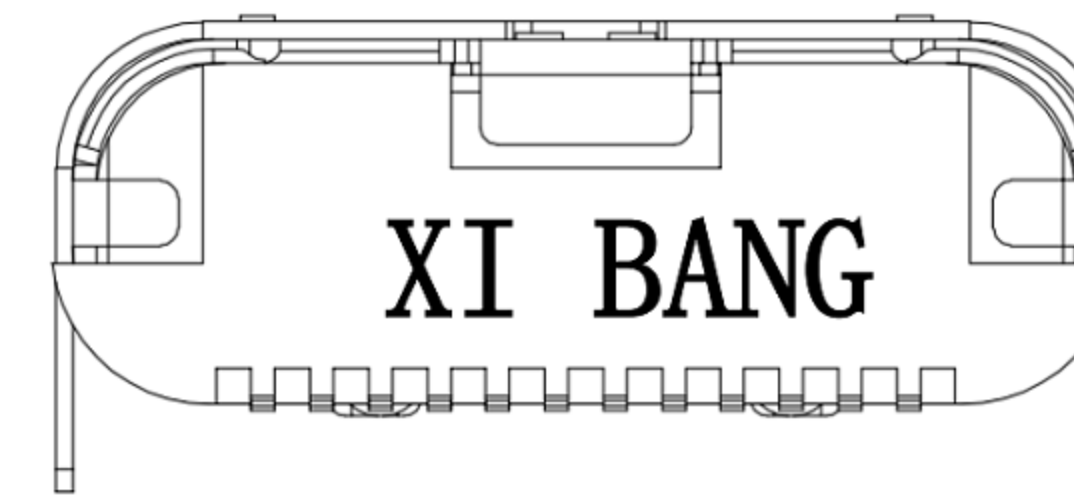
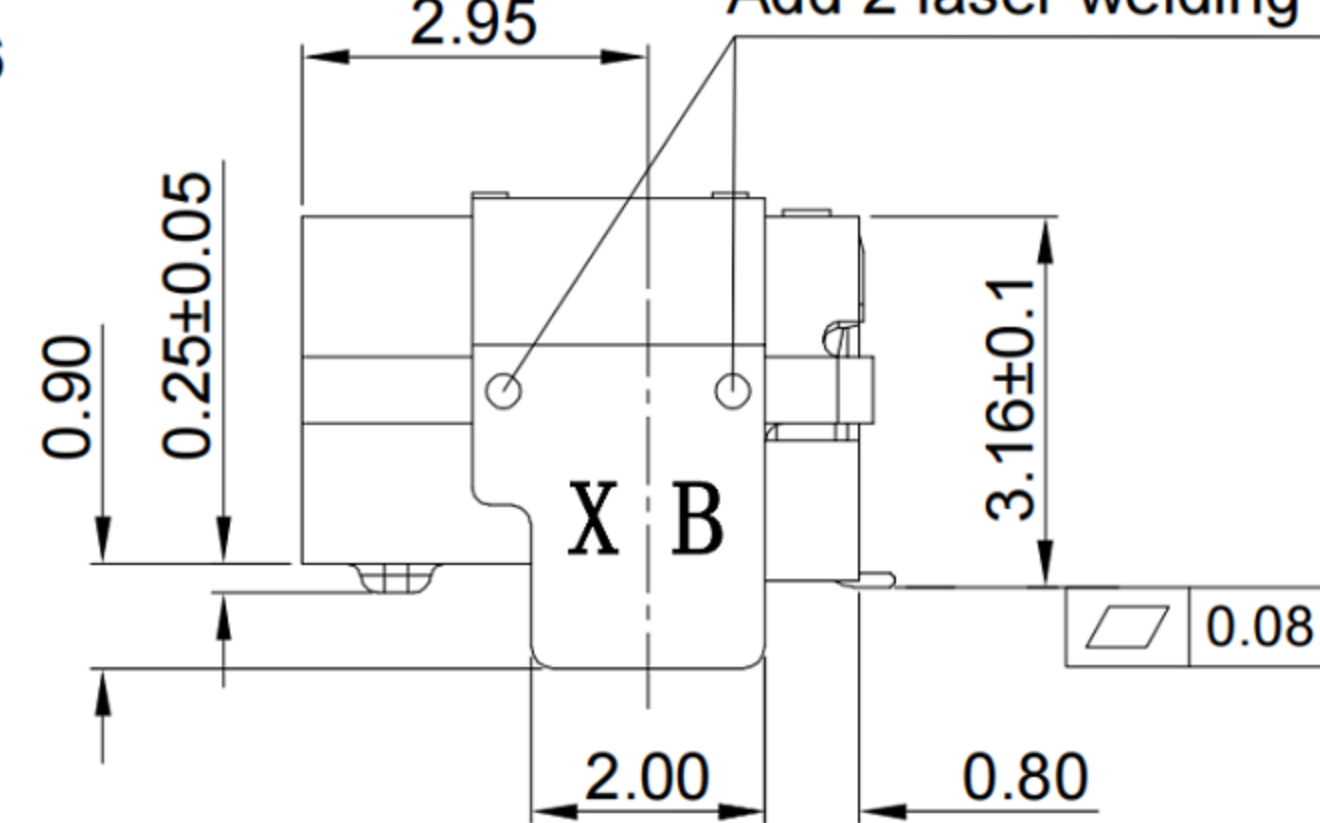
SECTION A-A



AFTER MATING



Prevent outer shell tension
Add 2 laser welding points on each side



SPECIFICATIONS

Electrical:

- Rating: 5.0A (V BUS&GND), 0.25A (Other Pin)
- Voltage rating: 12V 24V AC
- Contact Resistance: 40 mΩ Max
- Insulation Resistance: 100 MΩ Min
- Dielectric Withstanding Voltage: 100V AC
- Operating temperature: -40° C ~ +85° C
- Waterproof grade: IP 50
- Durability cycle: 10,000 cycles

Mechanical:

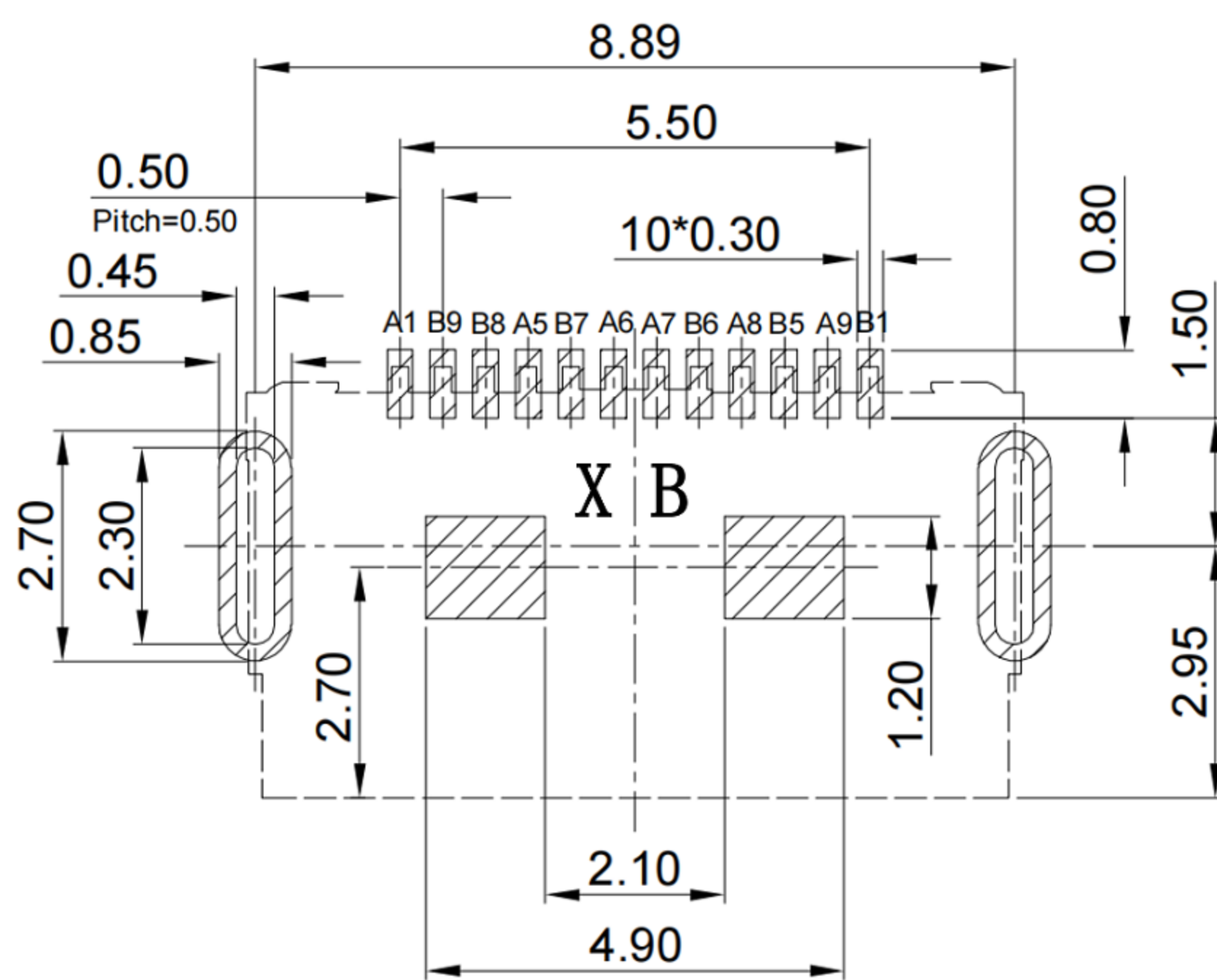
- Connector Mate and Unmate Force
 - Mate force: 5~20 N .
 - Unmate force: 8~20 N

Material:

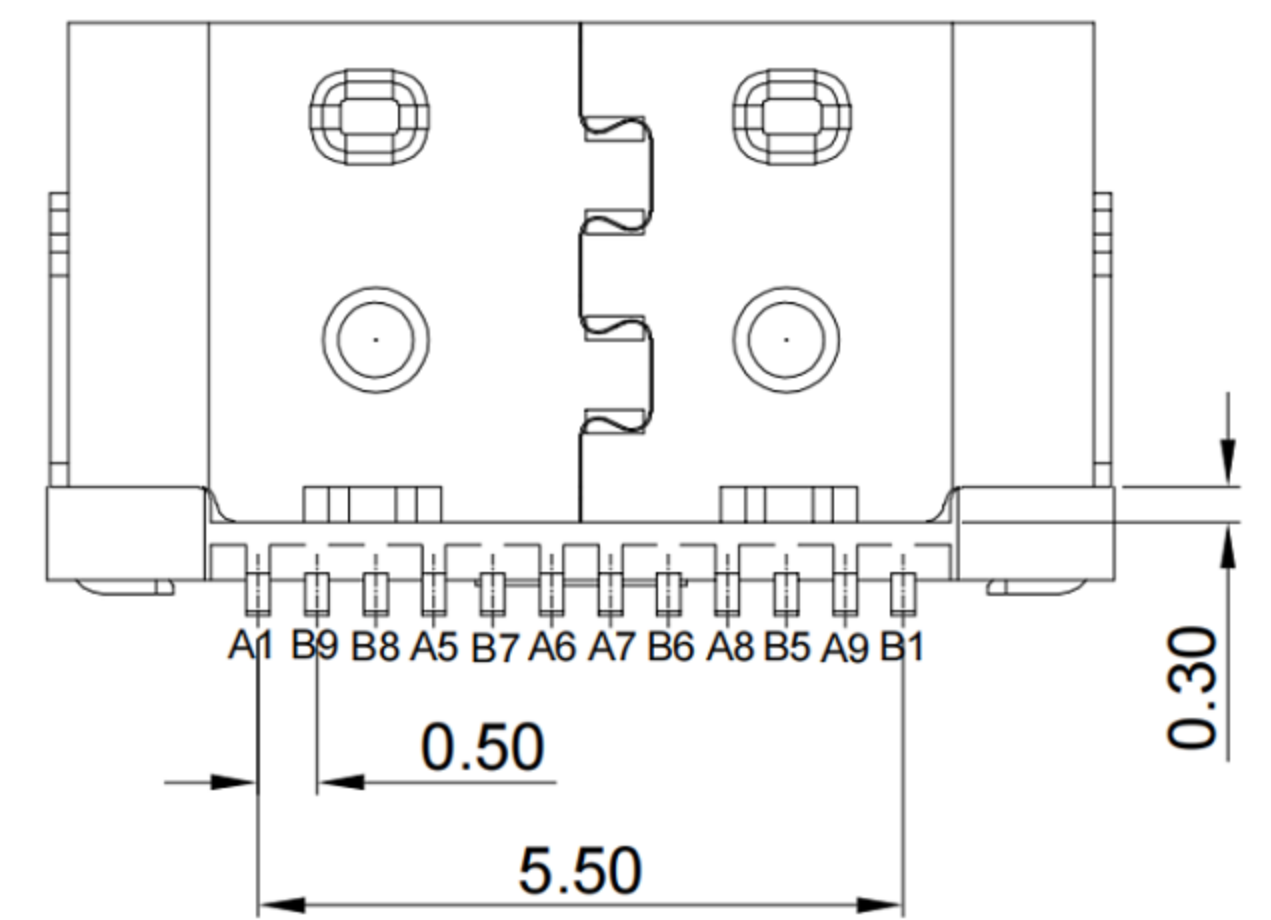
- Housing: LCP
- Contact: C18400
- Shell: SUS
- O-ring: Silicone

Finish:

- Contact: Plated Gold in Mating Area ;
Tin Plated on Solder Balls ;
Nickel under plated overall
- Shell: Nickel under Plated surface layer



RECOMMENDED PCB LAYOUT
TOLERANCE: ±0.05



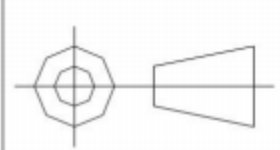
A1	A2	A3	A4	A5	A6	A7	A8	A9	A10	A11	A12
GND				CC1	D+	D-	SBU1	VBUS			
First				Second	Second	Second	Second	First			
B12	B11	B10	B9	B8	B7	B6	B5	B4	B3	B2	B1
			VBUS	SBU2	D-	D+	CC2				GND
			First	Second	Second	Second	Second				First

XB 东莞市溪榜电子有限公司
DONG GUAN XI BANG ELECTRONICS CO., LTD.

TOLERANCE UNLESS OTHERWISE STATED:

Up to 5	±0.2
Above 5 ~ 15	±0.3
Above 15 ~ 30	±0.4
Above 30 ~ 50	±0.5
Angle	±0.3°

3RD. ANGEL'S



UNITS MM

DRAWN BY:	DATE
Jack Lu	03/10/22
CHECKED BY:	DATE
Jacky Chen	03/10/22
APPROVED BY:	DATE
Tony Kao	03/10/22

MAT'L	TITLE	CONNECTOR
FINISH	MODLE	Horizontal Type-c 12P Female SMT CH=1.68 L=4.75mm
SCALE 1:1	DWG NO.	XB-USB-C-1201
SHEET NO. 1 of 1	PART NO.	

1	更新圖面	Jack	031022
ITEM NO.	DESCRIPTION	DRAWN	DATE

SIZE	A4
VER	R1