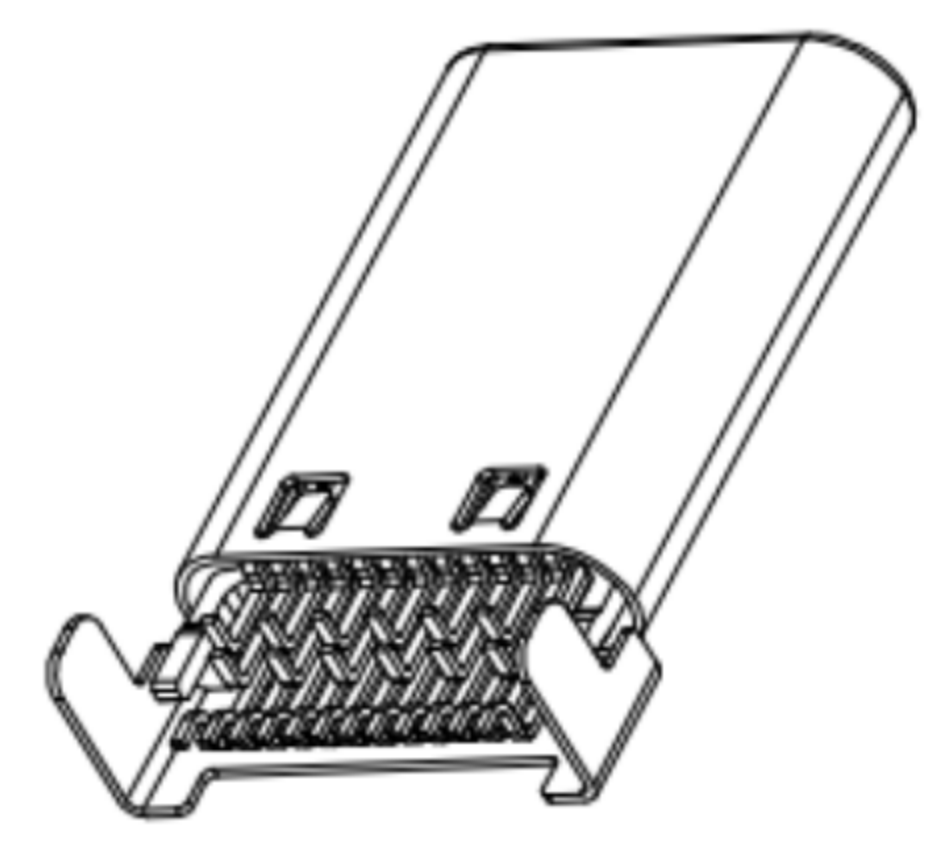
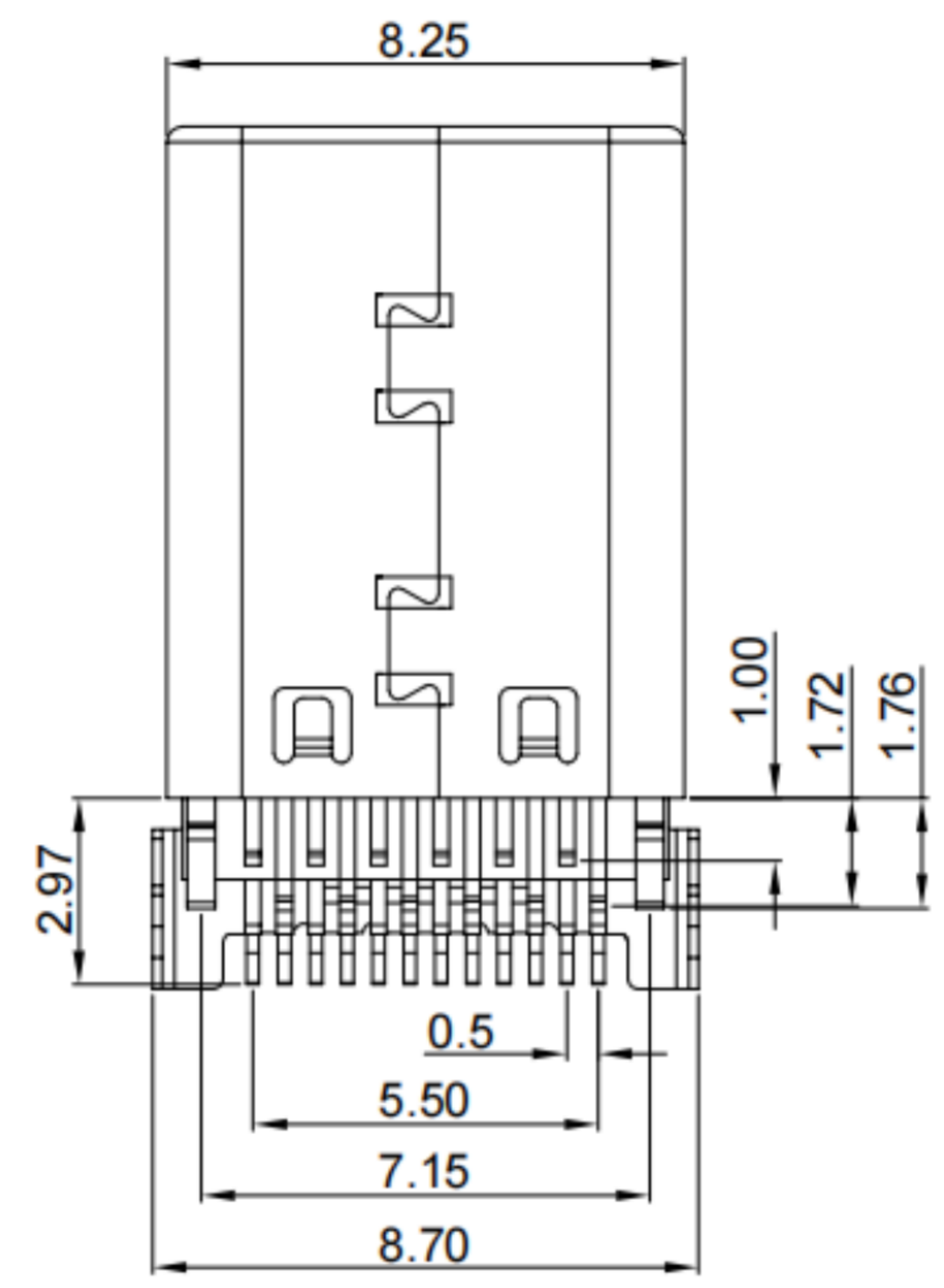
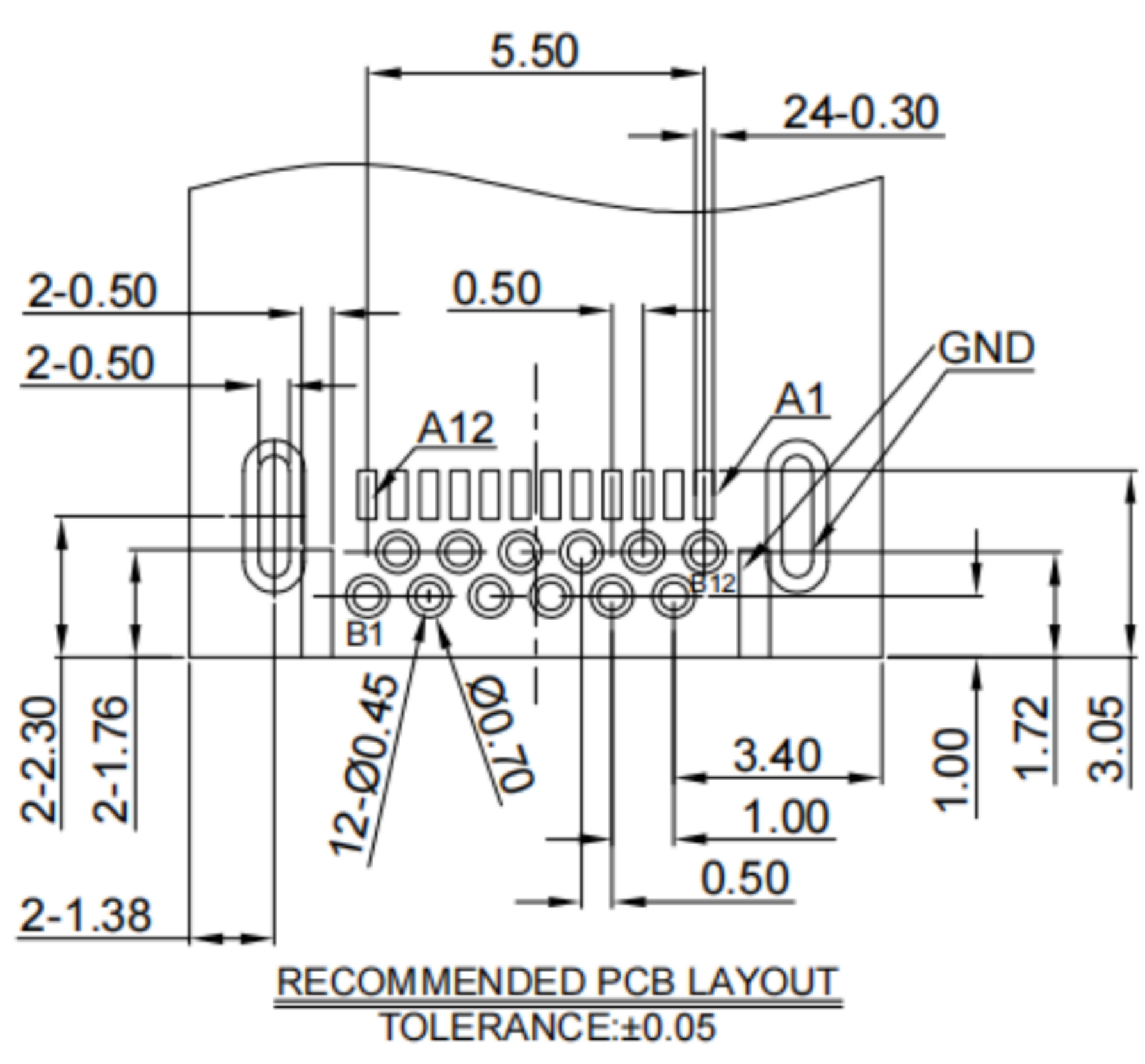
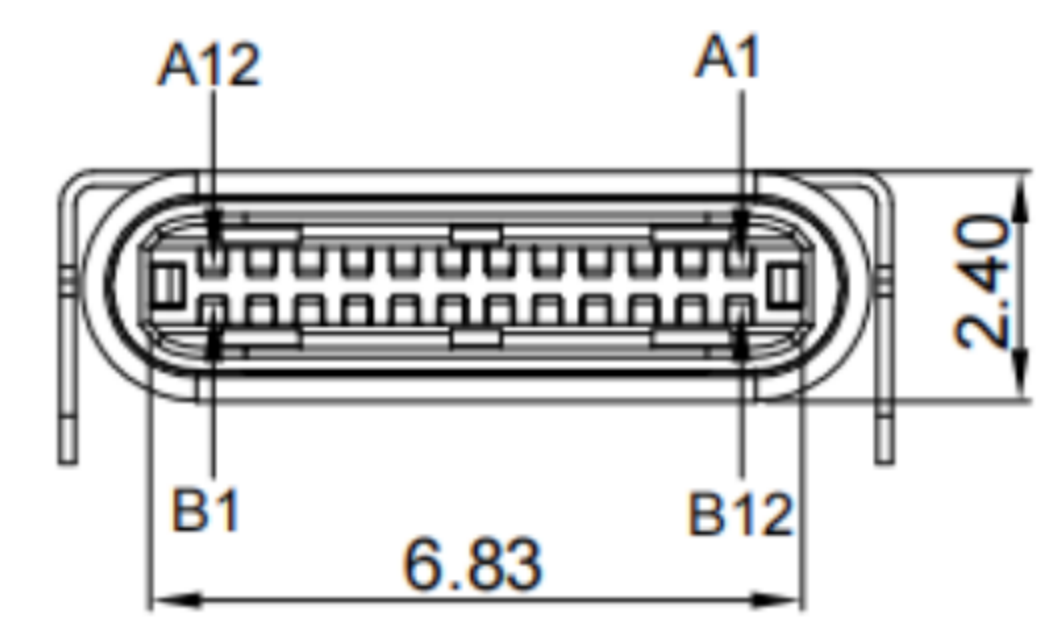
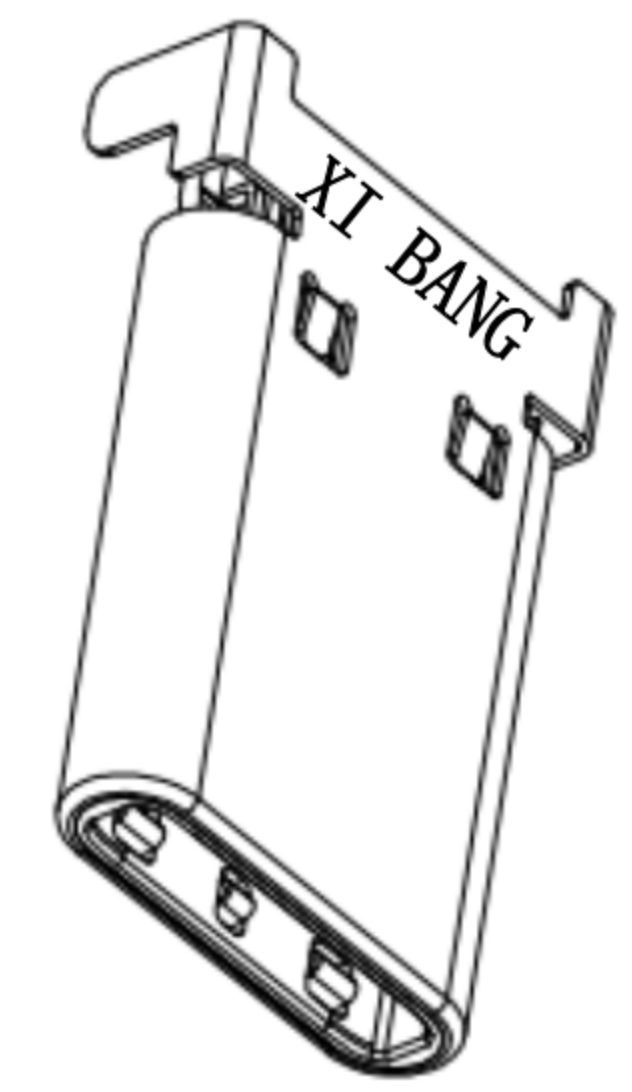
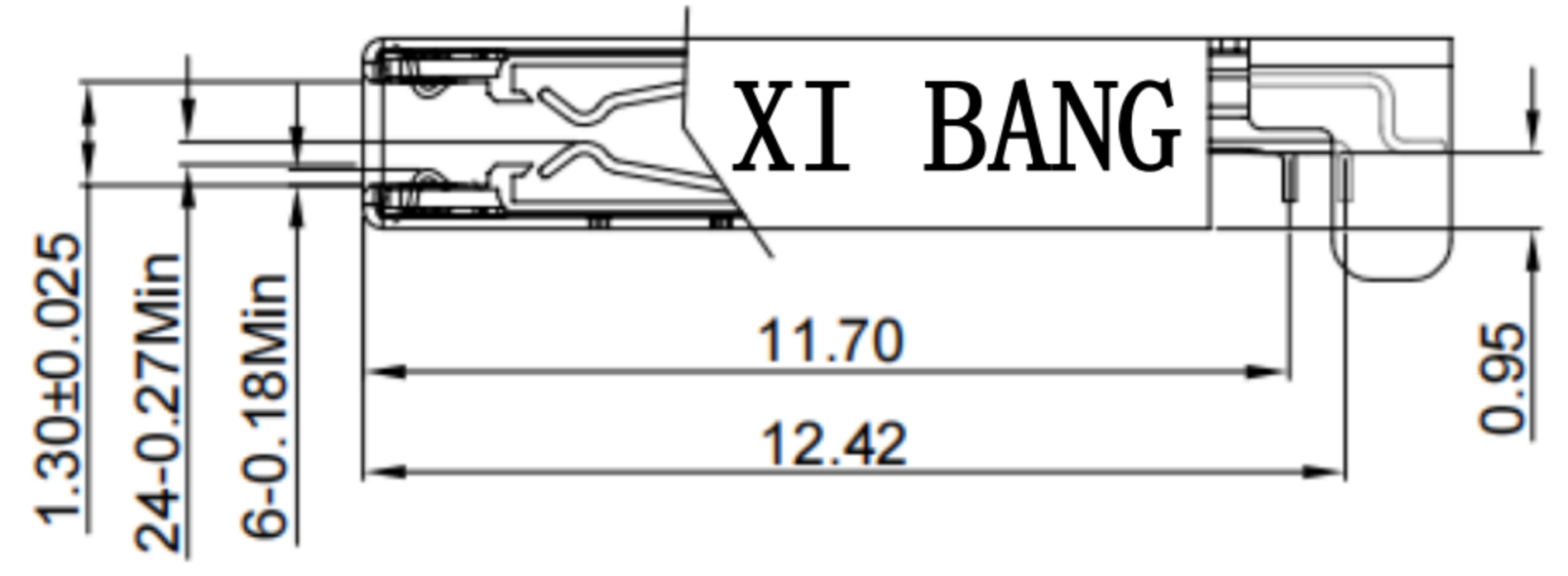


| | | | | | | | | | | | |
|-------|--------|--------|-------|--------|--------|--------|--------|-------|--------|--------|-------|
| A12 | A11 | A10 | A9 | A8 | A7 | A6 | A5 | A4 | A3 | A2 | A1 |
| GND | RX2+ | RX2- | VBUS | SBU1 | D- | D+ | CC1 | VBUS | TX1- | TX1+ | GND |
| First | Second | Second | First | Second | Second | Second | Second | First | Second | Second | First |
| B1 | B2 | B3 | B4 | B5 | B6 | B7 | B8 | B9 | B10 | B11 | B12 |
| GND | TX2+ | TX2- | VBUS | VCONN | | | SBU2 | VBUS | RX1- | RX1+ | GND |
| First | Second | Second | First | Second | | | Second | First | Second | Second | First |



鍍層厚度：
Blank : 1u"
2 : 15u"
3 : 30u"



SPECIFICATIONS

Electrical:

1. Rating: 3.0A (V BUS&GND), 0.25A (Other Pin)
2. Voltage rating: 12V 24V AC
3. Contact Resistance: 40 mΩ Max
4. Insulation Resistance: 100 MΩ Min
5. Dielectric Withstanding Voltage: 100V AC
6. Operating temperature: -40° C ~ +85° C
7. Waterproof grade: IP 50
8. Durability cycle: 10,000 cycles

Mechanical:

1. Connector Mate and Unmate Force
- 1.1 Mate force: 5~20 N .
- 1.2 Unmate force: 8~20 N

Material:

1. Housing: LCP
2. Contact: C18400
3. Shell: SUS
4. O-ring: Silicone

Finish:

1. Contact: Plated Gold in Mating Area ; Tin Plated on Solder Balls ; Nickel under plated overall
2. Shell: Nickel under Plated surface layer

XIB 东莞市溪榜电子有限公司
DONG GUAN XI BANG ELECTRONICS CO., LTD.

TOLERANCE UNLESS OTHERWISE STATED:
Up to 5 ±0.2
Above 5 ~ 15 ±0.3
Above 15 ~ 30 ±0.4
Above 30 ~ 50 ±0.5
Angle ±0.3°

3RD. ANGEL'S

UNITS MM

| | | | | |
|--------------|----------|-----------|----------|---|
| DRAWN BY: | DATE | MAT'L | TITLE | CONNECTOR |
| Jack Lu | 03/10/22 | | | |
| CHECKED BY: | DATE | FINISH | MODLE | Horizontal Type-c 24P Plug Sink SMT+DIP L=13.75mm |
| Jacky Chen | 03/10/22 | | | |
| APPROVED BY: | DATE | SCALE | DWG NO. | XB-USB-C-T-2401 |
| Tony Kao | 03/10/22 | 1:1 | | |
| | | SHEET NO. | PART NO. | |
| | | 1 of 1 | | |

| | | | |
|----------|-------------|-------|--------|
| 1 | 更新圖面 | Jack | 031022 |
| ITEM NO. | DESCRIPTION | DRAWN | DATE |