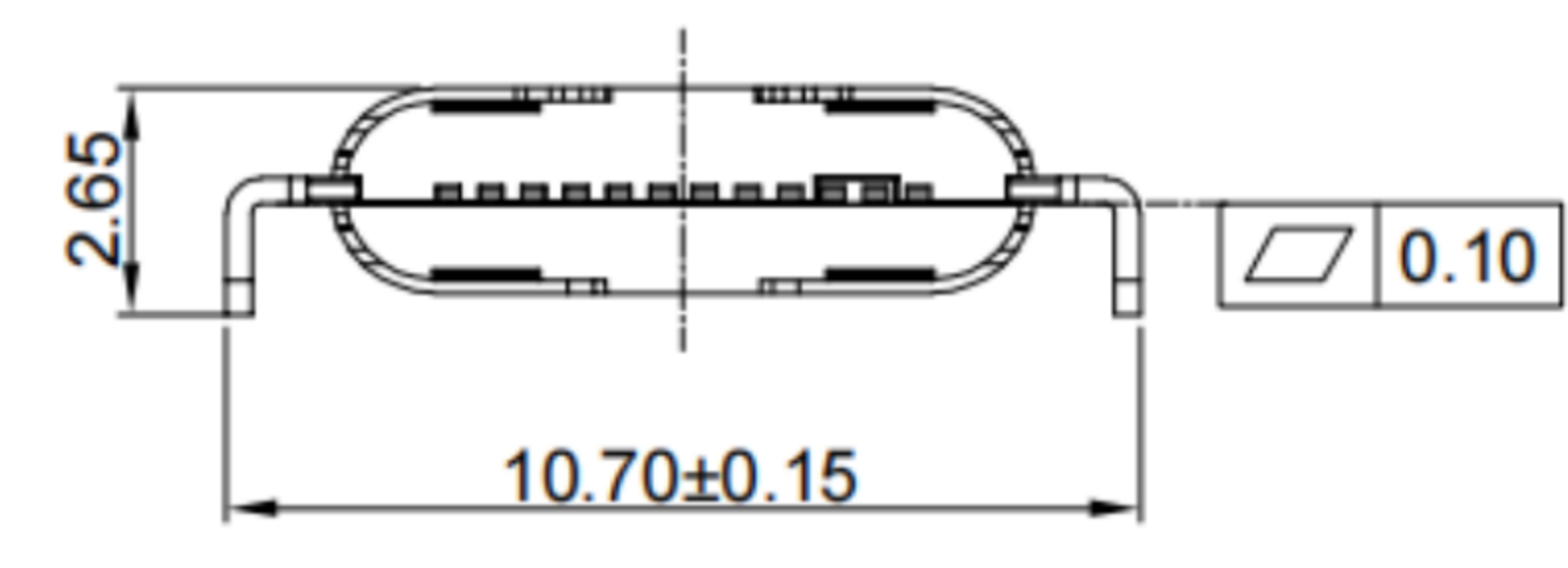
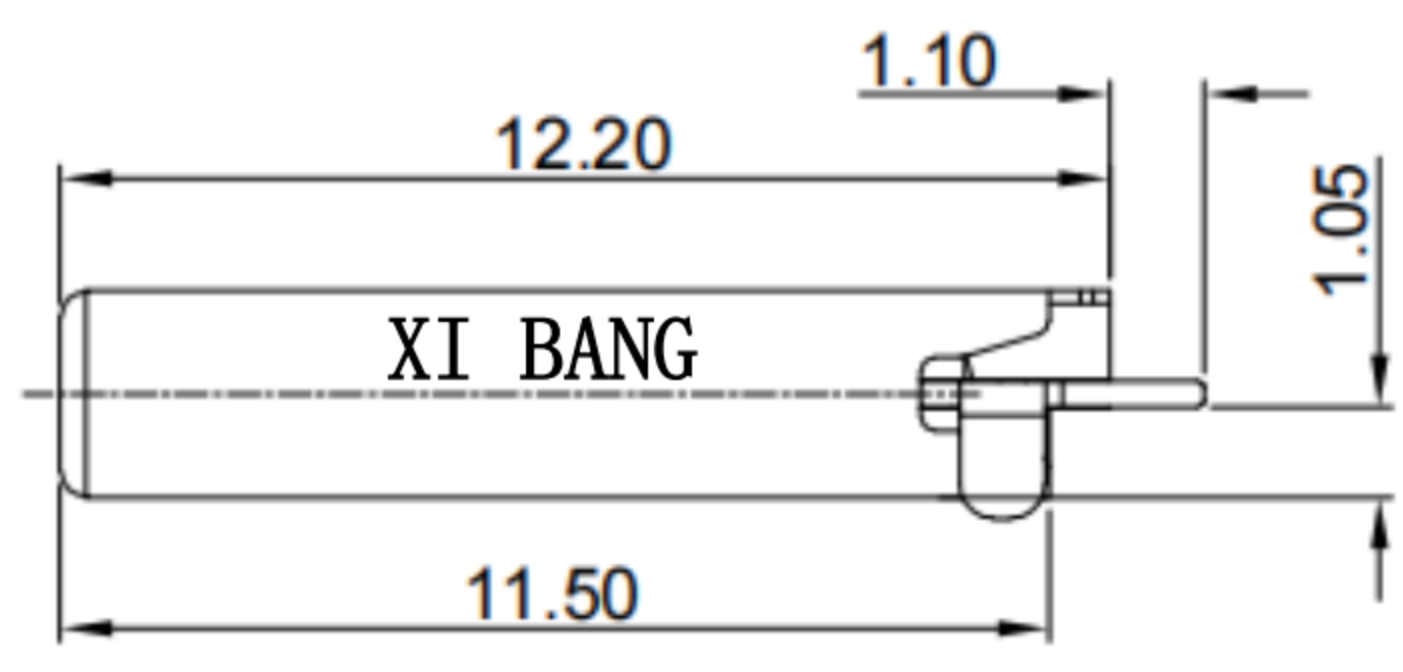
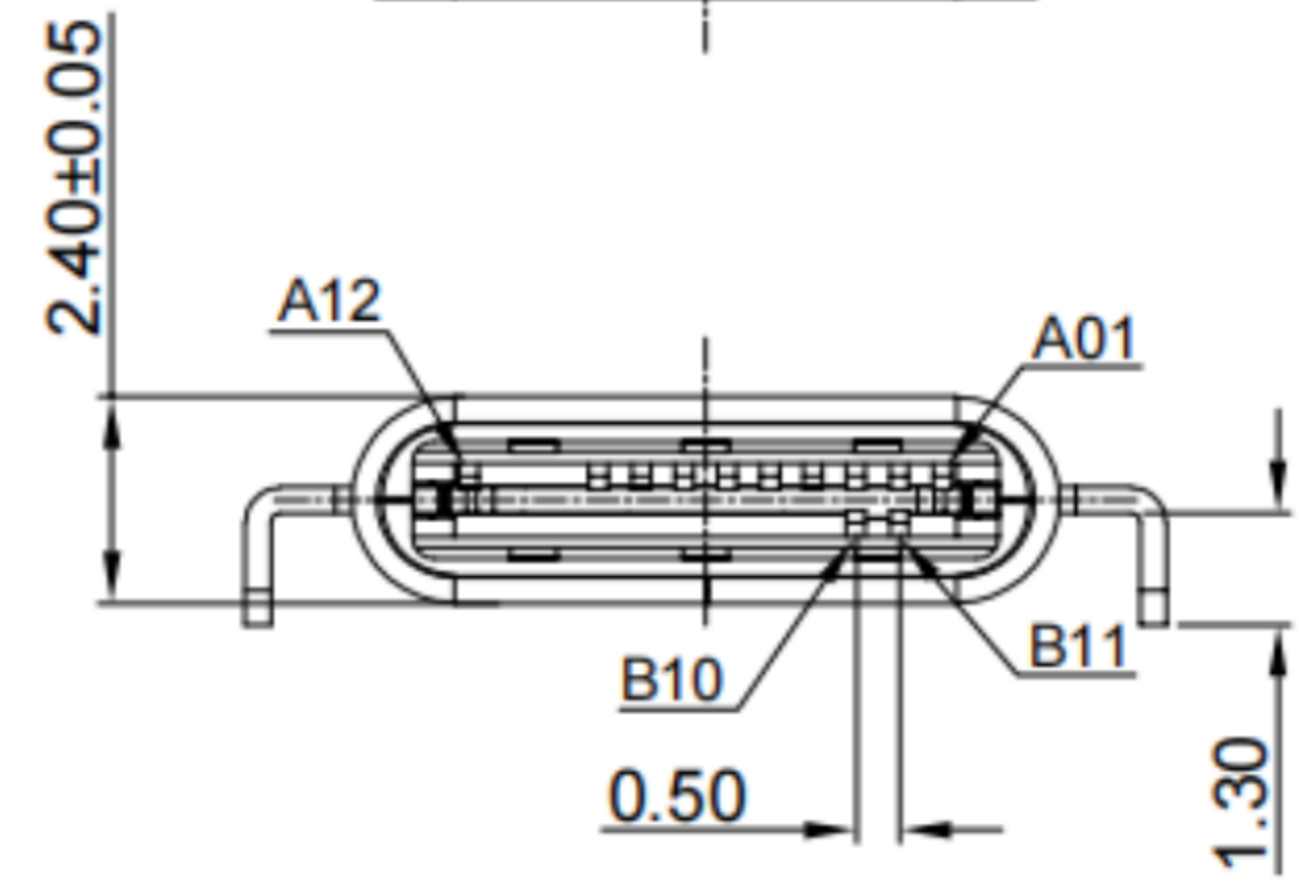
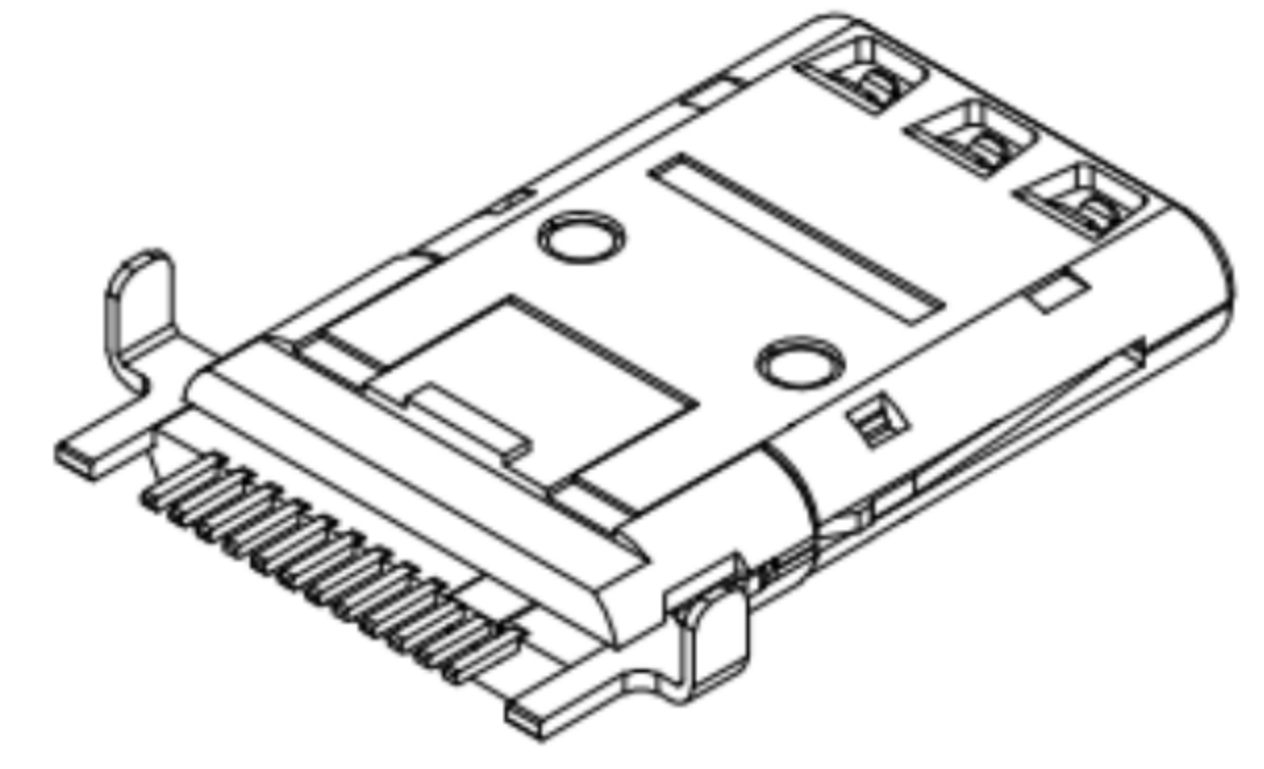
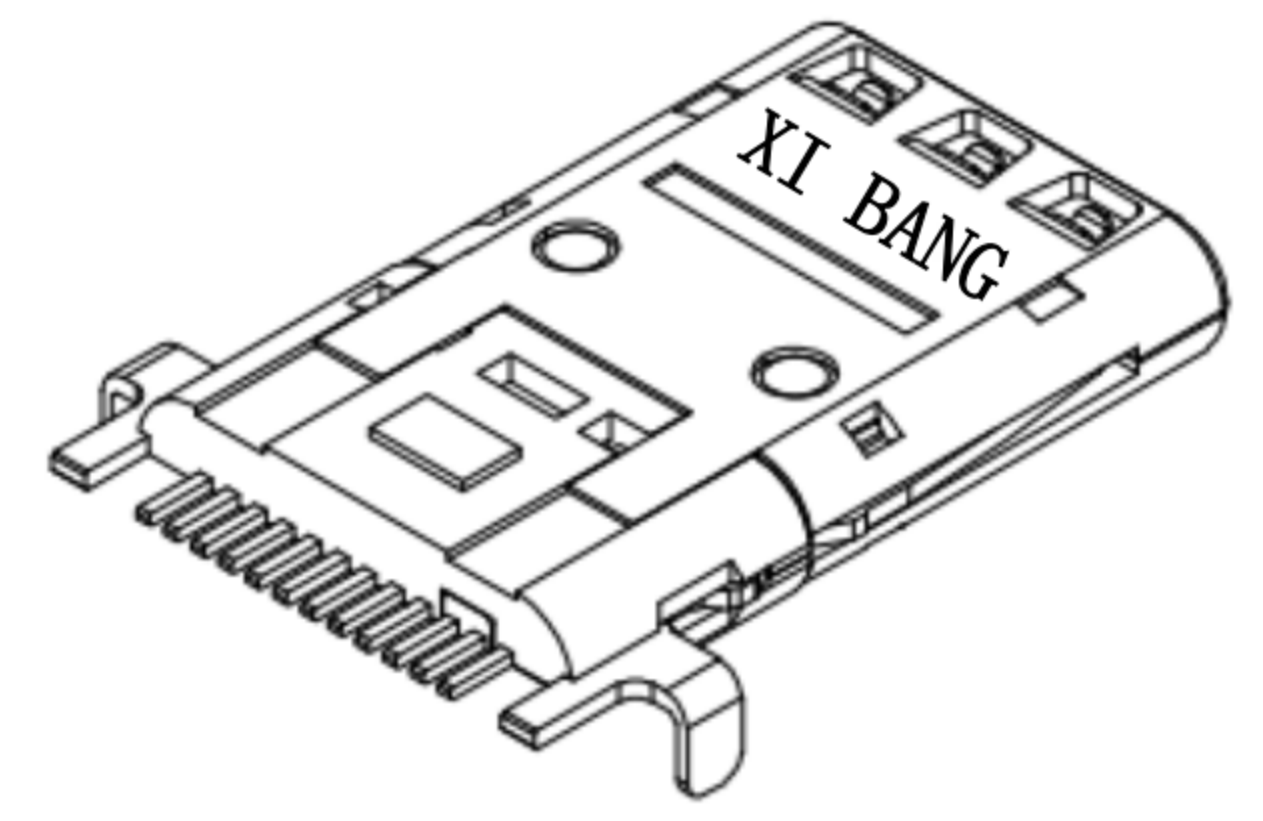
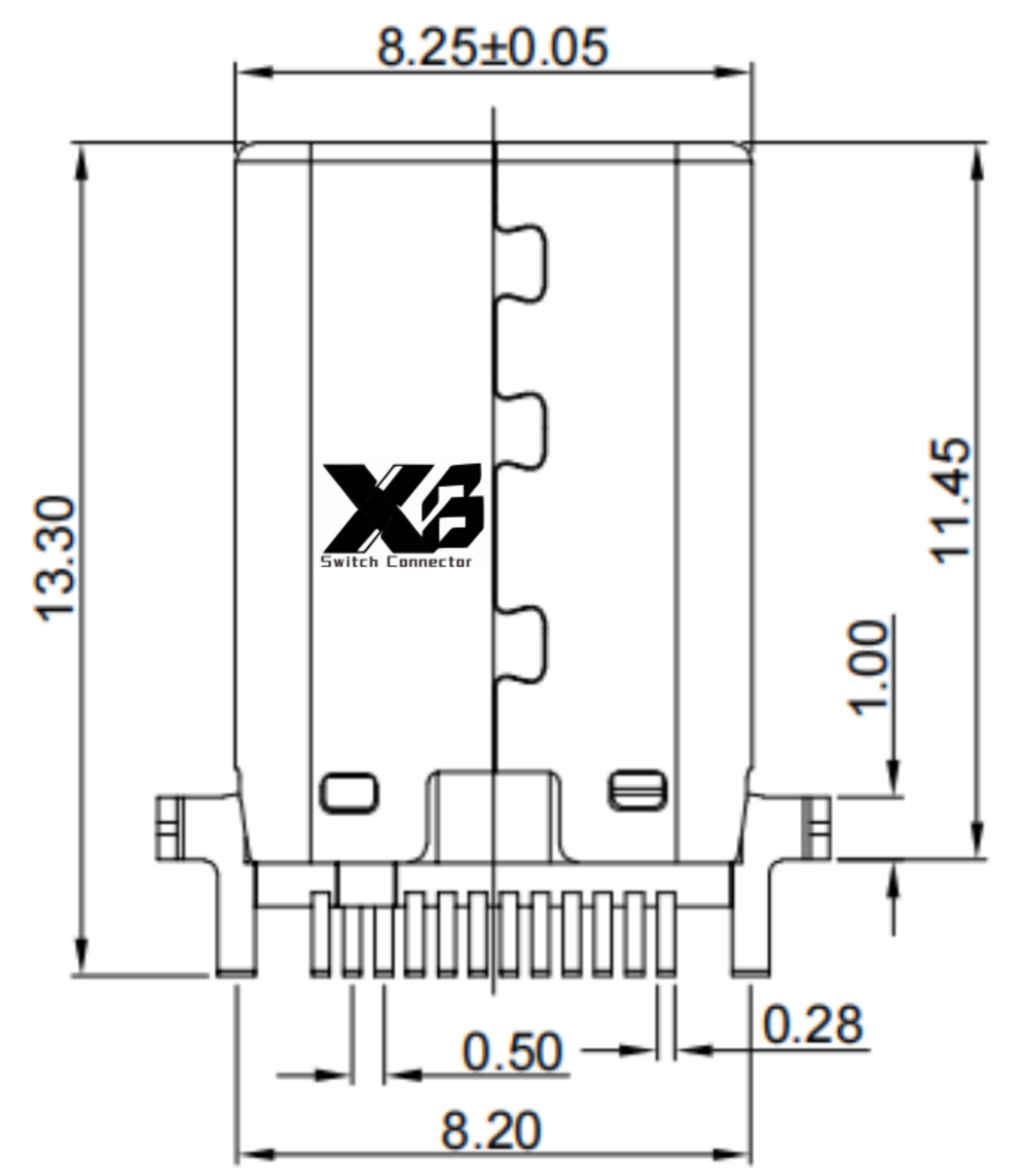
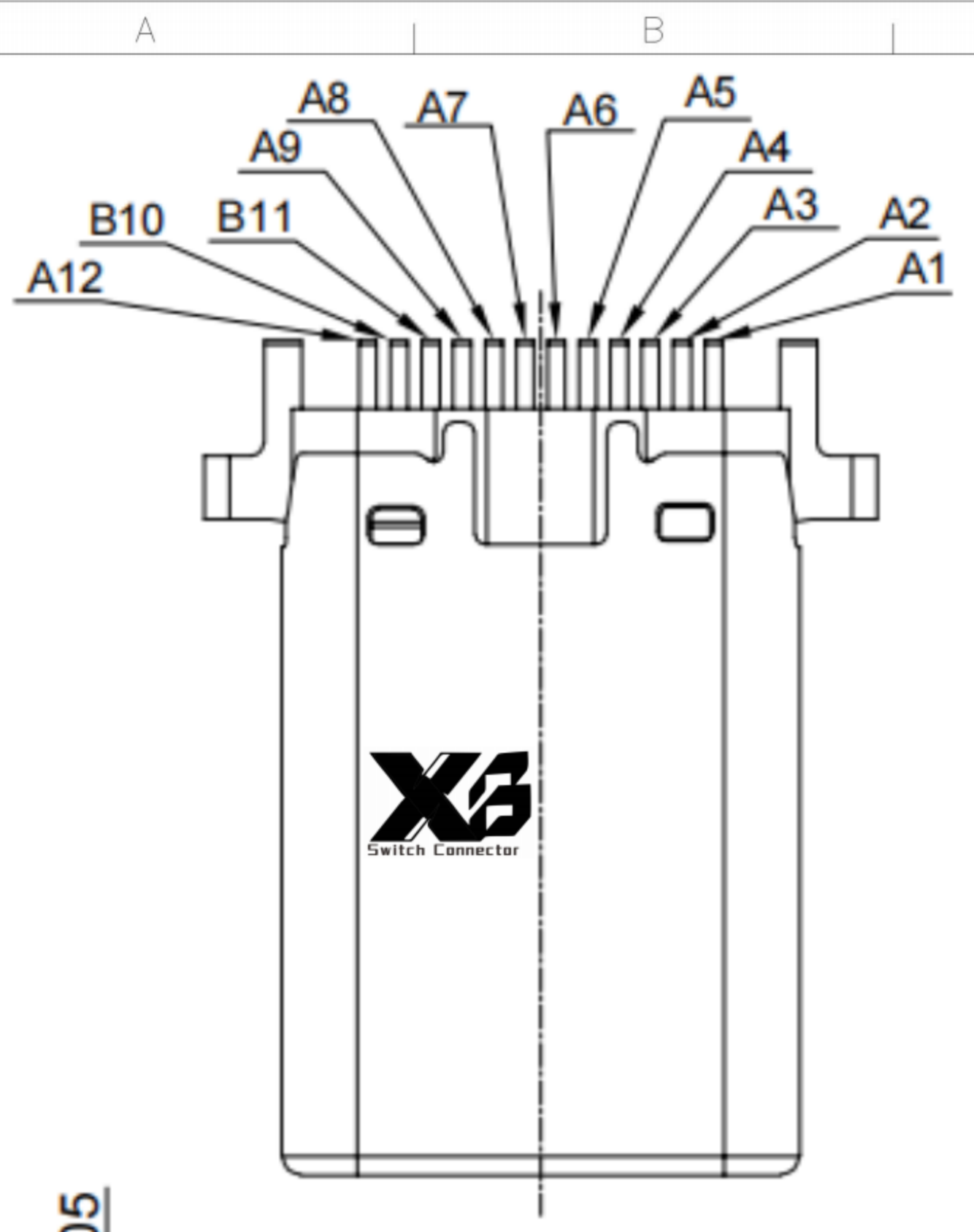




鍍層厚度:

Blank : 1u"
2 : 15u"
3 : 30u"



SPECIFICATIONS

Electrical:

1. Rating: 3.0A (V BUS&GND), 0.25A (Other Pin)
2. Voltage rating: 12V 24V AC
3. Contact Resistance: 40 mΩ Max
4. Insulation Resistance: 100 MΩ Min
5. Dielectric Withstanding Voltage: 100V AC
6. Operating temperature: -40° C ~ +85° C
7. Waterproof grade: IP 50
8. Durability cycle: 10,000 cycles

Mechanical:

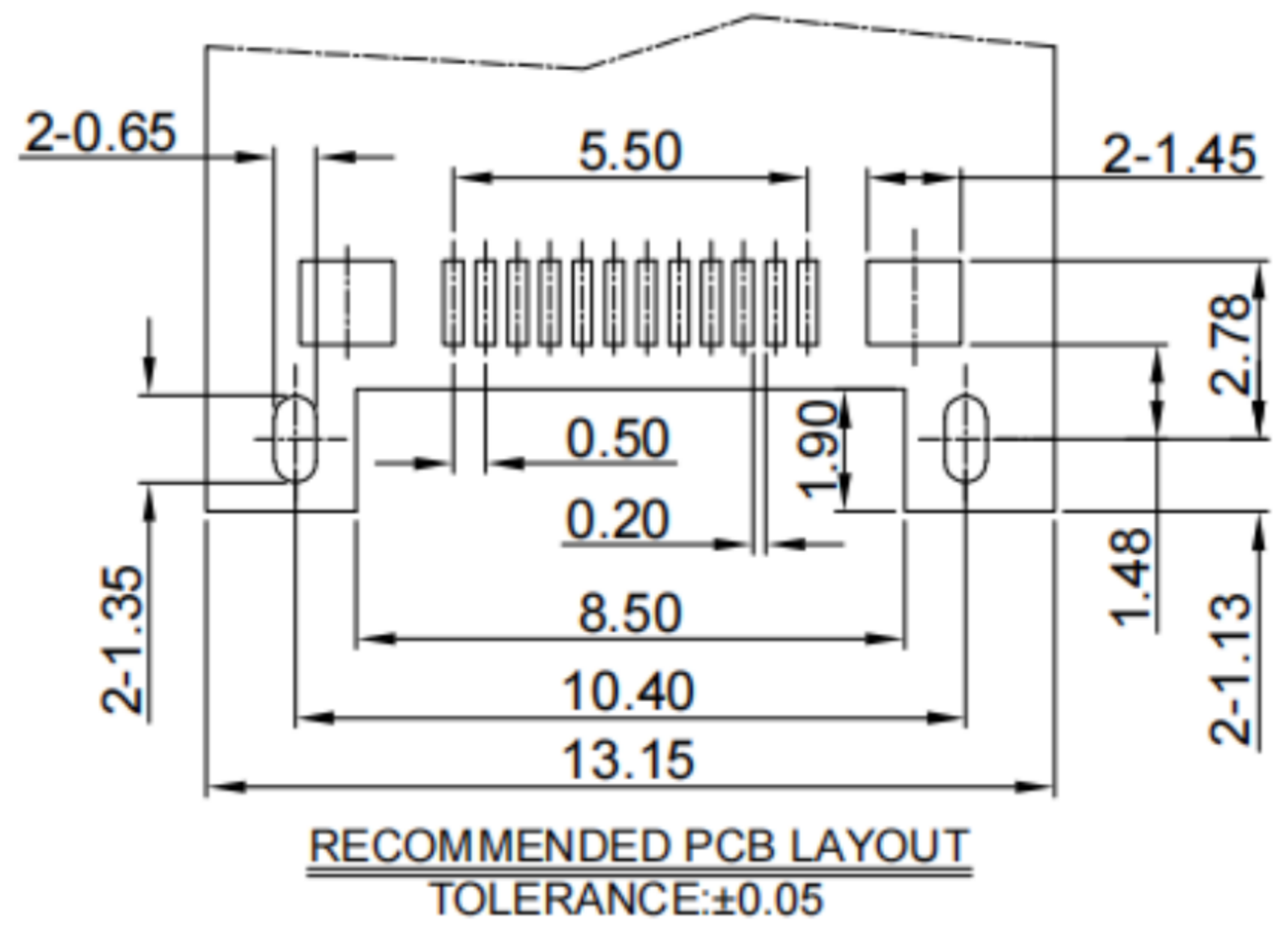
1. Connector Mate and Unmate Force
 - 1.1 Mate force: 5~20 N .
 - 1.2 Unmate force: 8~20 N

Material:

1. Housing: LCP
2. Contact: C18400
3. Shell: SUS
4. O-ring: Silicone

Finish:

1. Contact: Plated Gold in Mating Area ;
Tin Plated on Solder Balls ;
Nickel under plated overall
2. Shell: Nickel under Plated surface layer



A12	A11	A10	A9	A8	A7	A6	A5	A4	A3	A2	A1
GND			VBUS	SUB1	D-	D+	CC1	VBUS	TX1-	TX1+	GND
First			First	Second	Second	Second	Second	First	Second	Second	First
B1	B2	B3	B4	B5	B6	B7	B8	B9	B10	B11	B12
									RX1-	RX1+	
									Second	Second	

XB 东莞市溪榜电子有限公司
DONG GUAN XI BANG ELECTRONICS CO., LTD.

TOLERANCE UNLESS OTHERWISE STATED:
 Up to 5 ±0.2
 Above 5 ~ 15 ±0.3
 Above 15 ~ 30 ±0.4
 Above 30 ~ 50 ±0.5
 Angle ±0.3°

3RD. ANGEL'S

UNITS MM

DRAWN BY:	DATE	MAT'L	TITLE	CONNECTOR
Jack Lu	03/10/22			
CHECKED BY:	DATE	FINISH	MODLE	Horizontal Type-c 12P Plug Sink 1.05 SMT L=12.2mm
Jacky Chen	03/10/22			
APPROVED BY:	DATE	SCALE	DWG NO.	XB-USB-C-T-1201
Tony Kao	03/10/22	1:1		
		SHEET NO.	PART NO.	
		1 of 1		

1	更新圖面	Jack	031022
ITEM NO.	DESCRIPTION	DRAWN	DATE