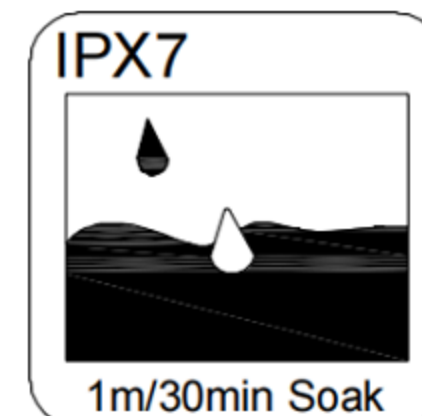
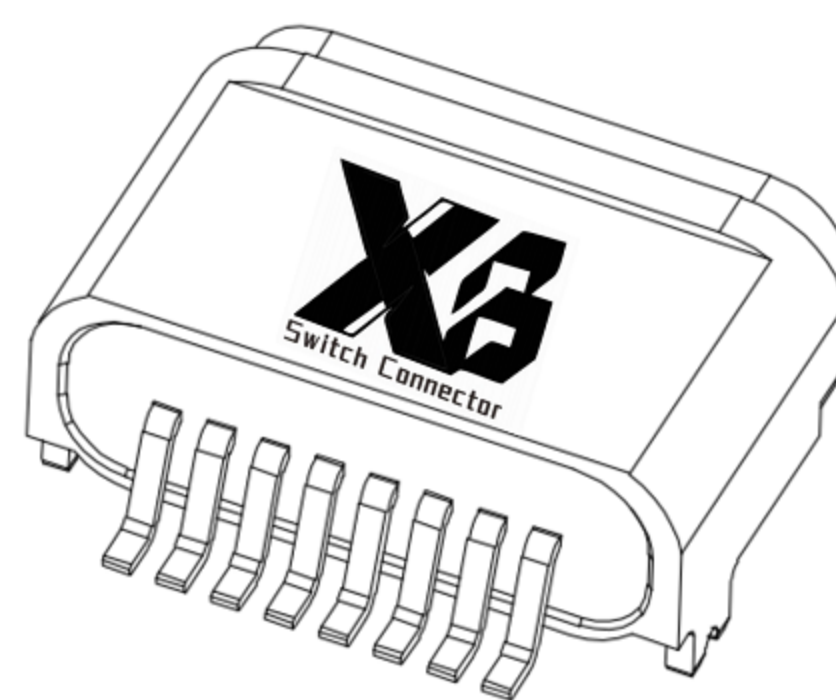


Schematic diagram of waterproof structure  
The thickness of the waterproof ring is 0.7, compressed to 0.4



IPX7



鍍層厚度:

Blank : 1u"
2 : 15u"
3 : 30u"

**SPECIFICATIONS**

**Electrical:**

1. Rating: 5.0A (V BUS&GND), 0.25A (Other Pin)
2. Voltage rating: 12V 24V AC
3. Contact Resistance: 40 mΩ Max
4. Insulation Resistance: 100 MΩ Min
5. Dielectric Withstanding Voltage: 100V AC
6. Operating temperature: -40° C ~ +85° C
7. Waterproof grade: IP-X7
8. Durability cycle: 10,000 cycles

**Mechanical:**

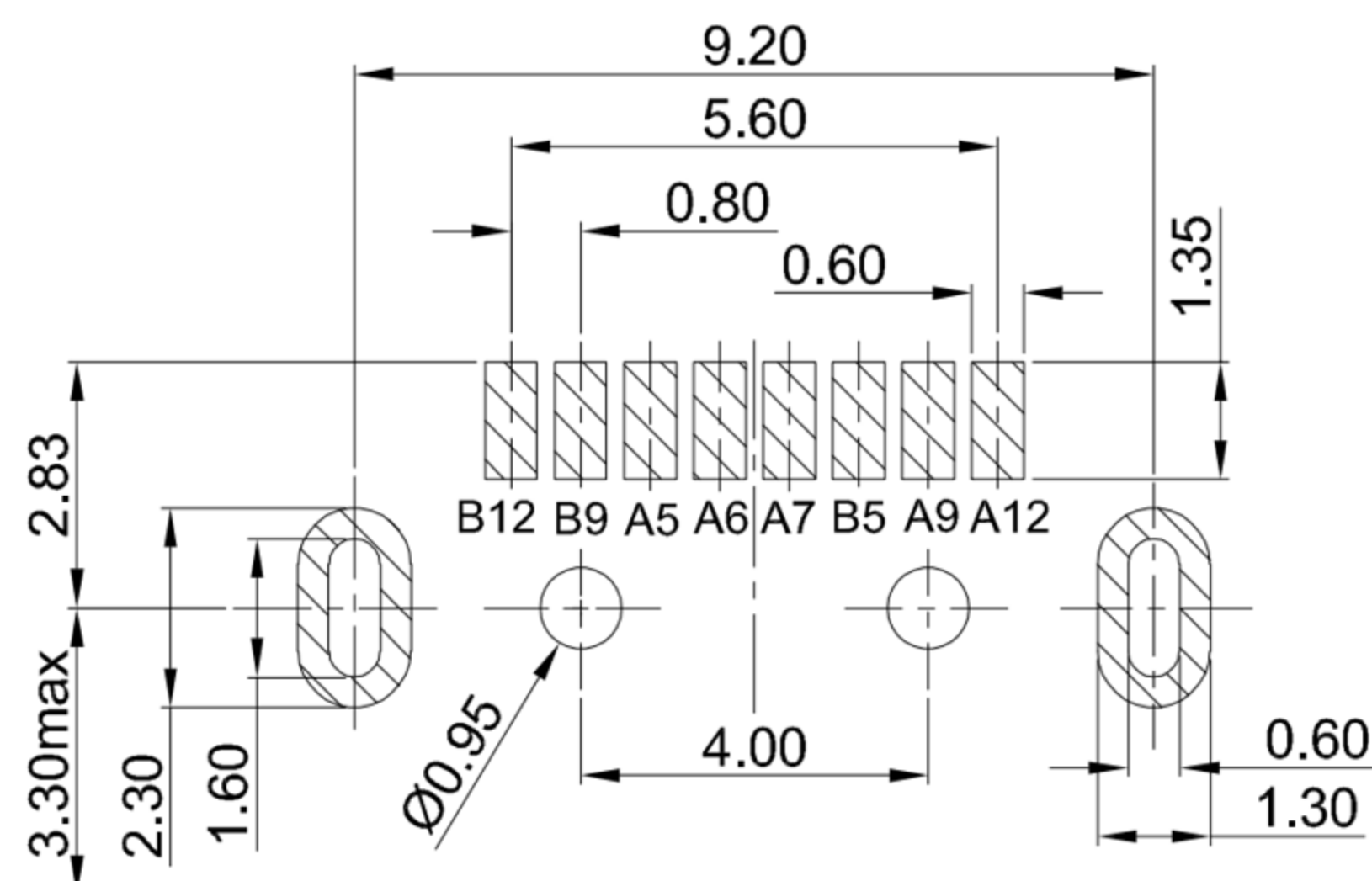
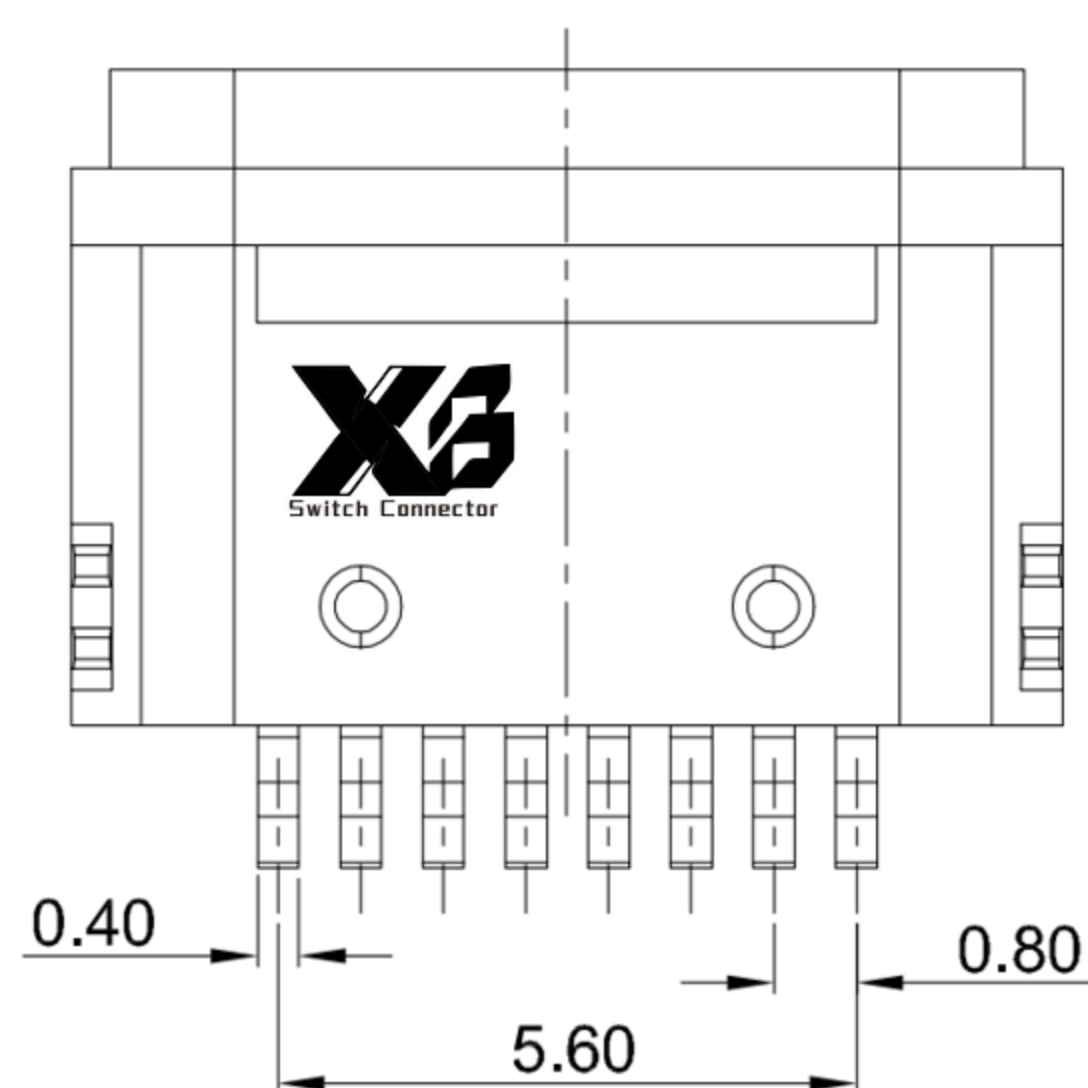
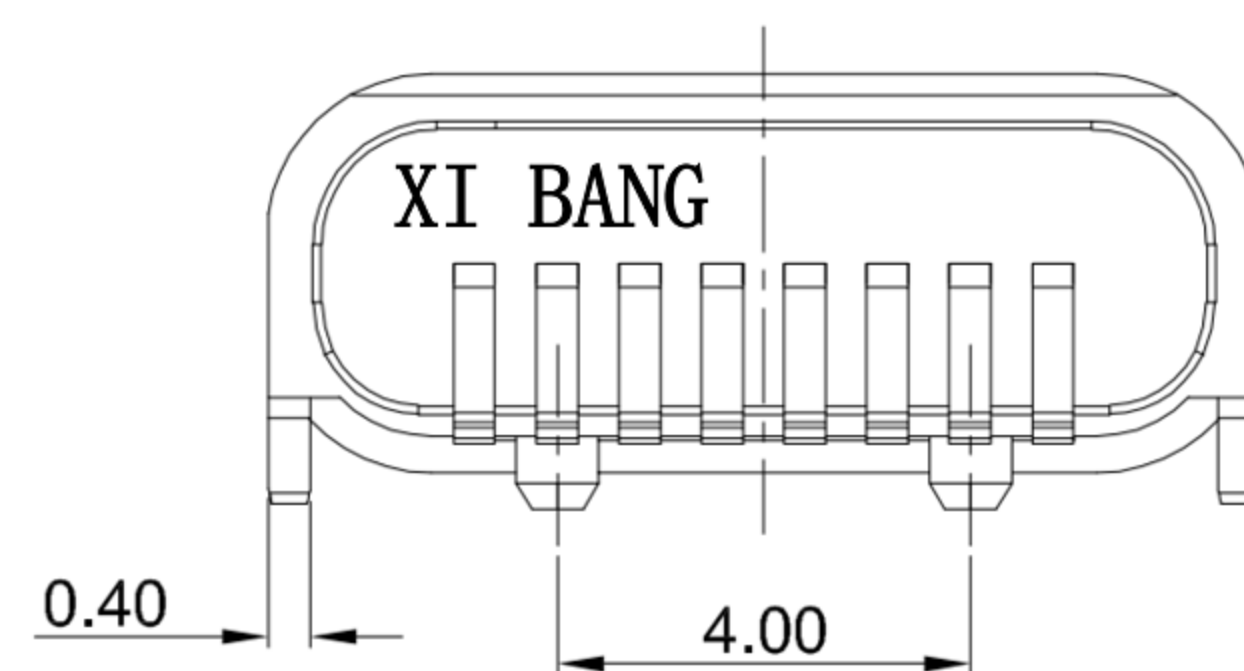
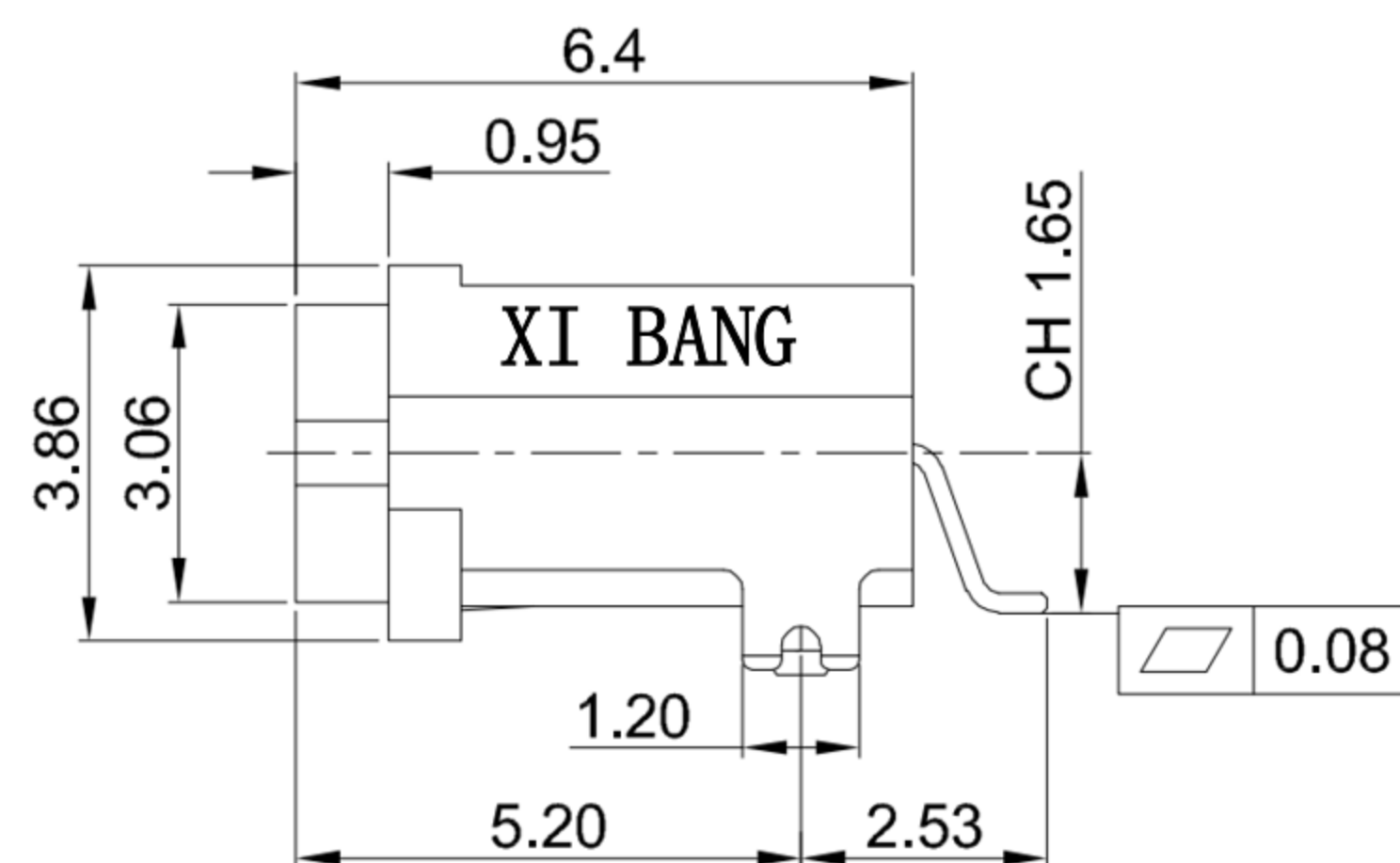
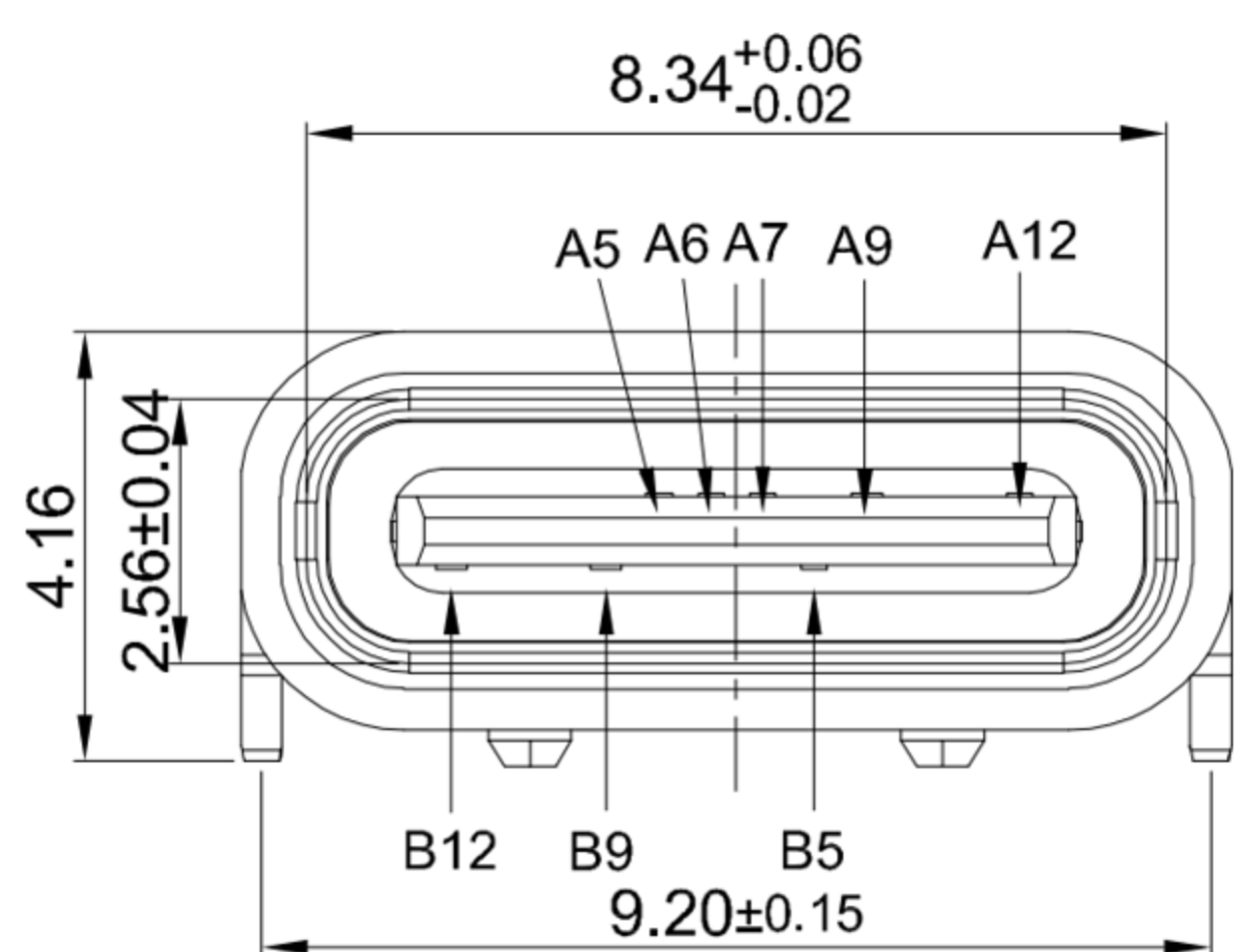
1. Connector Mate and Unmate Force
- 1.1 Mate force: 5~20 N .
- 1.2 Unmate force: 8~20 N

**Material:**

1. Housing: LCP
2. Contact: C18400
3. Shell: SUS
4. O-ring: Silicone

**Finish:**

1. Contact: Plated Gold in Mating Area ;  
Tin Plated on Solder Balls ;  
Nickel under plated overall
2. Shell: Nickel under Plated surface layer



PCB LAYOUT FOR REFERENCE ONLY  
TOLERANCE ±0.05

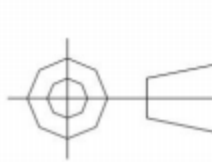
A1	A2	A3	A4	A5	A6	A7	A8	A9	A10	A11	A12
				CC1	Dp1	Dn1		VBUS			GND
				Second	Second	Second		First			First
B12	B11	B10	B9	B8	B7	B6	B5	B4	B3	B2	B1
GND			VBUS				CC2				
First			First				Second				

**X3** 东莞市溪榜电子有限公司  
DONG GUAN XI BANG ELECTRONICS CO., LTD.

TOLERANCE UNLESS OTHERWISE STATED:

Up to 5 ±0.2  
Above 5 ~ 15 ±0.3  
Above 15 ~ 30 ±0.4  
Above 30 ~ 50 ±0.5  
Angle ±0.3°

3RD. ANGEL'S



UNITS

MM

DRAWN BY: Jack Lu  
DATE: 03/10/22  
CHECKED BY: Jacky Chen  
DATE: 03/10/22  
APPROVED BY: Tony Kao  
DATE: 03/10/22

MAT'L  
FINISH  
SCALE  
SHEET NO.

TITLE  
MODLE  
DWG NO.  
PART NO.

CONNECTOR  
Horizontal Type-c 8P Female  
SMT CH=1.65 L=6.4mm  
XB-USB-C-8002-FS

SIZE  
A4  
VER  
R1

1	更新圖面	Jack	031022
ITEM NO.	DESCRIPTION	DRAWN	DATE