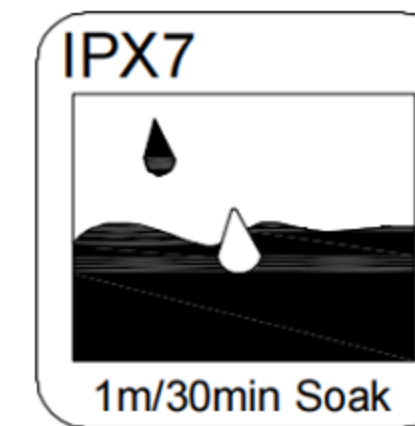
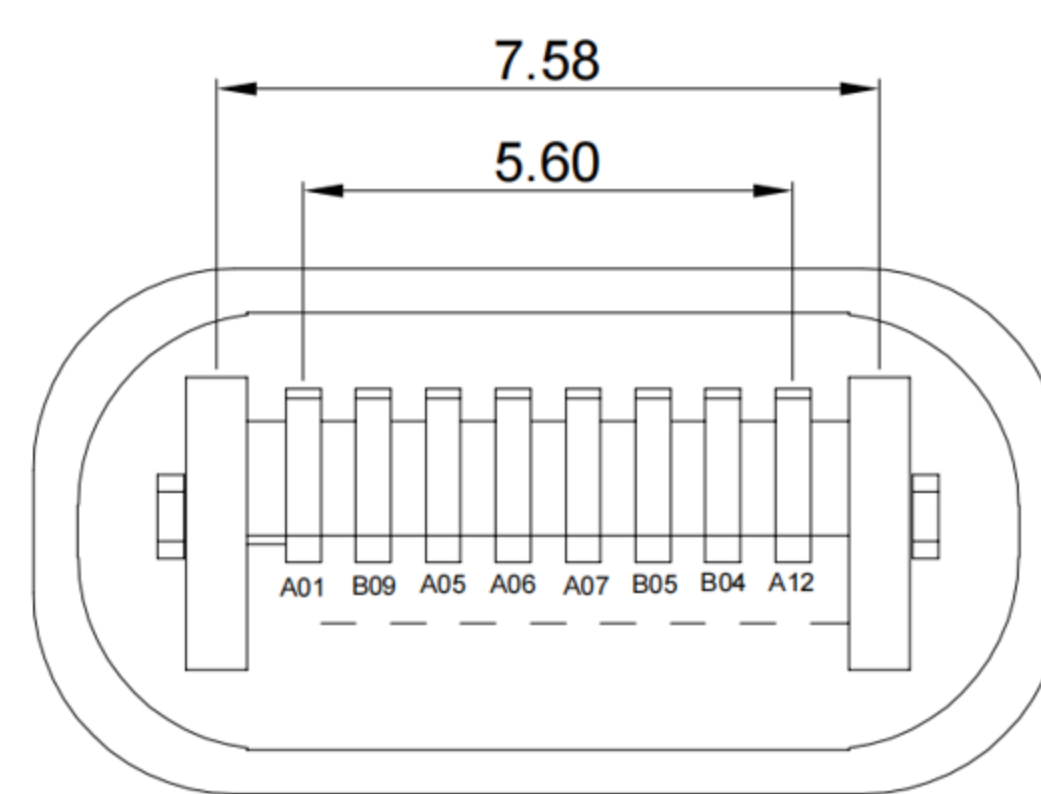
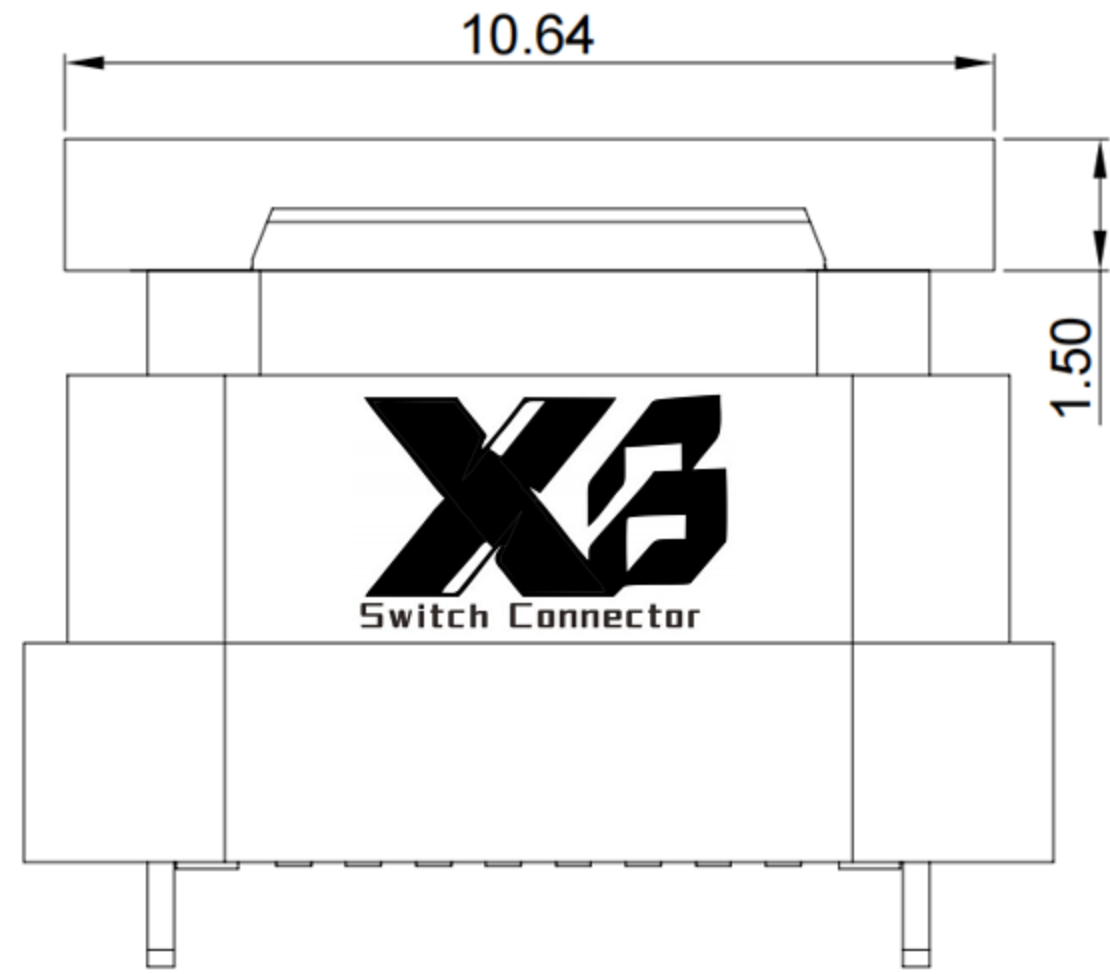


Schematic diagram of adding a waterproof ring



IPX7



鍍層厚度:

Blank : 1u"
2 : 15u"
3 : 30u"

SPECIFICATIONS

Electrical:

1. Rating: 5.0A (V BUS&GND), 0.25A (Other Pin)
2. Voltage rating: 12V 24V AC
3. Contact Resistance: 40 mΩ Max
4. Insulation Resistance: 100 MΩ Min
5. Dielectric Withstanding Voltage: 100V AC
6. Operating temperature: -40° C ~ +85° C
7. Waterproof grade: IP-X7
8. Durability cycle: 10,000 cycles

Mechanical:

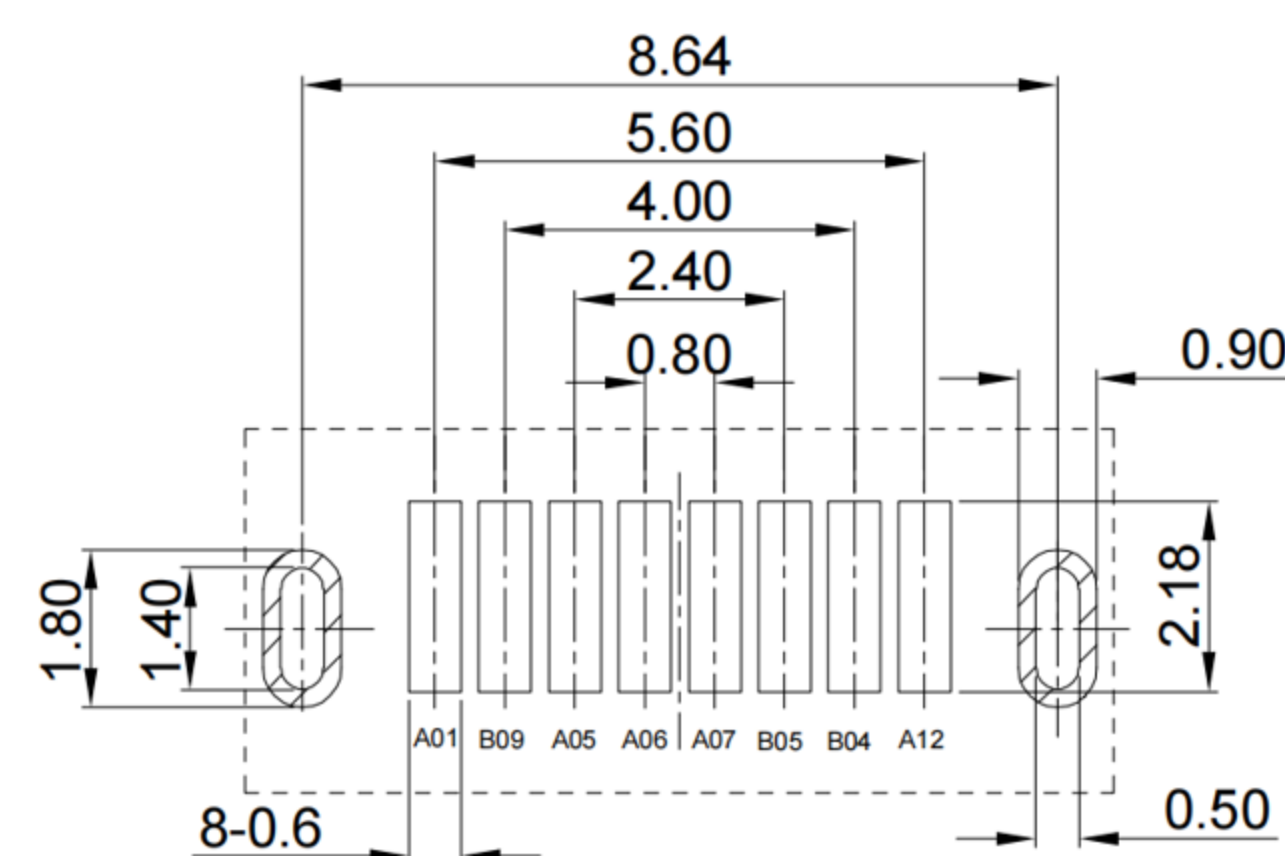
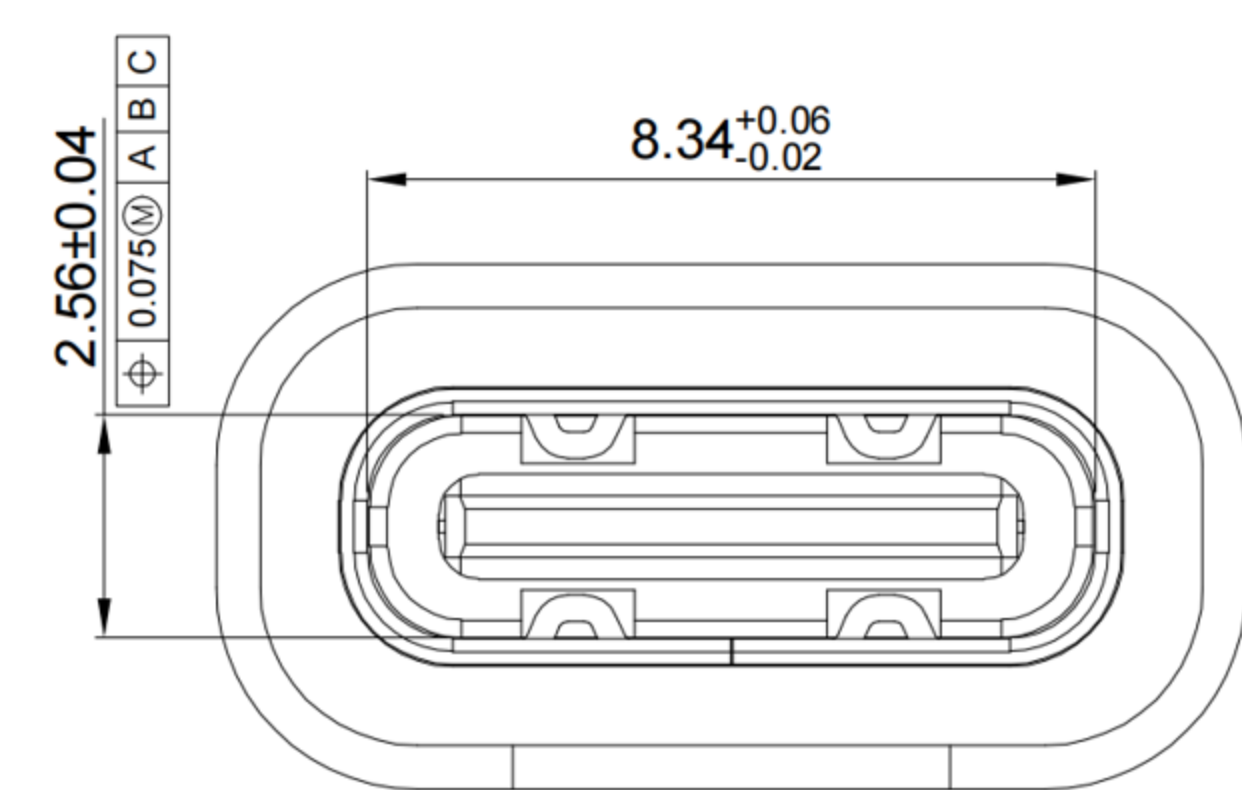
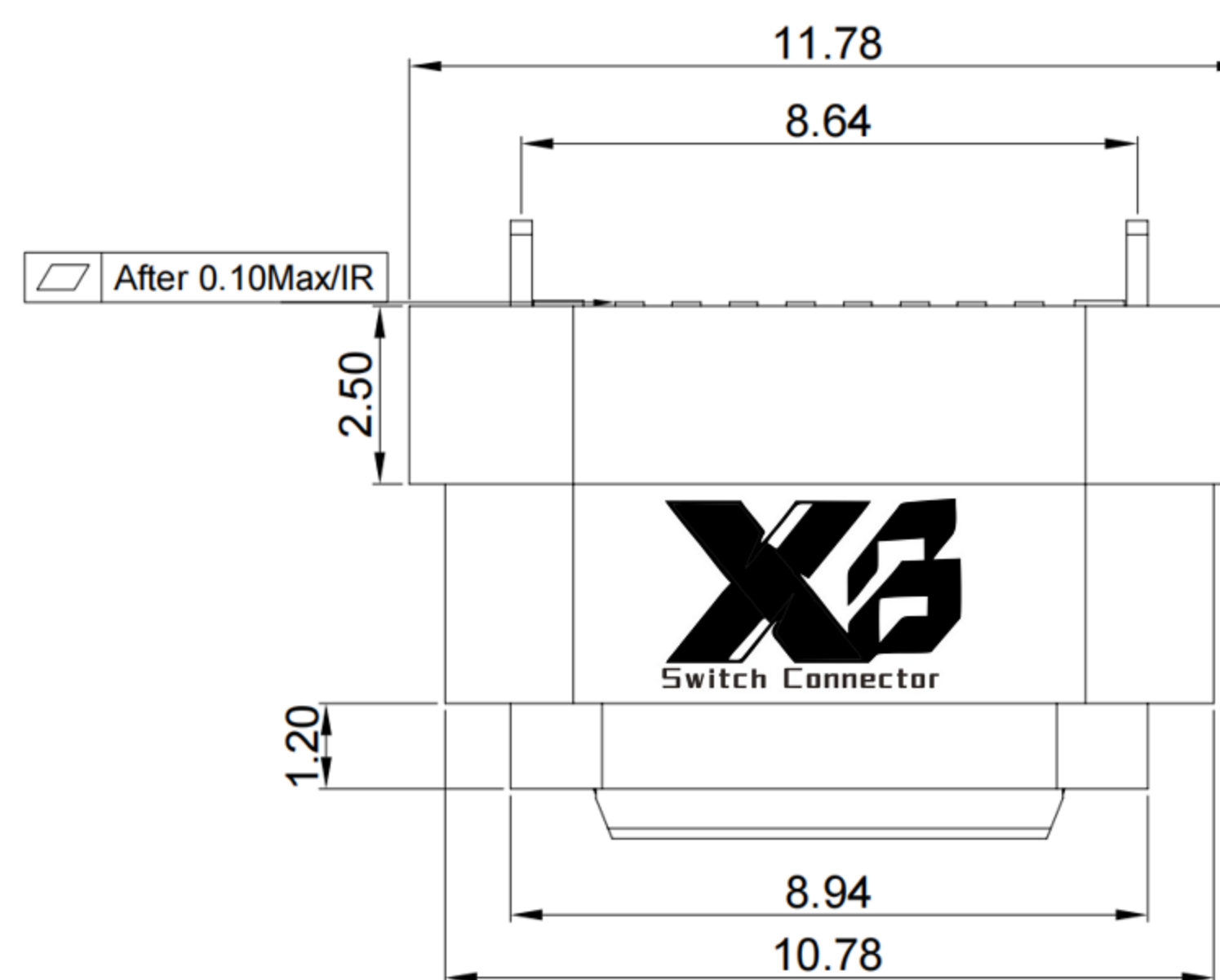
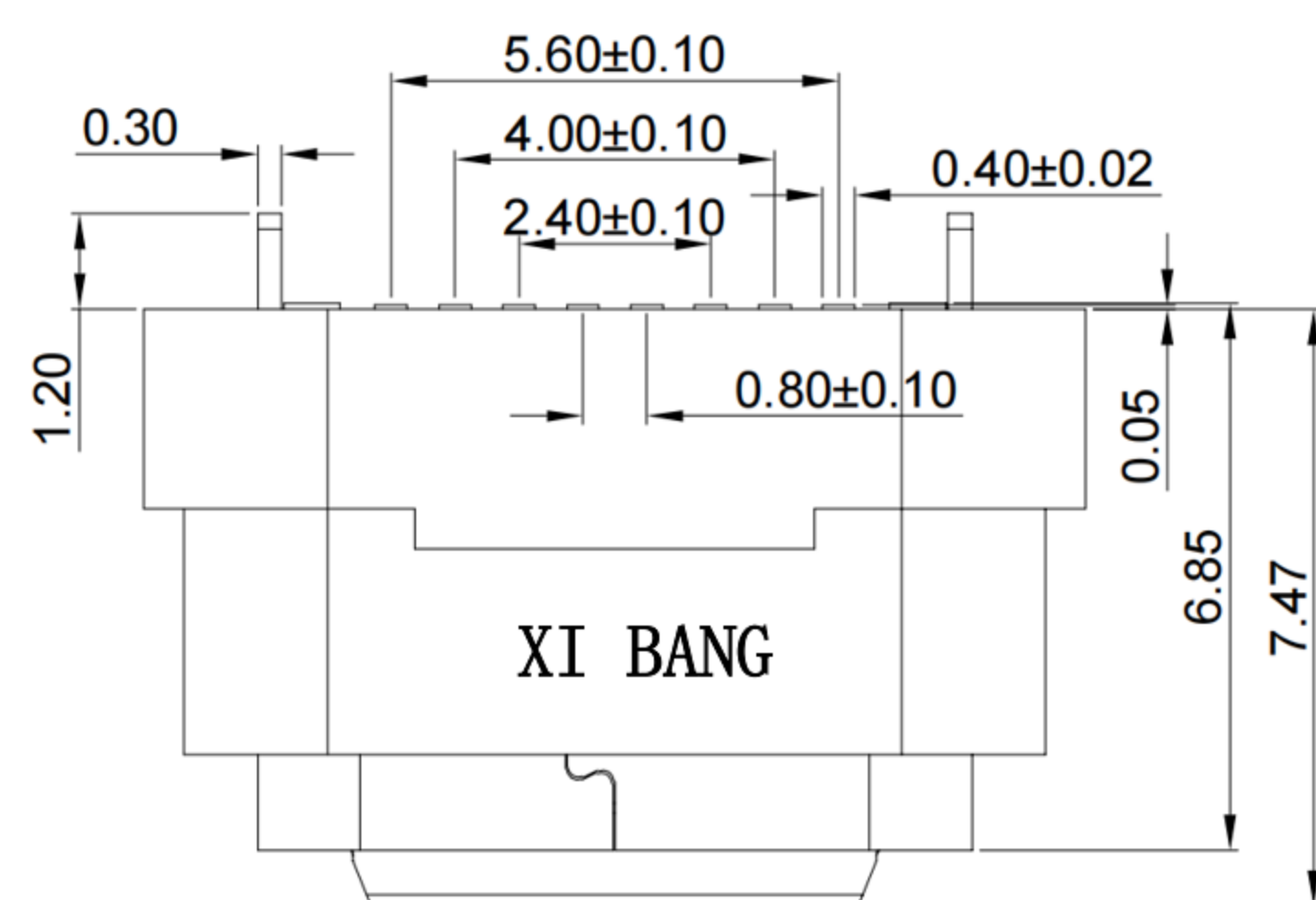
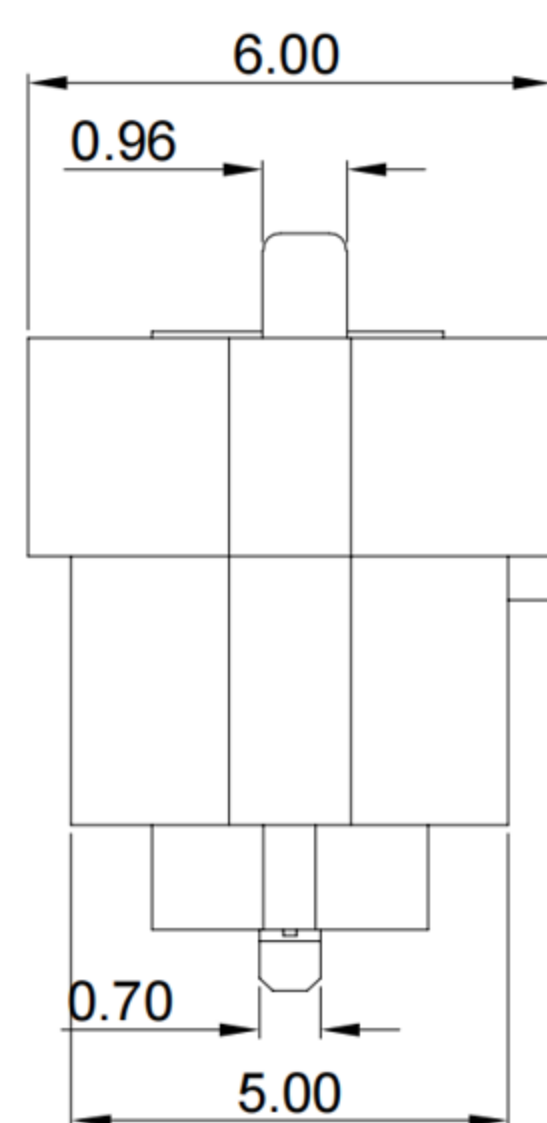
1. Connector Mate and Unmate Force
- 1.1 Mate force: 5~20 N .
- 1.2 Unmate force: 8~20 N

Material:

1. Housing: LCP
2. Contact: C18400
3. Shell: SUS
4. O-ring: Silicone

Finish:

1. Contact: Plated Gold in Mating Area ;
Tin Plated on Solder Balls ;
Nickel under plated overall
2. Shell: Nickel under Plated surface layer



RECOMMENDED PCB LAYOUT
TOLERANCE: ±0.05

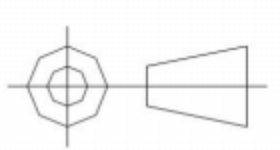
A1	A2	A3	A4	A5	A6	A7	A8	A9	A10	A11	A12
GND				CC1	D+	D-					GND
First				Second	Second	Second					First
B12	B11	B10	B9	B8	B7	B6	B5	B4	B3	B2	B1
			VBUS				CC2	VBUS			
			First				Second	First			

X3 东莞市溪榜电子有限公司
DONG GUAN XI BANG ELECTRONICS CO., LTD.

TOLERANCE UNLESS OTHERWISE STATED:

Up to 5	±0.2
Above 5 ~ 15	±0.3
Above 15 ~ 30	±0.4
Above 30 ~ 50	±0.5
Angle	±0.3°

3RD. ANGEL'S



UNITS

MM

DRAWN BY:	DATE
Jack Lu	03/10/22
CHECKED BY:	DATE
Jacky Chen	03/10/22
APPROVED BY:	DATE
Tony Kao	03/10/22

MAT'L	TITLE	CONNECTOR
FINISH	MODLE	Vertical Type-c 8P Female SMT H=6.85mm
SCALE	DWG NO.	XB-USB-C-8001-FS
SHEET NO.	PART NO.	

1	更新圖面	Jack	031022
ITEM NO.	DESCRIPTION	DRAWN	DATE

SIZE	A4
VER	R1