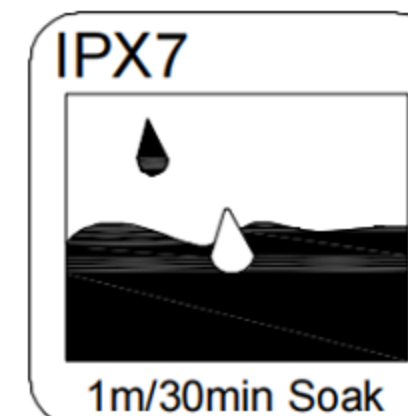


Waterproof Diagram
For Reference Only



IPX7



鍍層厚度:

- Blank : 1u"
- 2 : 15u"
- 3 : 30u"

SPECIFICATIONS

Electrical:

1. Rating: 5.0V , 3.0A
2. Contact Resistance: 40 mΩ Max
3. Insulation Resistance: 100 MΩ Min

Mechanical:

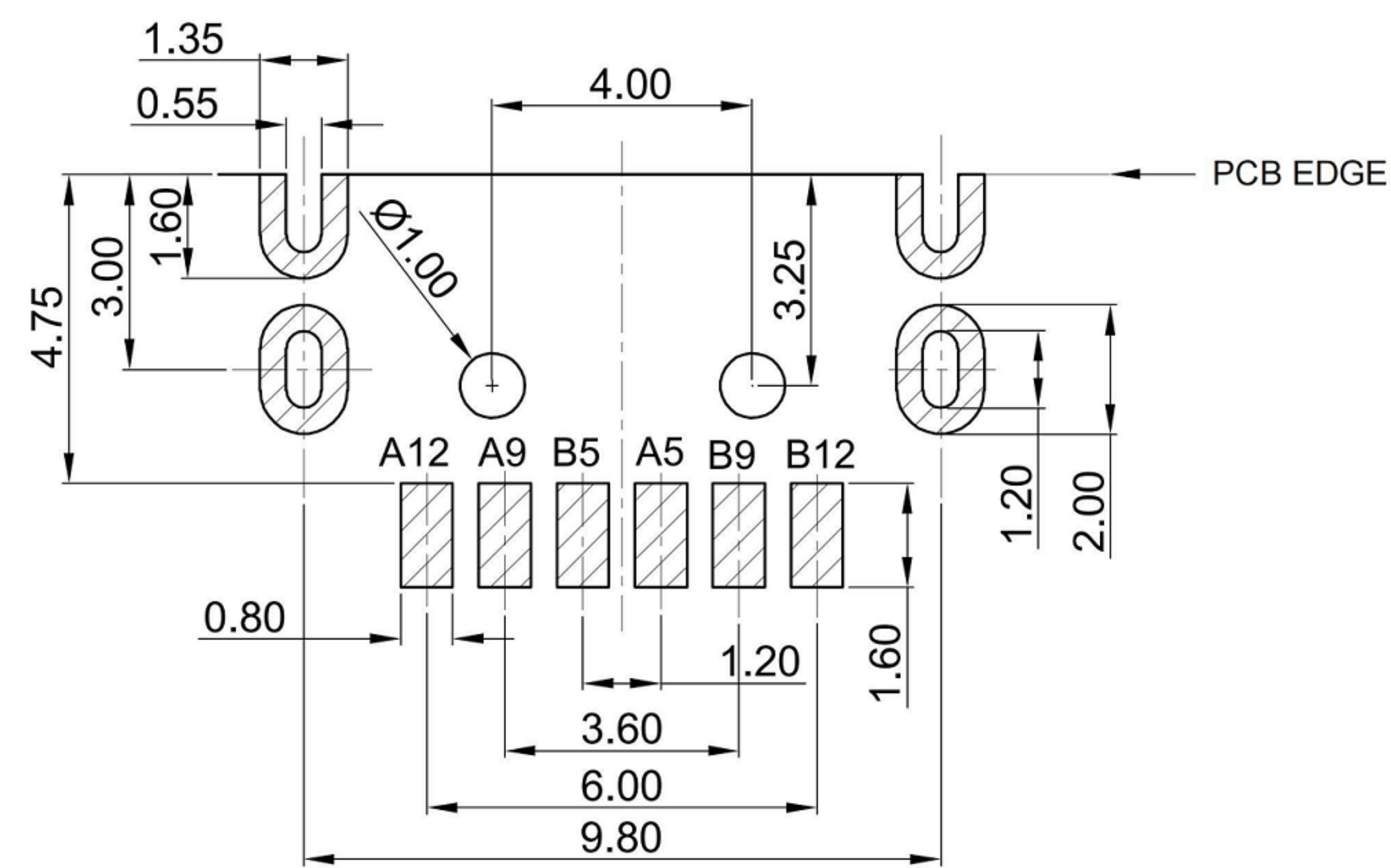
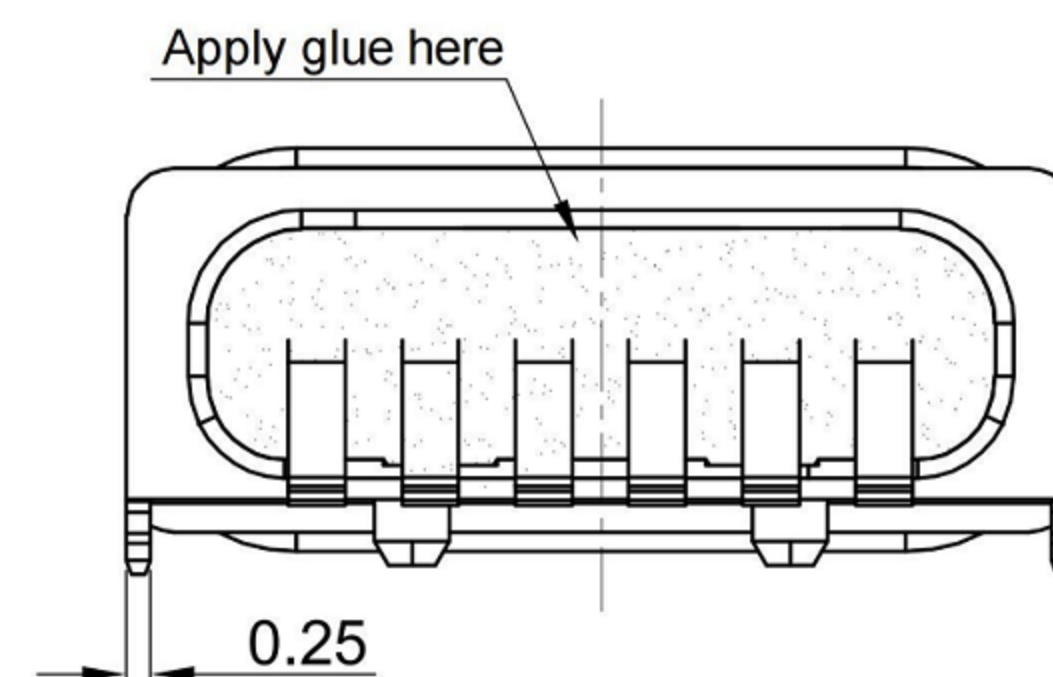
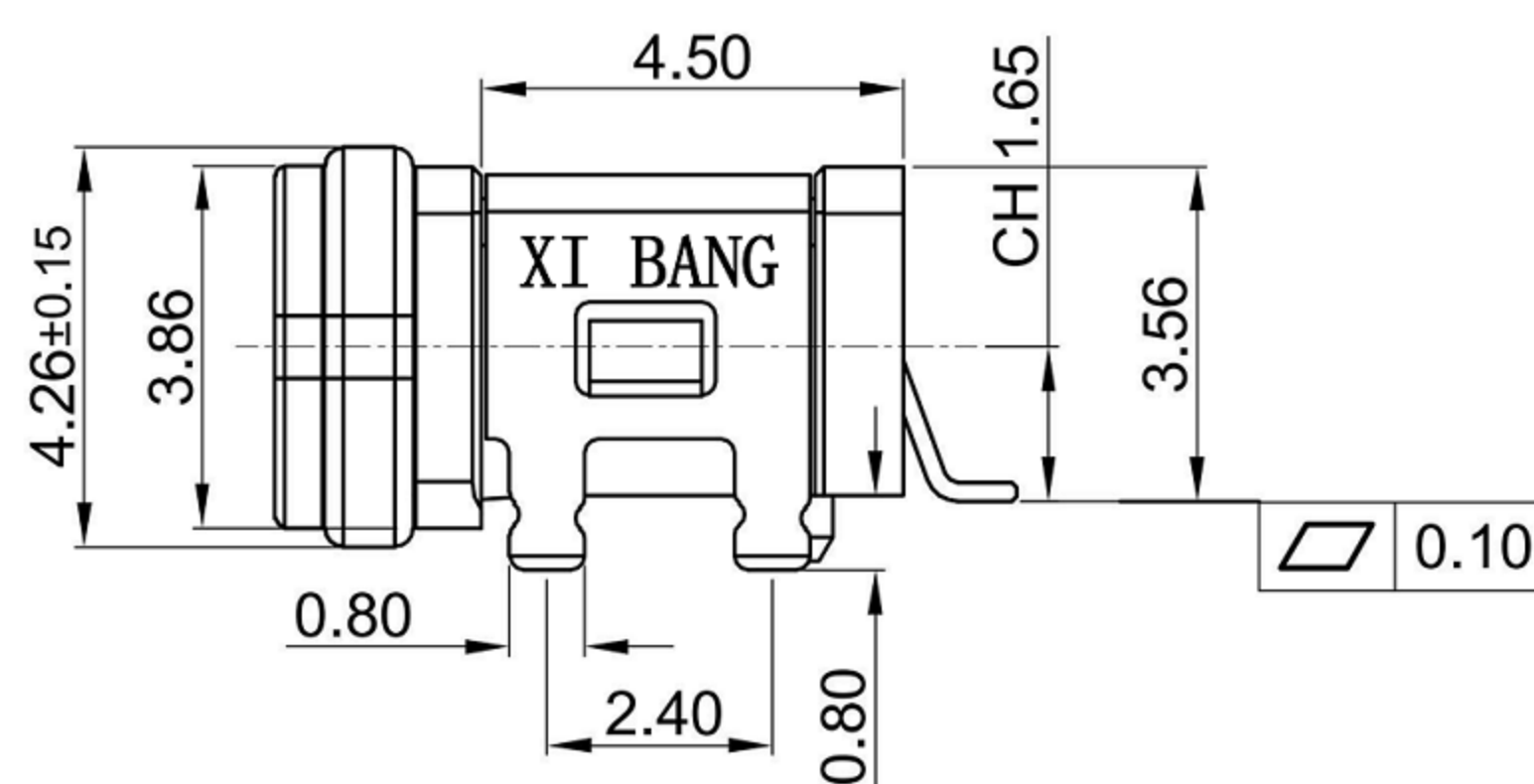
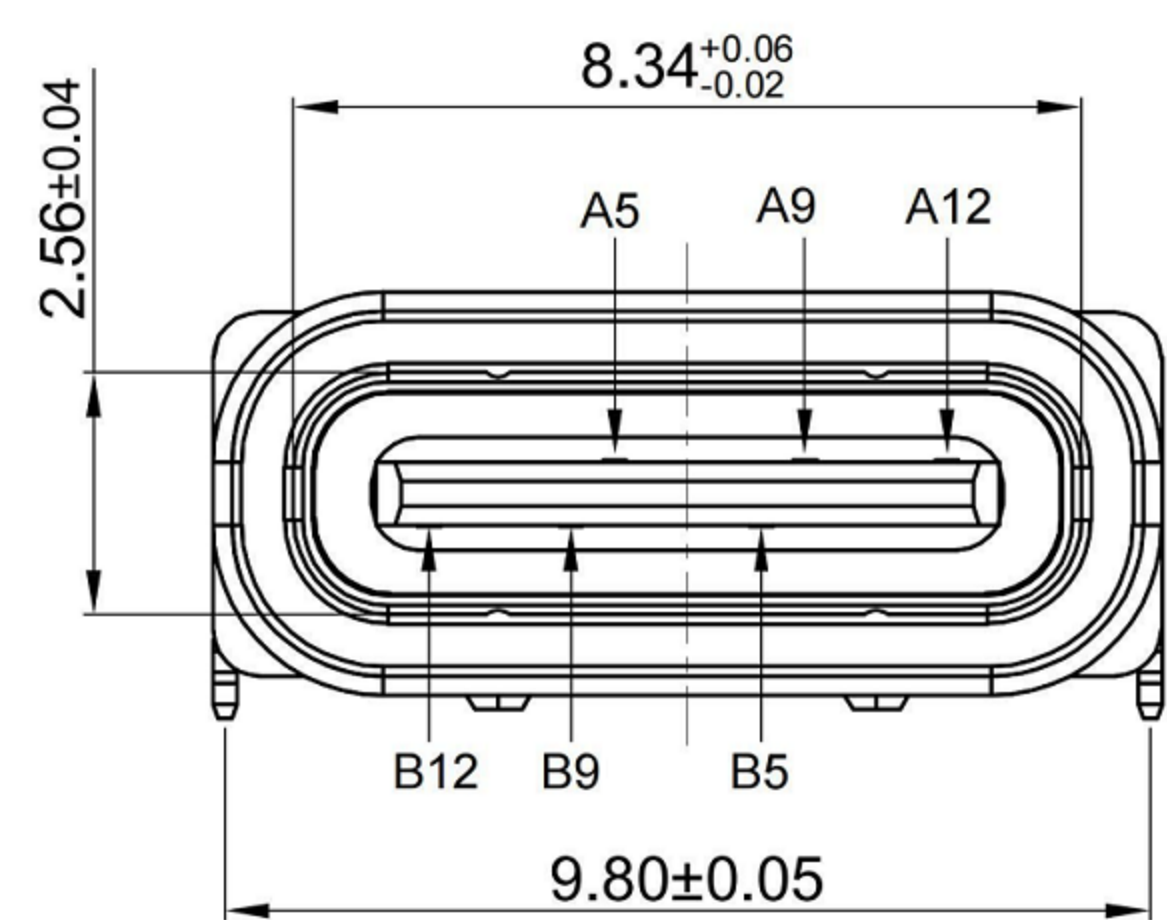
1. Connector Mate and Unmate Force
 - 1.1 Mate force: 5~20 N
 - 1.2 Unmate force: 8~20 N

Material:

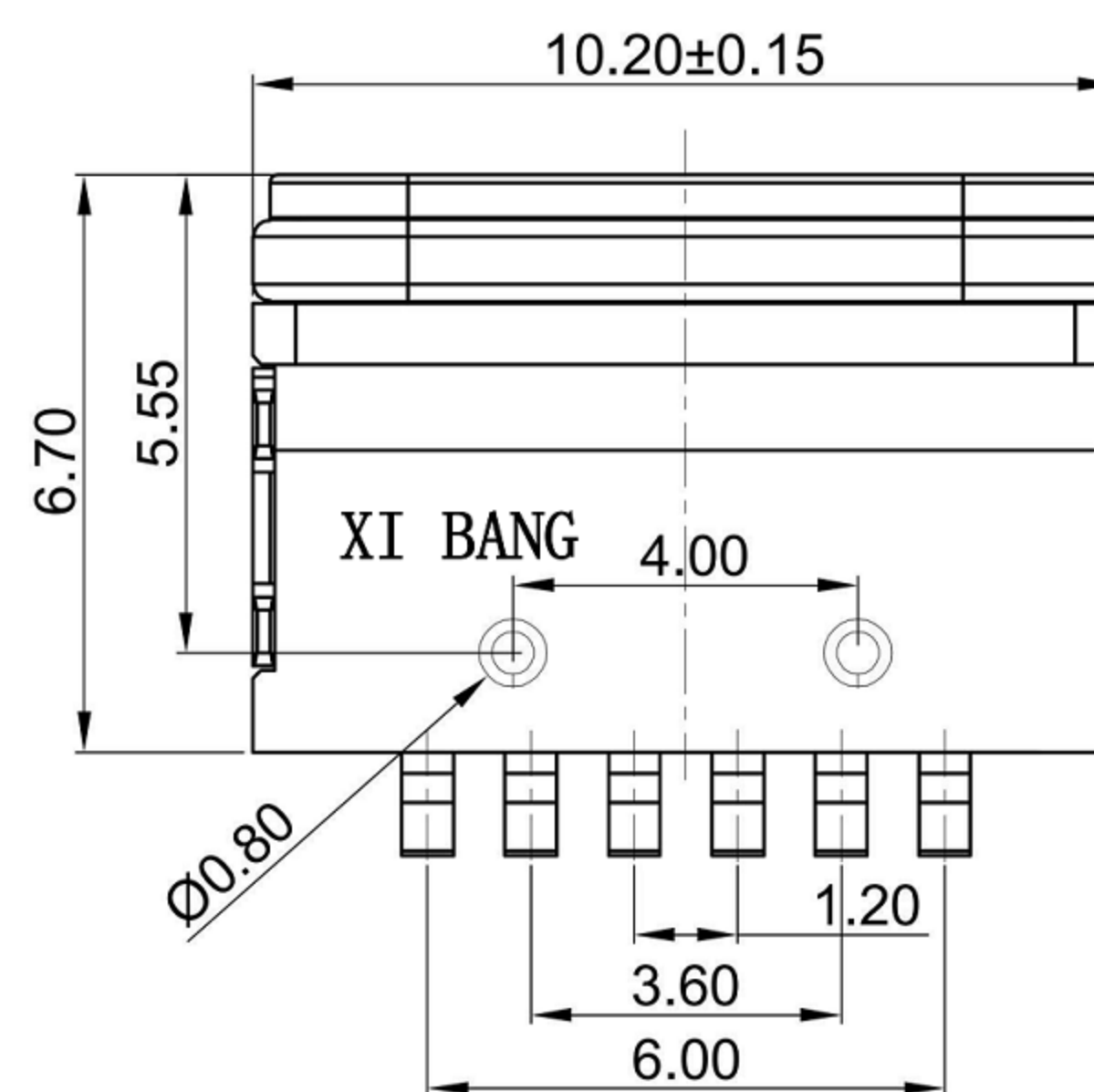
1. Housing: LCP
2. Contact: C7025
3. Shell: SUS

Finish:

1. Contact: Plated Gold in Mating Area ;
Gold Plated on Solder Balls ;
Nickel under plated overall
2. Shell: Nickel under Plated surface layer



PCB Layout For Reference Only



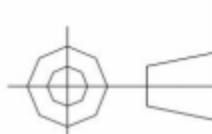
A1	A2	A3	A4	A5	A6	A7	A8	A9	A10	A11	A12
				CC1				VBUS			GND
				Second				First			First
B12	B11	B10	B9	B8	B7	B6	B5	B4	B3	B2	B1
GND			VBUS					CC2			
First			First				Second				

XB 东莞市溪榜电子有限公司
DONG GUAN XI BANG ELECTRONICS CO., LTD.

TOLERANCE UNLESS OTHERWISE STATED:

- Up to 5 ±0.2
- Above 5 ~ 15 ±0.3
- Above 15 ~ 30 ±0.4
- Above 30 ~ 50 ±0.5
- Angle ±0.3°

3RD. ANGEL'S



UNITS

MM

DRAWN BY:	DATE
Jack Lu	03/10/22
CHECKED BY:	DATE
Jacky Chen	03/10/22
APPROVED BY:	DATE
Tony Kao	03/10/22

MAT'L	TITLE	CONNECTOR
FINISH	MODLE	Horizontal Type-c 6P Female SMT CH=1.65 L=6.7mm
SCALE	DWG NO.	XB-USB-C-6002-FS
SHEET NO.	PART NO.	
1 : 1		
1 of 1		

SIZE
A4
VER
R1

1	更新圖面	Jack	031022
ITEM NO.	DESCRIPTION	DRAWN	DATE