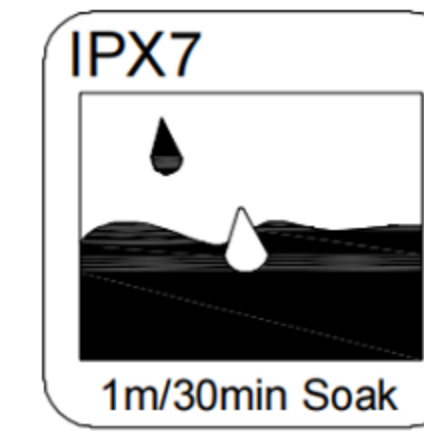


CASE ASSEMBLY FOR REFERENCE



IPX7



鍍層厚度 :

Blank : 1u"
2 : 15u"
3 : 30u"

SPECIFICATIONS

Electrical:

1. Rating: 5.0 A
2. Contact Resistance: 50 mΩ Max
3. Insulation Resistance: 100 MΩ Min

Mechanical:

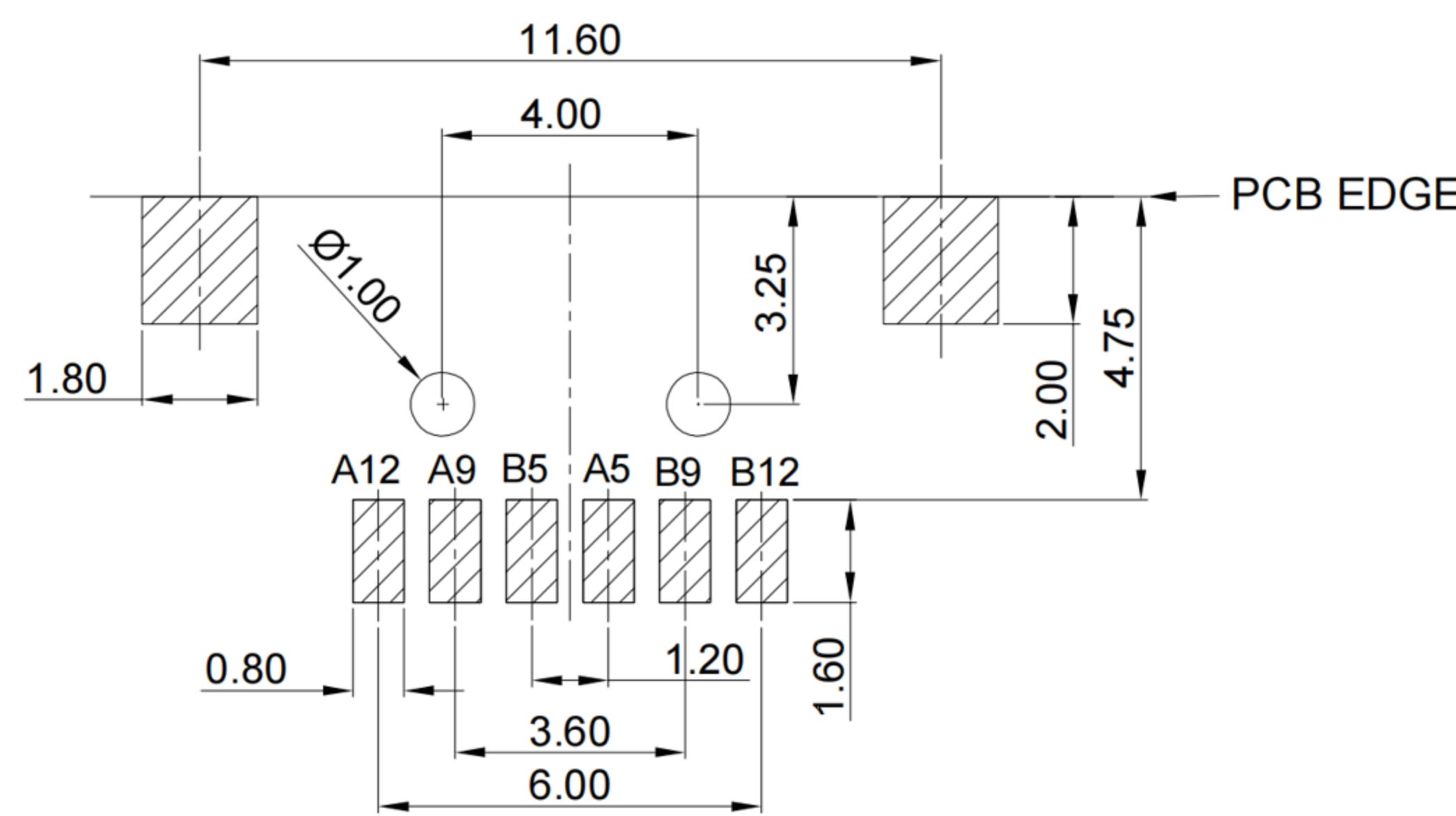
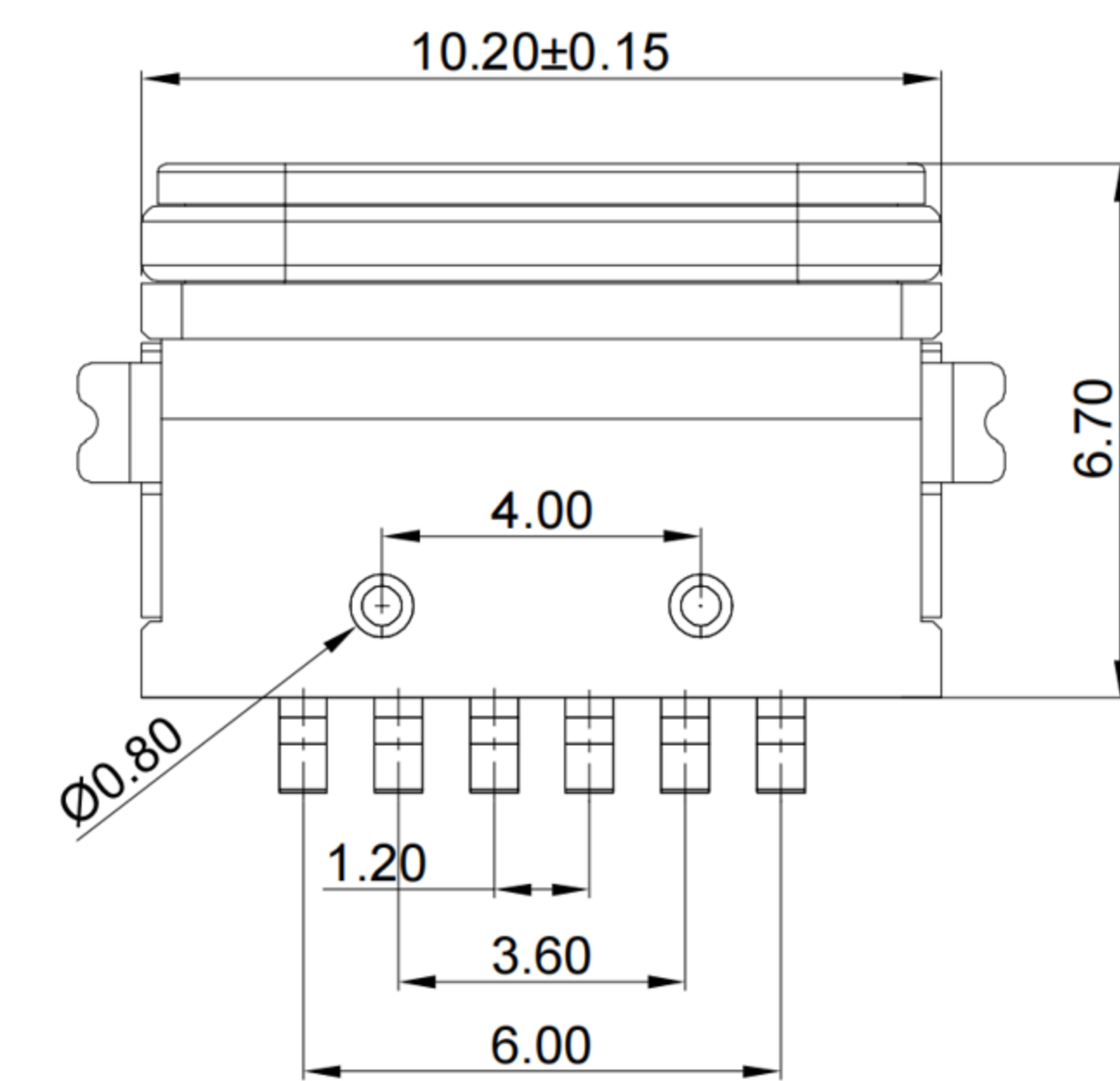
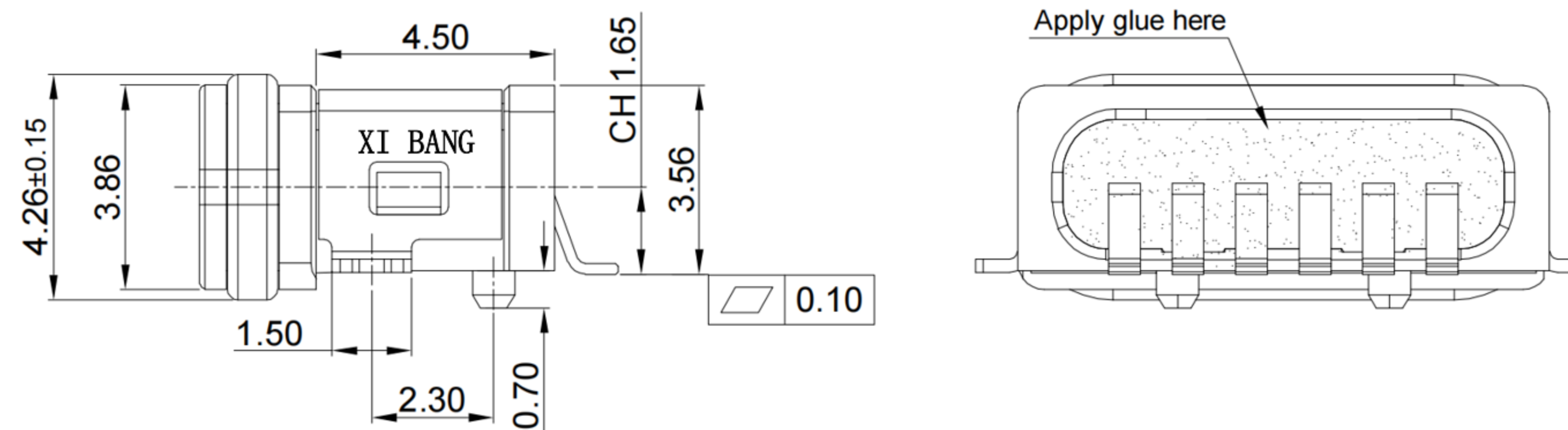
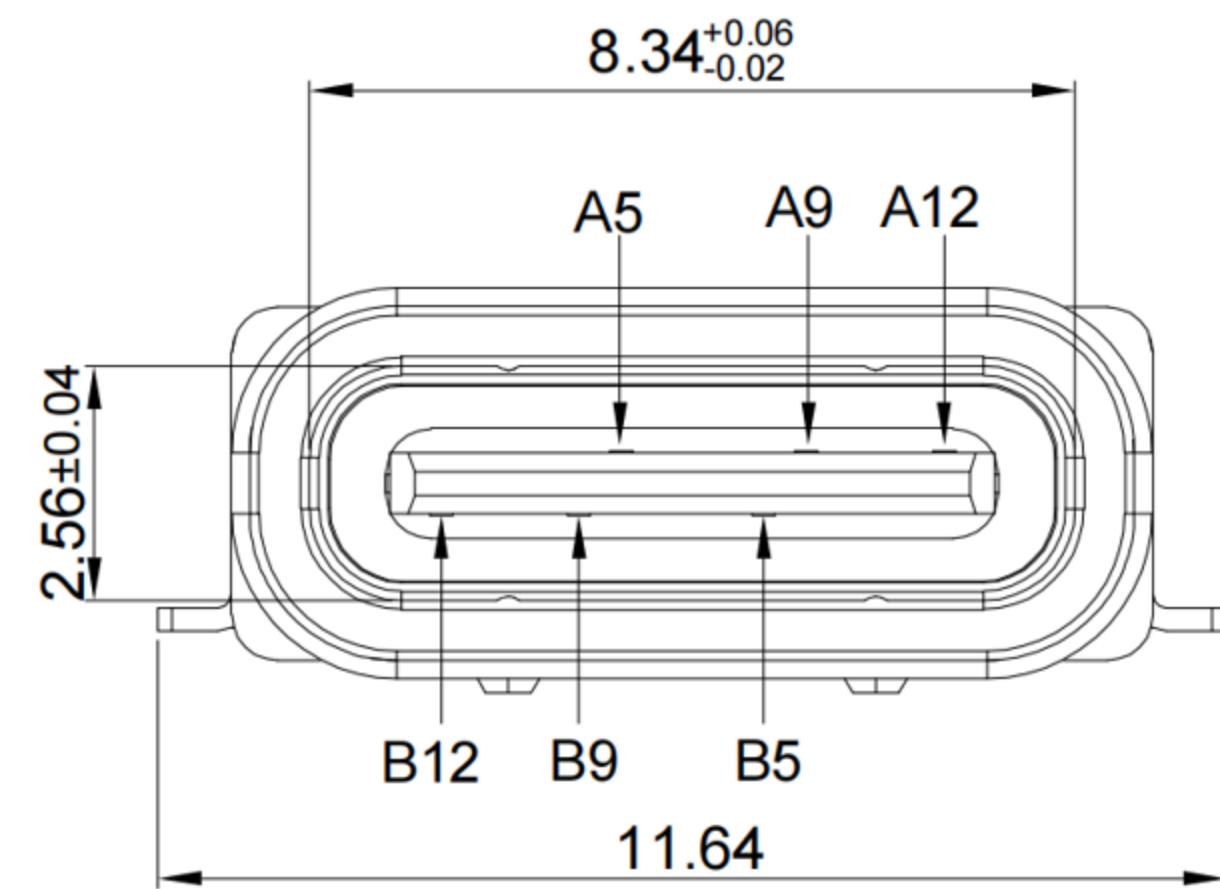
1. Connector Mate and Unmate Force
 - 1.1 Mate force: 5~20 N
 - 1.2 Unmate force: 8~20 N

Material:

1. Housing: LCP
2. Contact: C7025
3. Shell: SUS

Finish:

1. Contact: Plated Gold in Mating Area ;
Gold Plated on Solder Balls ;
Nickel under plated overall
2. Shell: Nickel under Plated surface layer



RECOMMENDED PCB LAYOUT
TOLERANCE: ±0.05

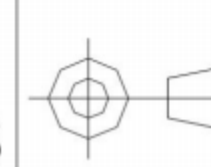
A1	A2	A3	A4	A5	A6	A7	A8	A9	A10	A11	A12
				CC1				VBUS			GND
				Second				First			First
B12	B11	B10	B9	B8	B7	B6	B5	B4	B3	B2	B1
GND			VBUS				CC2				
First			First				Second				

X3 东莞市溪榜电子有限公司
DONG GUAN XI BANG ELECTRONICS CO., LTD.

TOLERANCE UNLESS OTHERWISE STATED :

Up to 5 ±0.2
Above 5 ~ 15 ±0.3
Above 15 ~ 30 ±0.4
Above 30 ~ 50 ±0.5
Angle ±0.3°

3RD. ANGEL'S



UNITS MM

DRAWN BY: Jack Lu DATE: 03/10/22
CHECKED BY: Jacky Chen DATE: 03/10/22
APPROVED BY: Tony Kao DATE: 03/10/22

MAT'L TITLE CONNECTOR
FINISH MODLE Horizontal Type-c 6P Female SMT CH=1.65 L=6.7mm
SCALE 1:1 DWG NO. XB-USB-C-6001-FS
SHEET NO. 1 of 1 PART NO.

SIZE A4
VER R1

1	更新圖面	Jack	031022
ITEM NO.	DESCRIPTION	DRAWN	DATE