

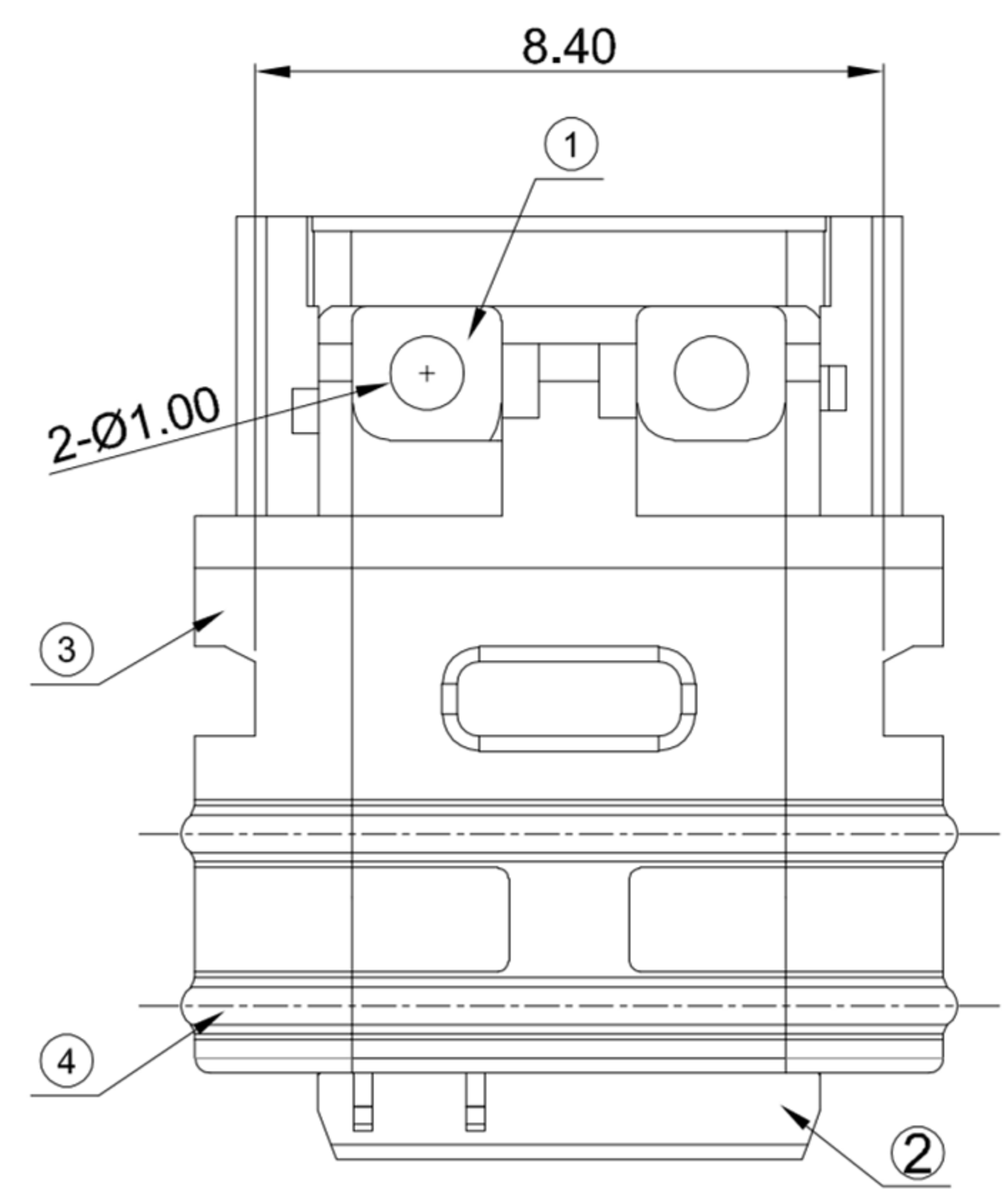
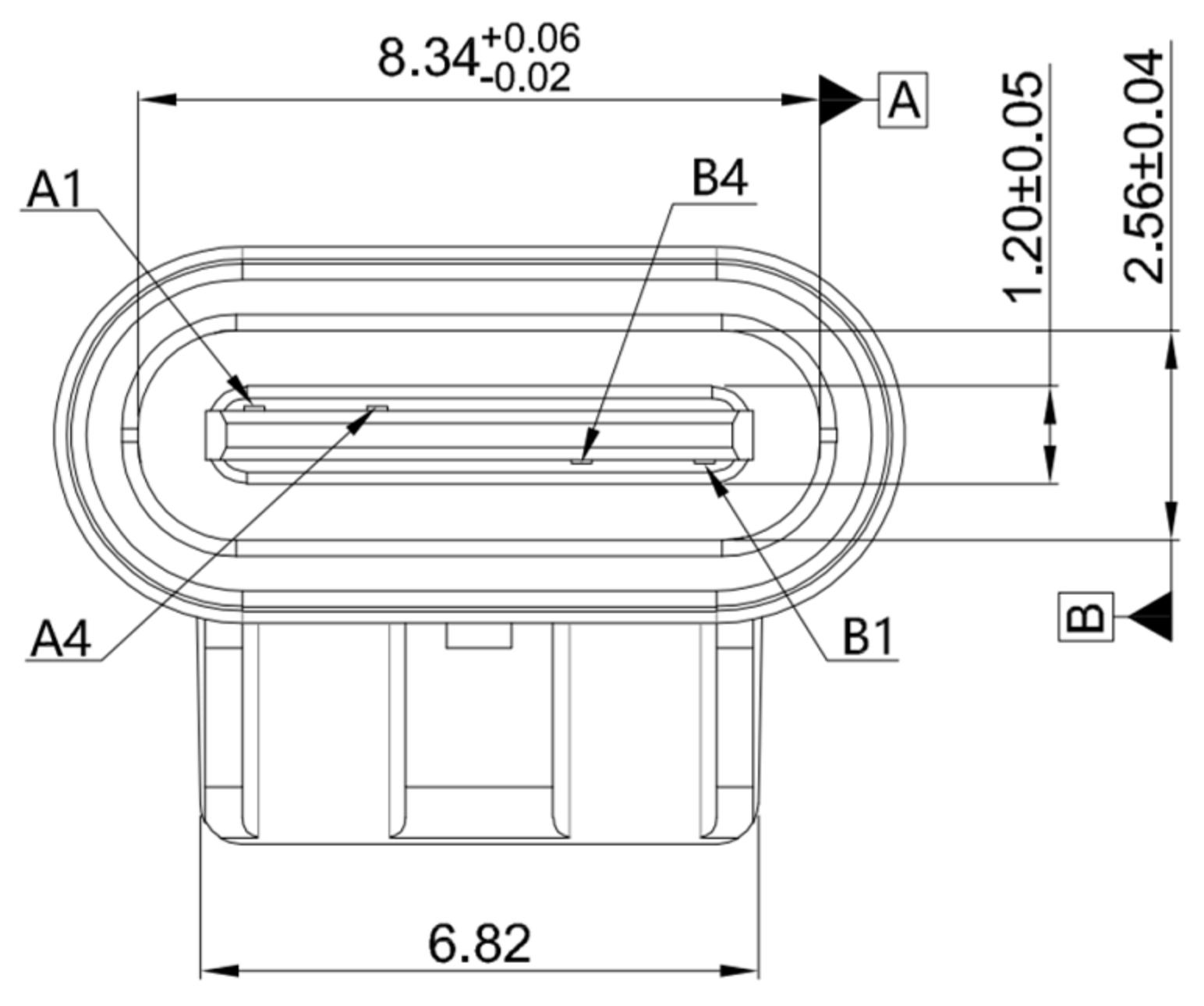
IPX7



A1	A2	A3	A4	A5	A6	A7	A8	A9	A10	A11	A12
GND			VBUS								
First			First								
B12	B11	B10	B9	B8	B7	B6	B5	B4	B3	B2	B1
								VBUS			GND
								First			First

**USB-C Specification:**

1. Current rated: 3A on vbus
2. Withstanding voltage: 100V AC/minute
3. Contact resistance: 40mΩ Max
4. Insulation resistance: 100MΩ Min
5. Operating temperature: -40°C ~ +85°C
6. Mating force: 5N~20N
7. Unmating force: 8N~20N
8. Durability cycle: 10,000 cycles
9. Waterproof grade: IP-X7.



NO.	PARTS	MATERIAL	REMARKS
1	MOLDING SEALING RING	HIGH TEMPERATURE PLASTIC	TPE BLACK
2	MID PLATE	STAINLESS STEEL	SUS301 CLEAN
3	FIRST MOLDING	HIGH TEMPERATURE PLASTIC	PC BLACK
4	SECOND MOLDING	HIGH TEMPERATURE PLASTIC	PA9T BLACK
5	TERMINALS	COPPER ALLOY(C7025)	Au PLATING ON CONTACT AREA

**XB** 东莞市溪榜电子有限公司  
DONG GUAN XI BANG ELECTRONICS CO., LTD.

TOLERANCE UNLESS OTHERWISE STATED:  
 Up to 5 ±0.2  
 Above 5 ~ 15 ±0.3  
 Above 15 ~ 30 ±0.4  
 Above 30 ~ 50 ±0.5  
 Angle ±0.3°

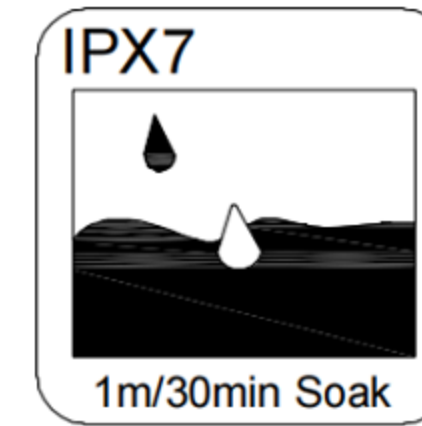
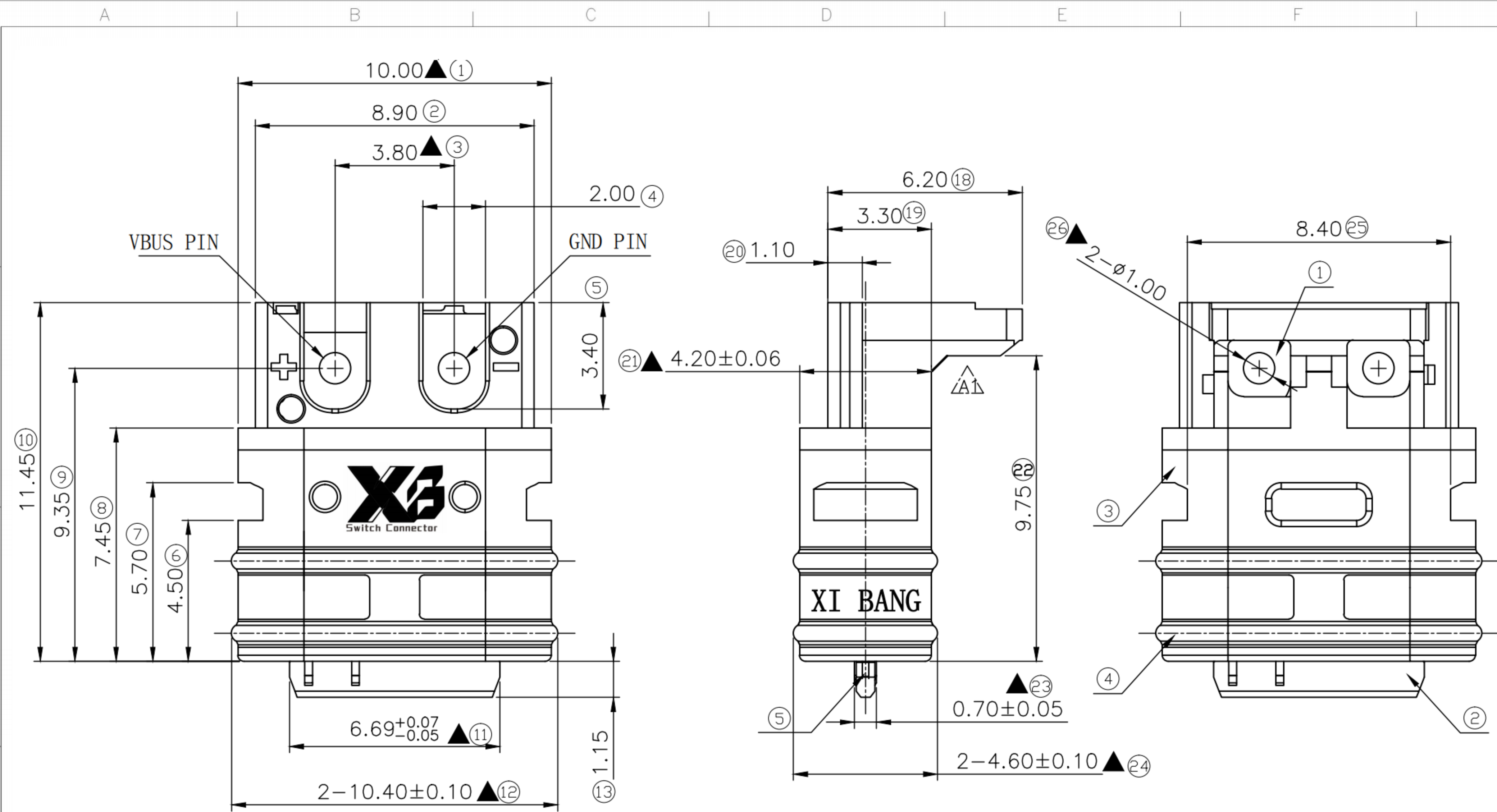
3RD. ANGEL'S

UNITS MM

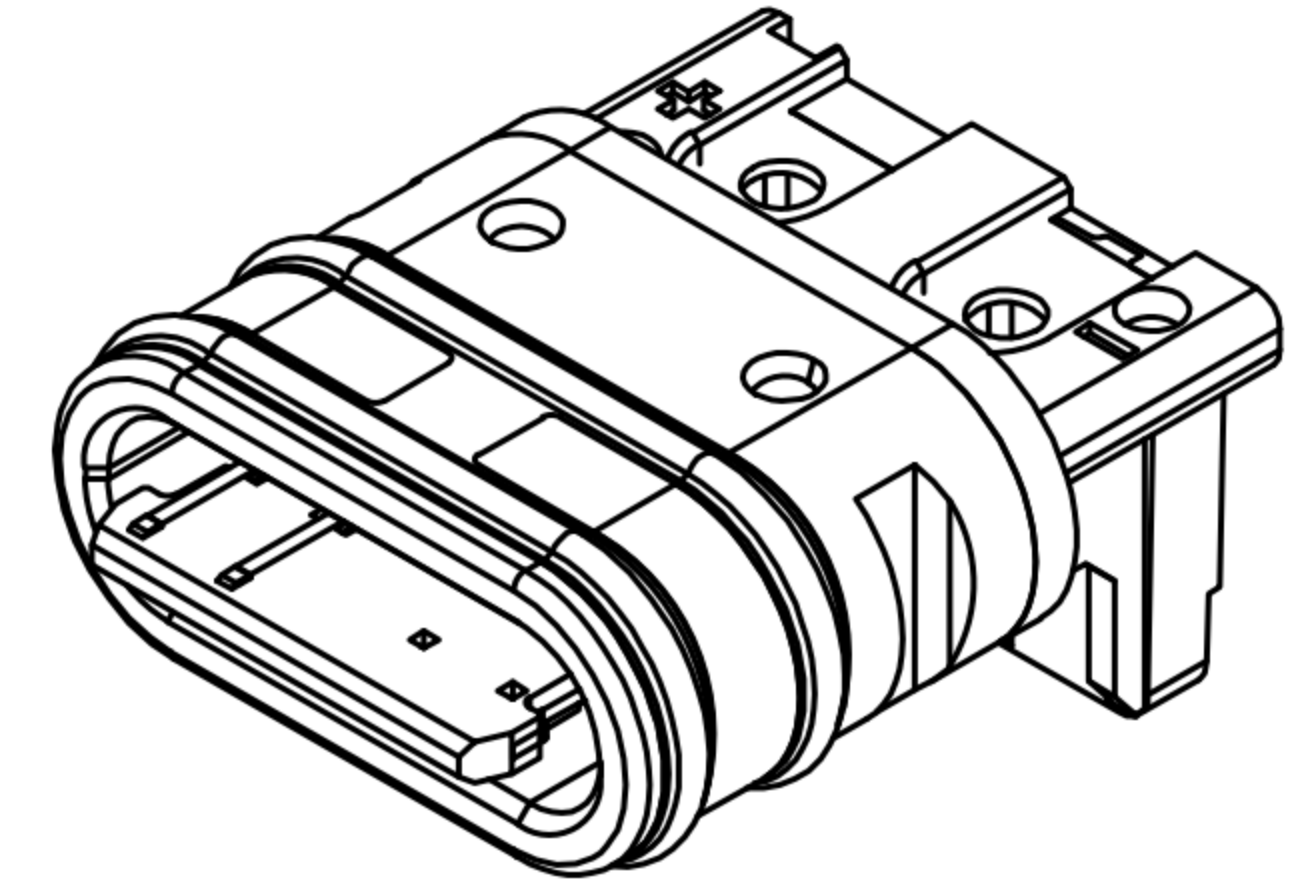
DRAWN BY:	DATE	MAT'L	TITLE	CONNECTOR
Jack Lu	03/10/22		MODLE	Soldered Type-c 4P Female Without Resistance L=11.45mm
CHECKED BY:	DATE	FINISH	DWG NO.	
Jacky Chen	03/10/22		XB-USB-C-2010-FS	SIZE A4
APPROVED BY:	DATE	SCALE	PART NO.	VER R1
Tony Kao	03/10/22	SHEET NO. 1 of 1		

1	更新圖面	Jack	031022
ITEM NO.	DESCRIPTION	DRAWN	DATE





IPX7

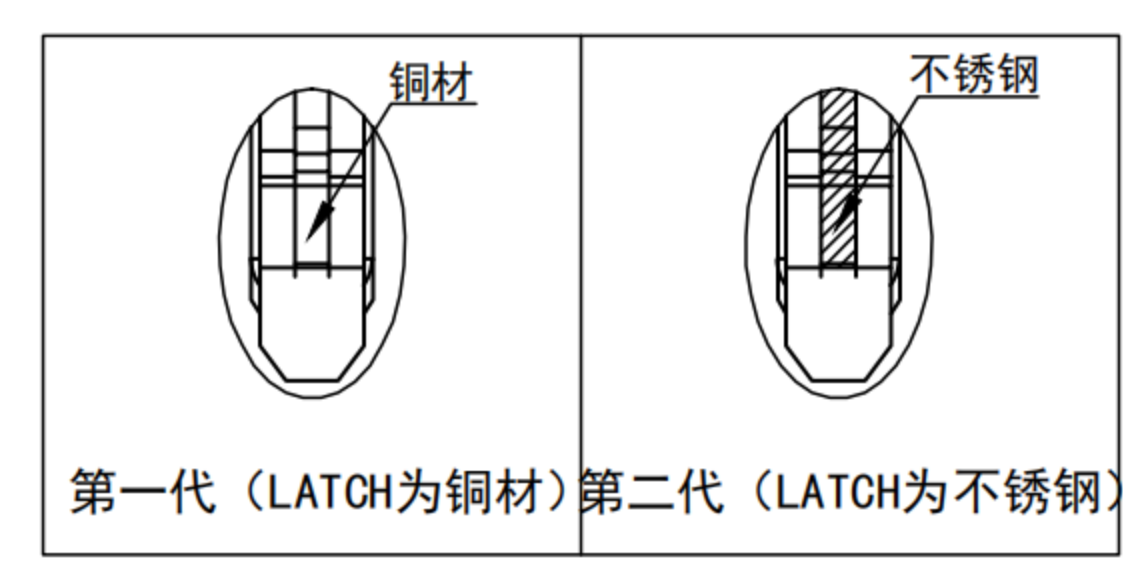
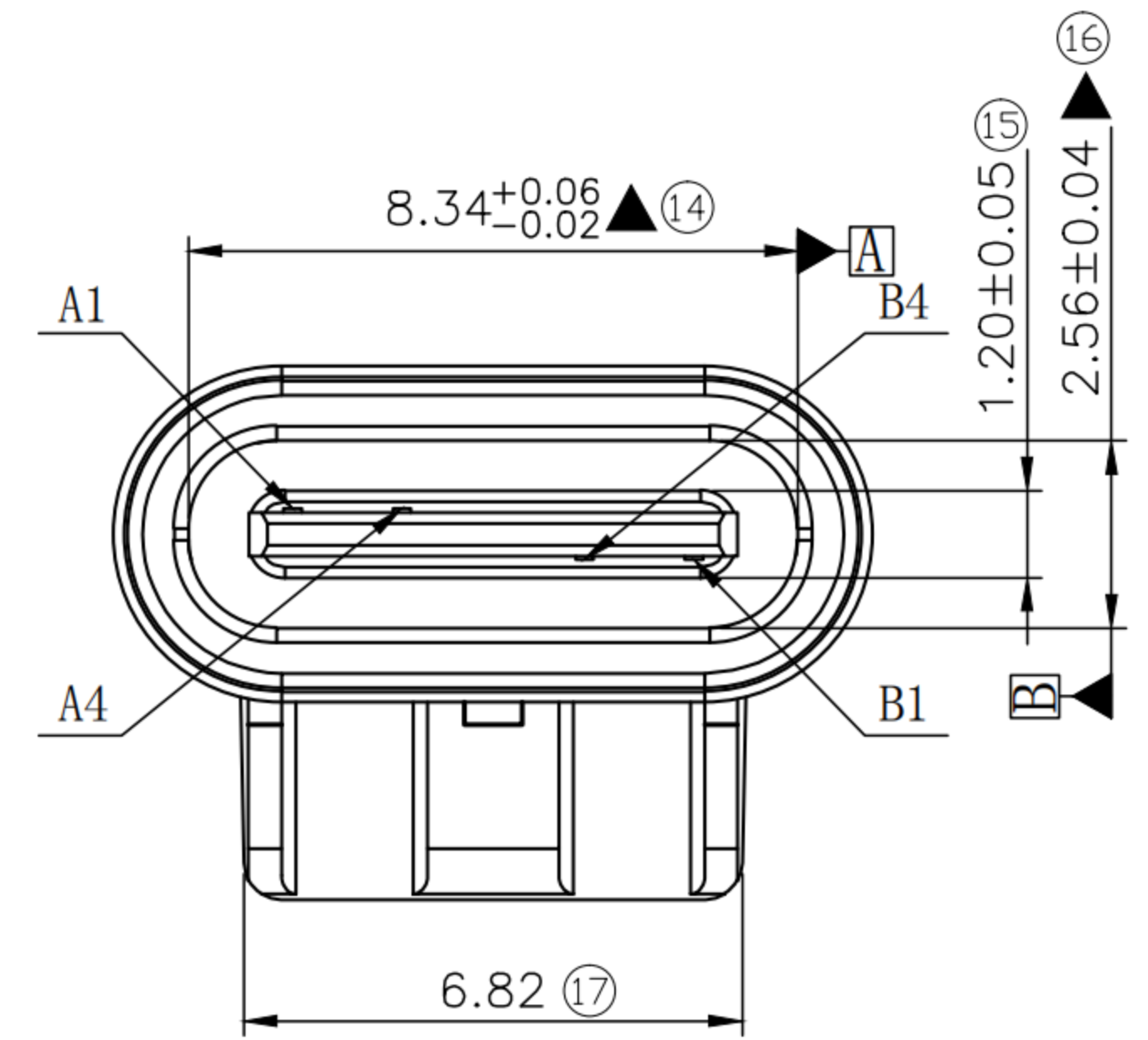


技术规格:

1. 电气特性:
  - 耐压: 100V AC/60S/0.5mA;
  - 绝缘阻抗: 100MΩ/MIN, 500V DC/MIN;
  - 接触阻抗: 40mΩ/MAX (VBUS/GND), 测试后变化10mΩ;
  - 额定电流: 2A 温度: 30° /MAX;
2. 机械特性:
  - 插入力: 5~20N;
  - 拔出力: 8~20N, 测试后拔出力6~20N;
  - 耐久次数: 1000次;
3. 标示 ▲为重点尺寸, 首件必须检测; 标示⊙为FAI尺寸;
4. 使用物料及制程符合“GP”文件对环境物料管理标准.

PIN DEFINE:

Pin	Signal Name	Description	Mating Sequence	Pin	Signal Name	Description	Mating Sequence
A1	GND	Ground return	First	B4	GND	Ground return	First
A4	Vbus	Bus Power	First	B1	Vbus	Bus Power	First



USB-C Specification:

1. Current rated: 3A on vbus
2. Withstanding voltage: 100V AC/minute
3. Contact resistance: 40mΩ Max
4. Insulation resistance: 100MΩ Min
5. Operating temperature: -40°C ~ +85°C
6. Mating force: 5N~20N
7. Unmating force: 8N~20N
8. Durability cycle: 10,000 cycles
9. Waterproof grade: IP-X7.

零件	数量	材质规格
⑤ LATCH不锈钢片	2PCS	SUS301, 厚度:0.20mm,板材硬度: 490~530HV
④ Molding密封圈	1PCS	TPE,BLACK
③ 二次Molding	1PCS	PC,BLACK
② 一次Molding	1PCS	PA9T,BLACK
① Terminal	1PCS	C7025 T=0.20mm,Ni:50u",Au:1u",Sn:80u";

**X3** 东莞市溪榜电子有限公司  
DONG GUAN XI BANG ELECTRONICS CO., LTD.

TOLERANCE UNLESS OTHERWISE STATED: Up to 5 ±0.2, Above 5 ~ 15 ±0.3, Above 15 ~ 30 ±0.4, Above 30 ~ 50 ±0.5, Angle ±0.3°

3RD. ANGEL'S UNITS MM

DRAWN BY: Jack Lu	DATE: 03/10/22	MAT'L	TITLE: CONNECTOR
CHECKED BY: Jacky Chen	DATE: 03/10/22	FINISH	MODLE: TYPE-C 2PIN全塑焊线式防水母座
APPROVED BY: Tony Kao	DATE: 03/10/22	SCALE: 1:1	DWG NO.: XB-USB-C-2010-FS
ITEM NO.	DESCRIPTION	DRAWN	DATE
		SHEET NO.: 1 of 1	PART NO.
			SIZE: A4
			VER: R1