

# IPX7



鍍層厚度:

Blank : 1u"
2 : 15u"
3 : 30u"

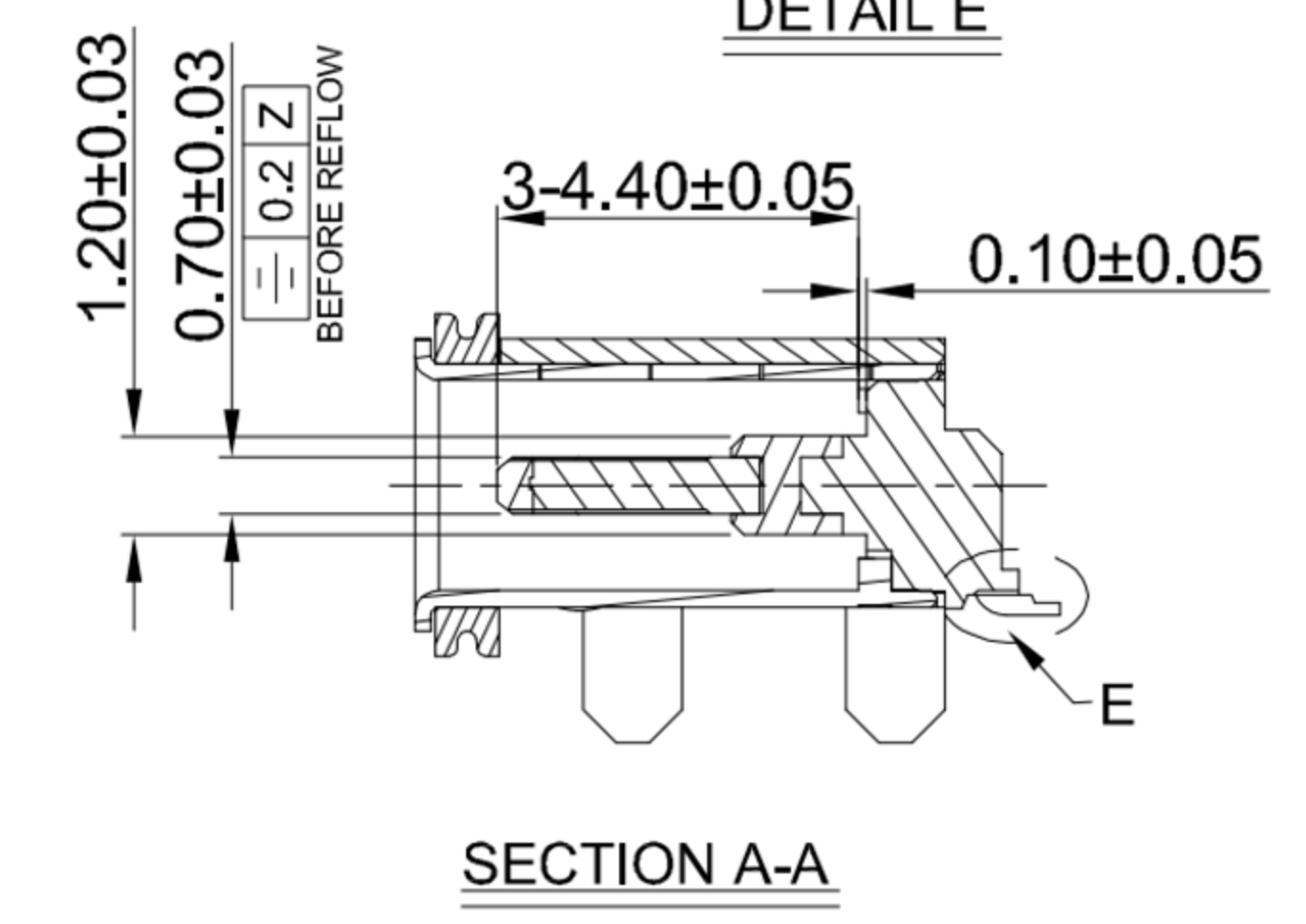
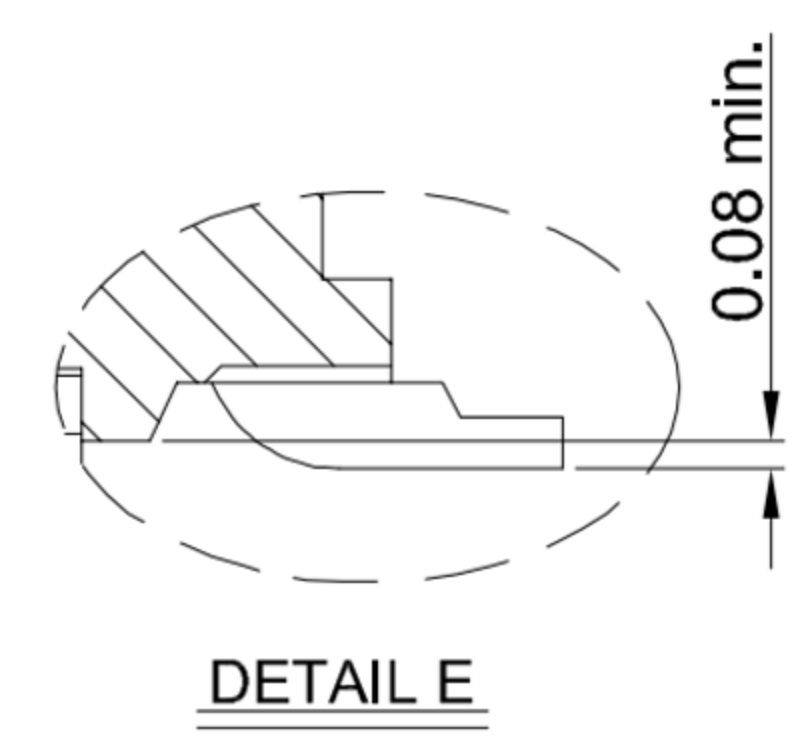
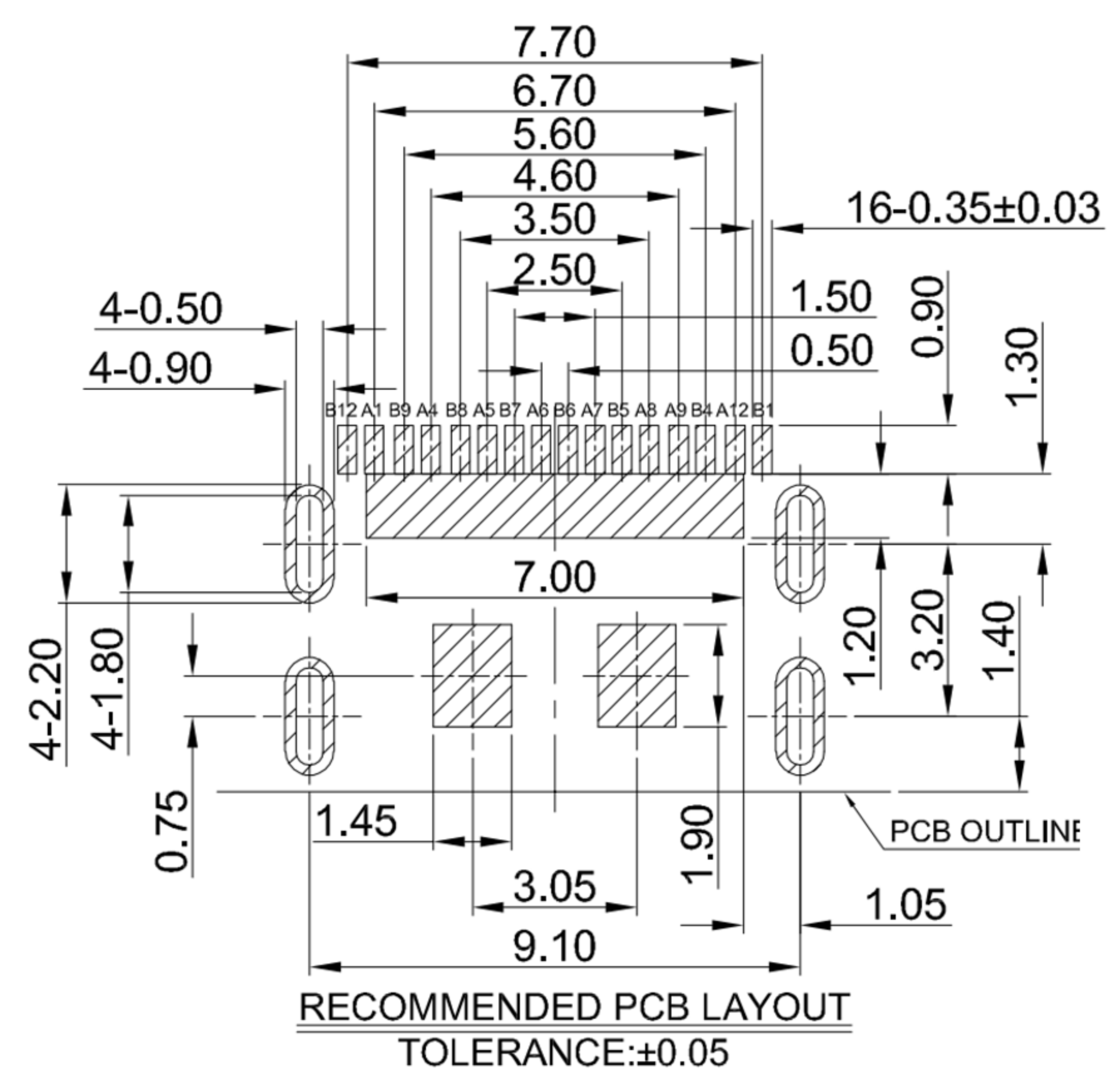
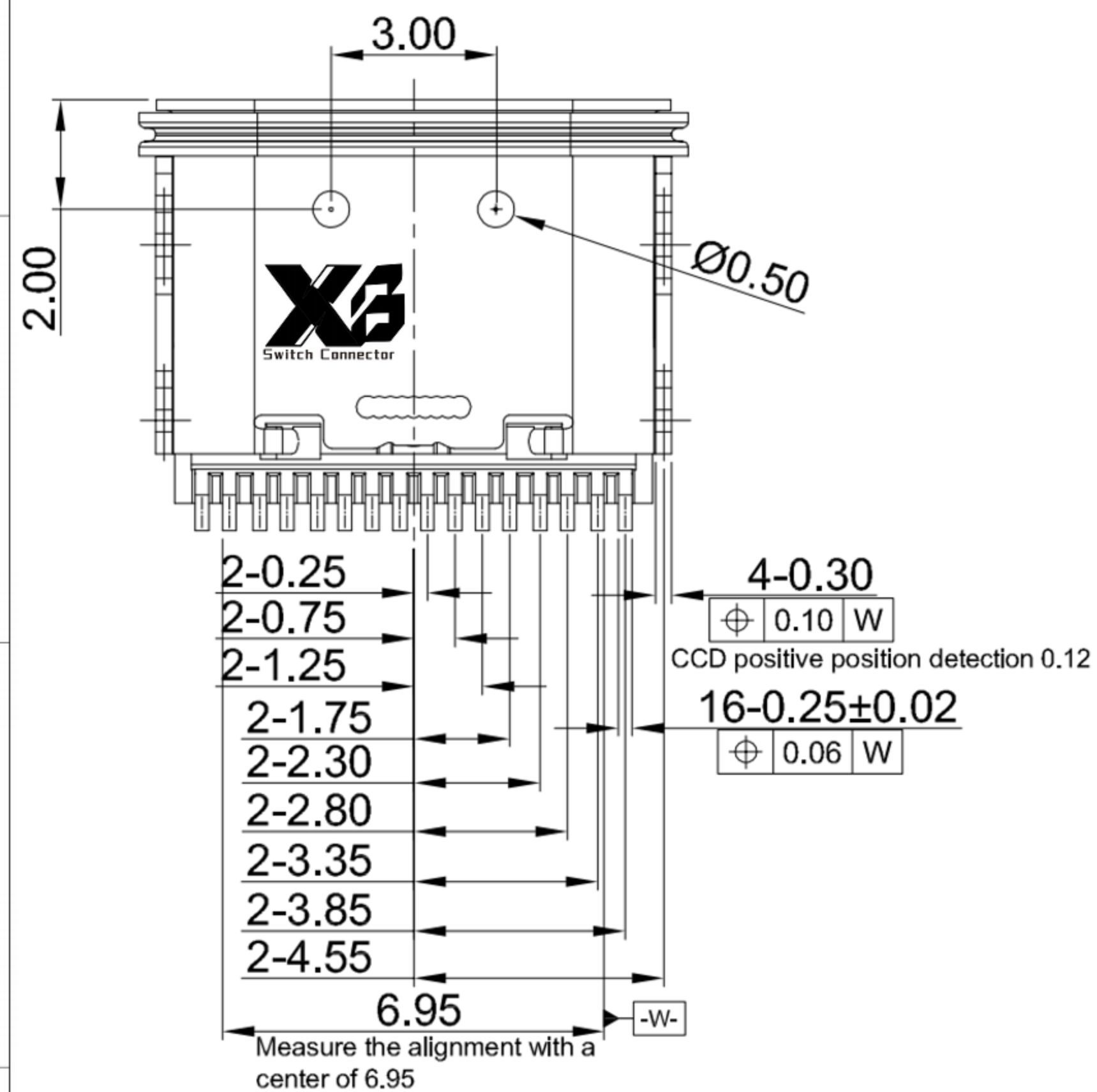
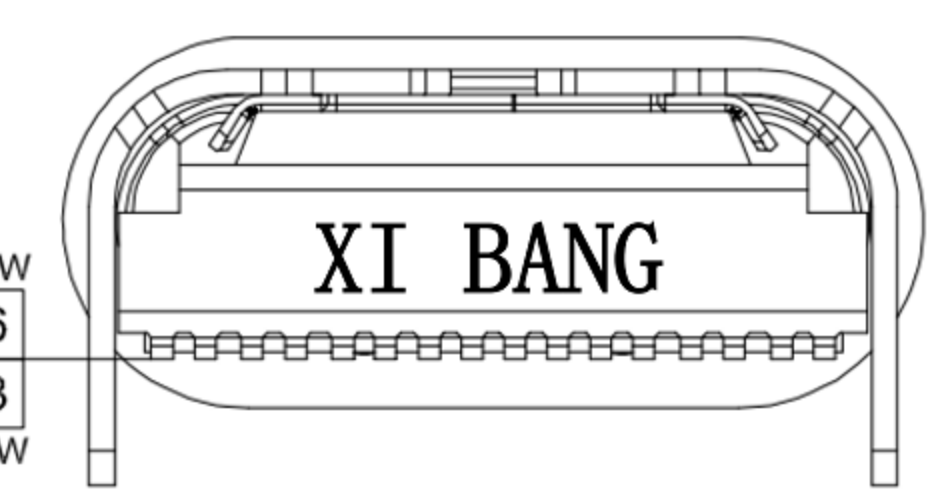
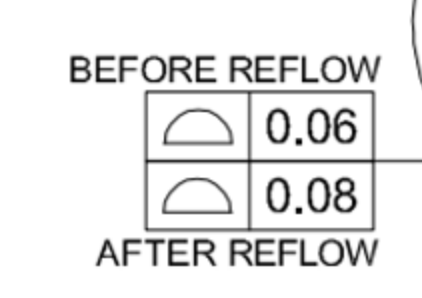
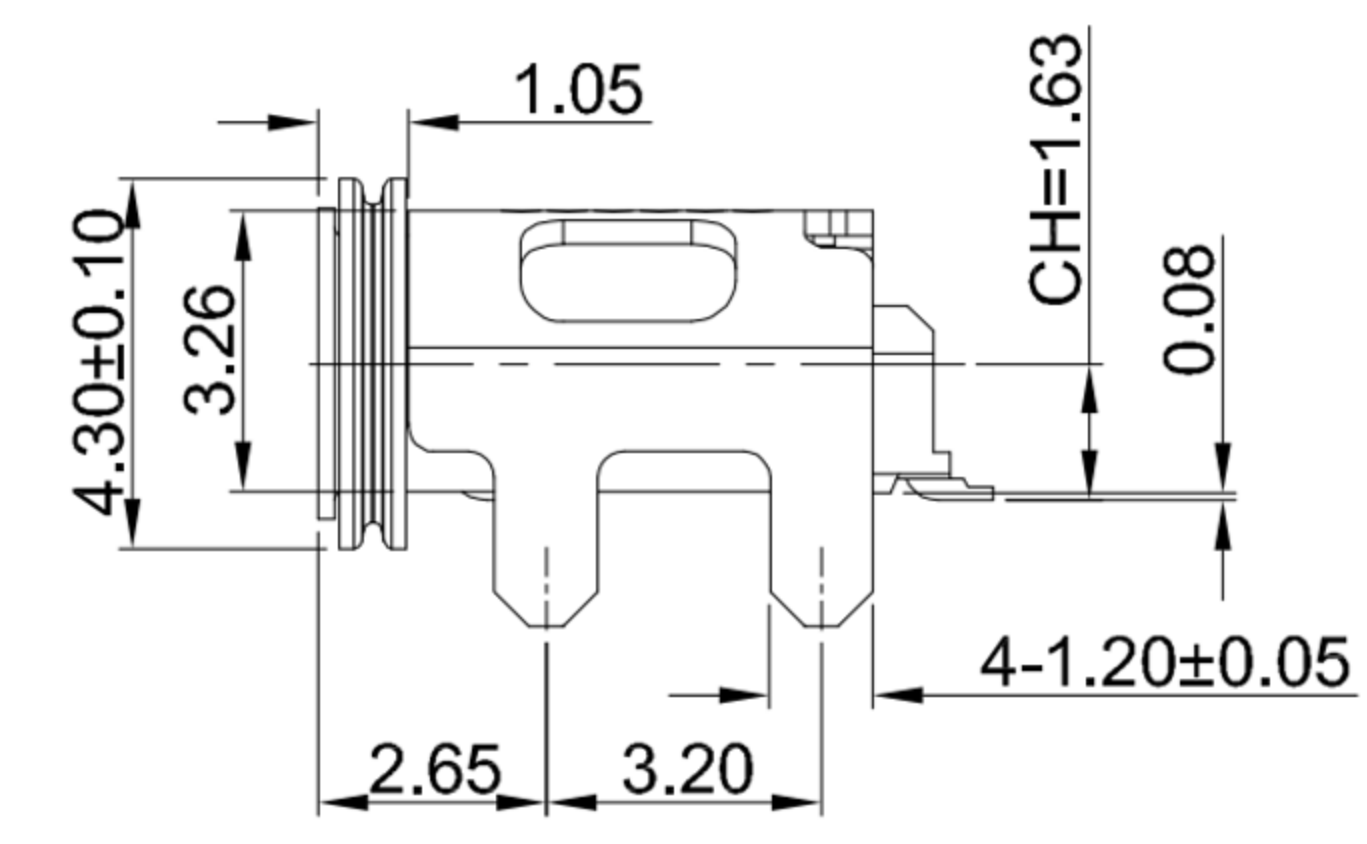
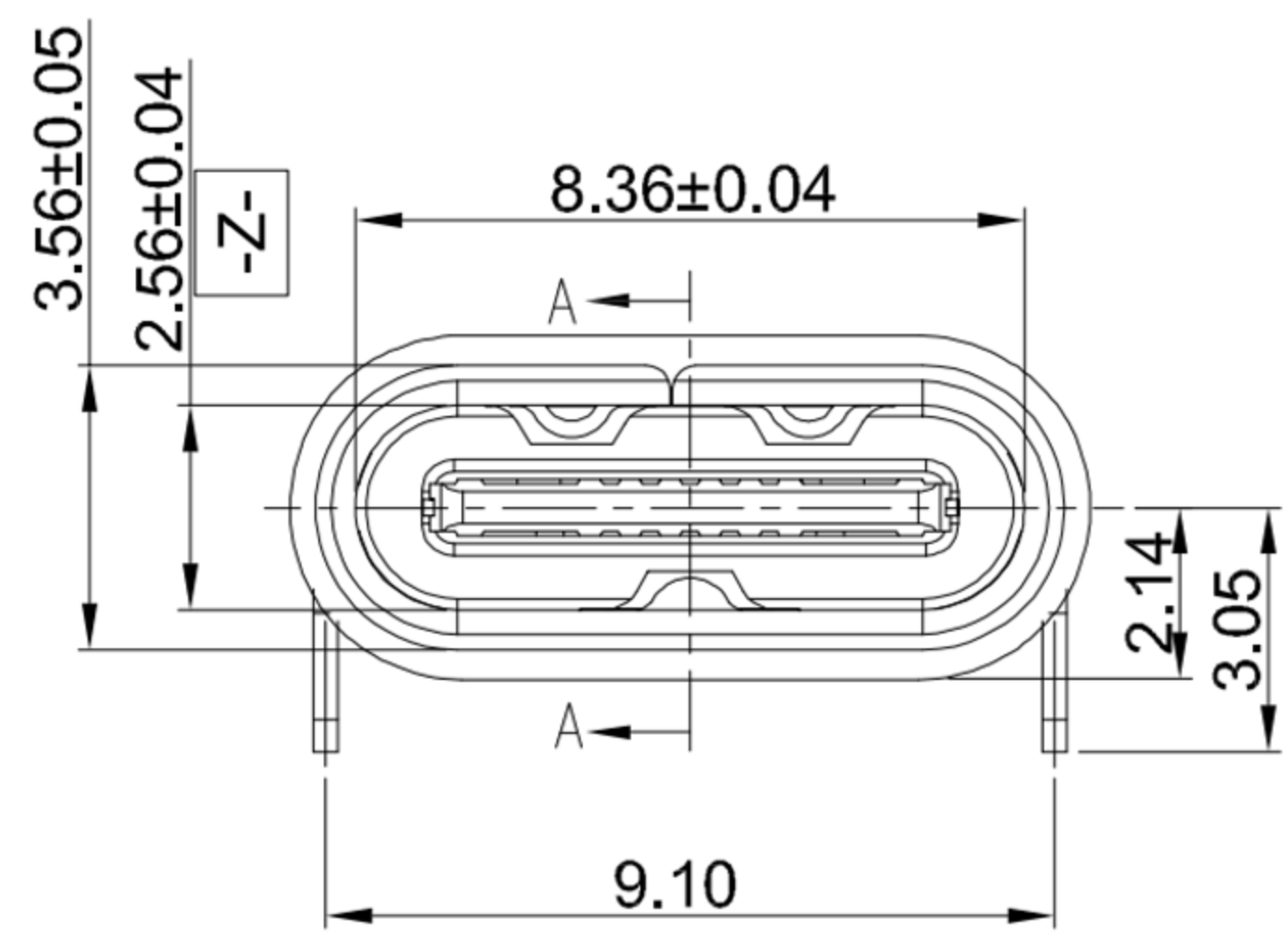
### SPECIFICATIONS

- Electrical:**
1. Rating: 5.0A (V BUS&GND), 0.25A (Other Pin)
  2. Voltage rating: 12V 24V AC
  3. Contact Resistance: 40 mΩ Max
  4. Insulation Resistance: 100 MΩ Min
  5. Dielectric Withstanding Voltage: 100V AC
  6. Operating temperature: -40° C ~ +85° C
  7. Waterproof grade: IP-X7
  8. Durability cycle: 10,000 cycles

- Mechanical:**
1. Connector Mate and Unmate Force
  - 1.1 Mate force: 5~20 N.
  - 1.2 Unmate force: 8~20 N

- Material:**
1. Housing: LCP
  2. Contact: C18400
  3. Shell: SUS
  4. O-ring: Silicone

- Finish:**
1. Contact: Plated Gold in Mating Area ; Tin Plated on Solder Balls ; Nickel under plated overall
  2. Shell: Nickel under Plated surface layer



A1	A2	A3	A4	A5	A6	A7	A8	A9	A10	A11	A12
GND			VBUS	CC1	D+	D-	SBU1	VBUS			GND
First			First	Second	Second	Second	Second	First			First
B12	B11	B10	B9	B8	B7	B6	B5	B4	B3	B2	B1
GND			VBUS	SBU2	D-	D+	CC2	VBUS			GND
First			First	Second	Second	Second	Second	First			First

**X3** 东莞市溪榜电子有限公司  
DONG GUAN XI BANG ELECTRONICS CO., LTD.

TOLERANCE UNLESS OTHERWISE STATED:  
 Up to 5 ±0.2  
 Above 5 ~ 15 ±0.3  
 Above 15 ~ 30 ±0.4  
 Above 30 ~ 50 ±0.5  
 Angle ±0.3°

3RD. ANGEL'S

UNITS MM

DRAWN BY:	DATE	MAT'L	TITLE	CONNECTOR
Jack Lu	03/10/22		MODLE	Horizontal Type-c 16P Female SMT CH=1.63 L=7.35mm
CHECKED BY:	DATE	FINISH	DWG NO.	XB-USB-C-1615-FS
Jacky Chen	03/10/22		PART NO.	
APPROVED BY:	DATE	SCALE	SHEET NO.	1 of 1
Tony Kao	03/10/22	1:1		

1	更新圖面	Jack	031022
ITEM NO.	DESCRIPTION	DRAWN	DATE