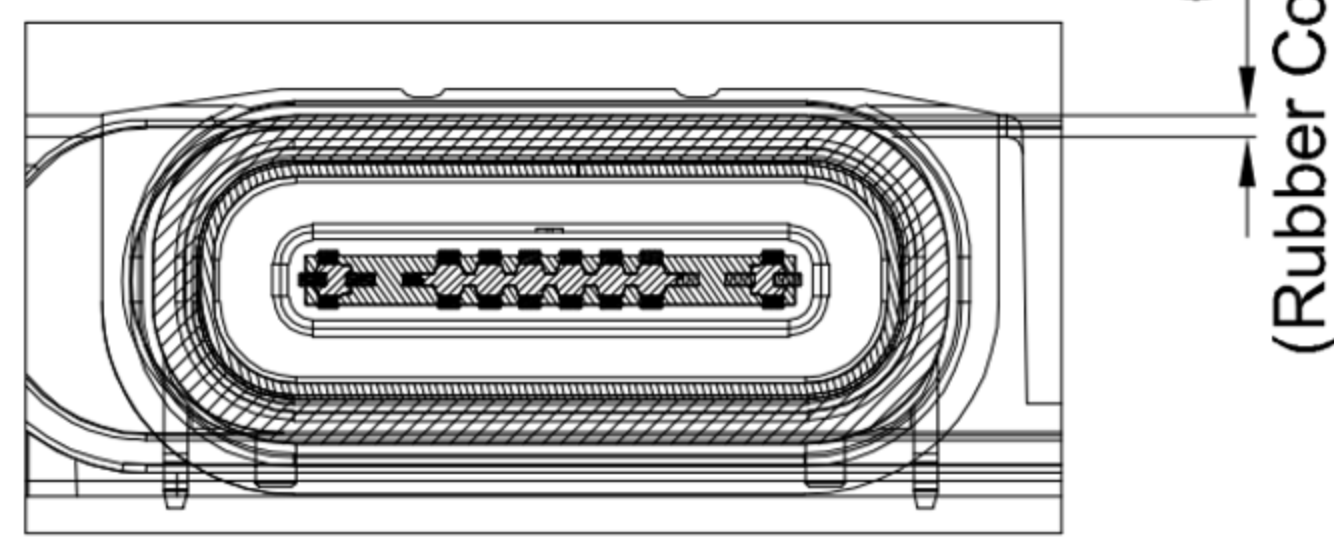
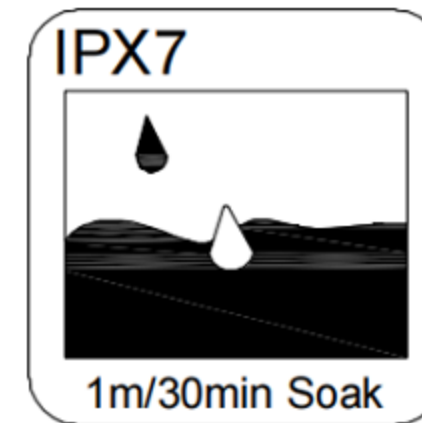
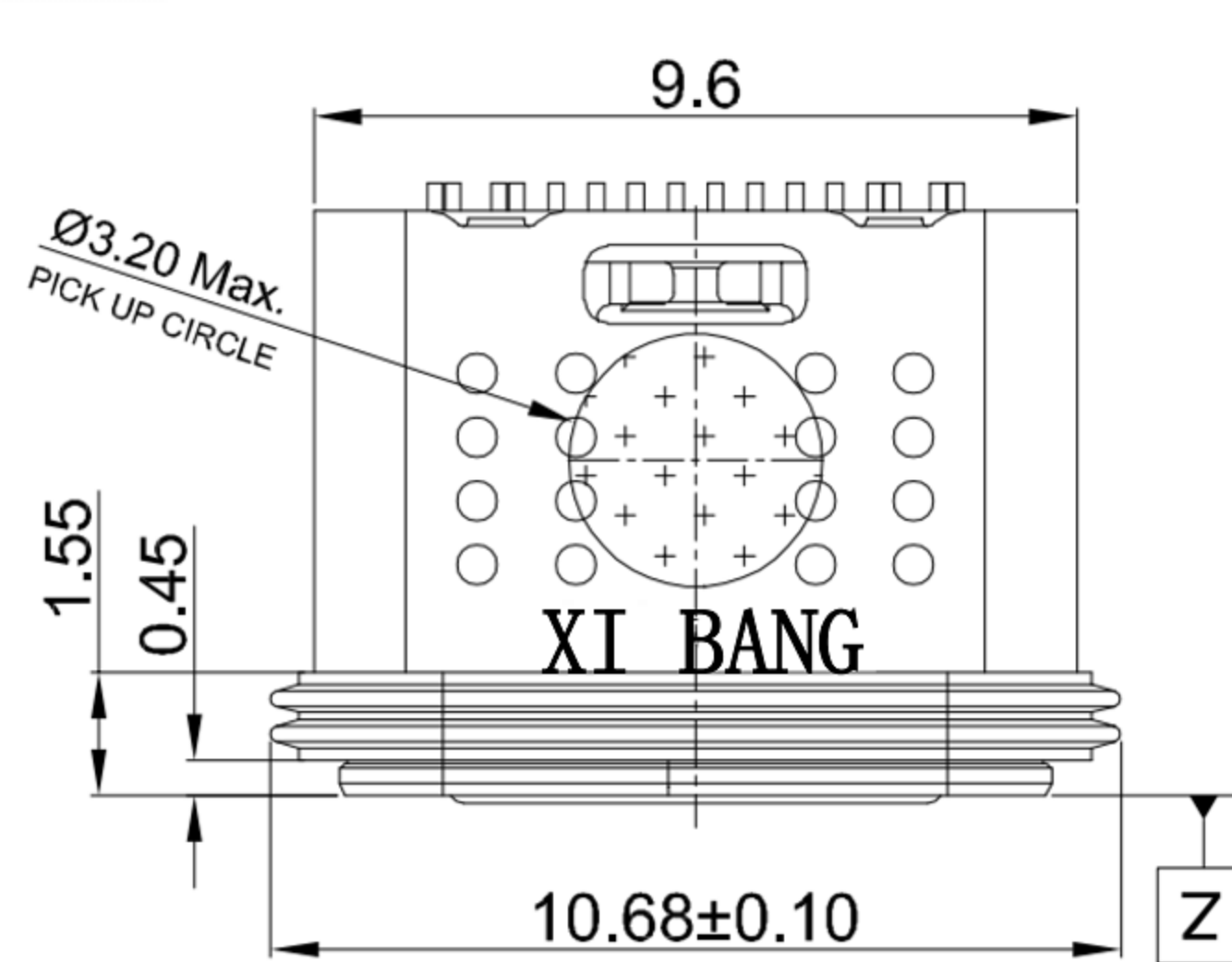


XI BANG

Mount Customer's Mechanism



SECTION A-A



IPX7



鍍層厚度:

Blank	1u"
2	15u"
3	30u"

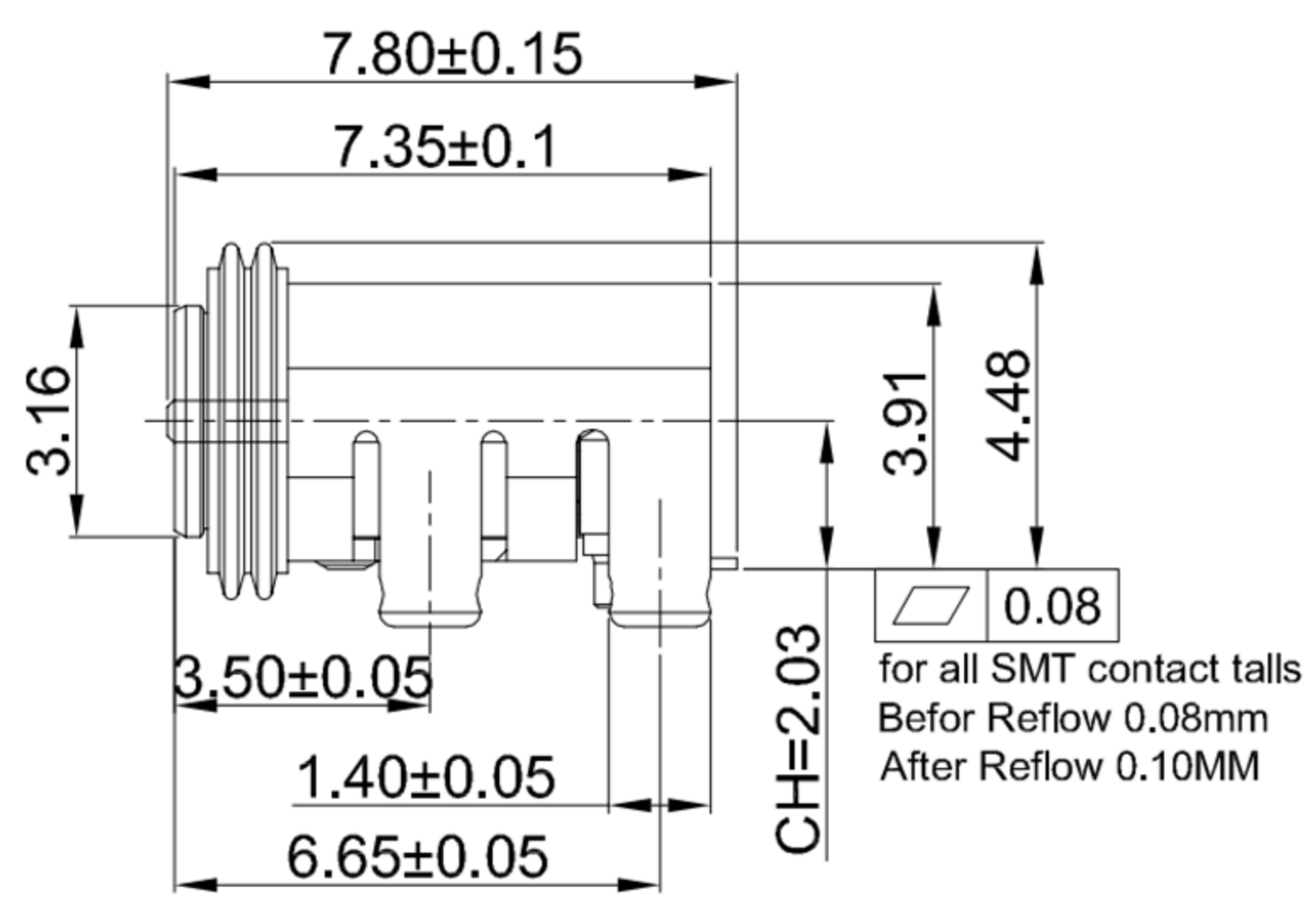
SPECIFICATIONS

- Electrical:**
- Rating: 5.0A (V BUS&GND), 0.25A (Other Pin)
 - Voltage rating: 12V 24V AC
 - Contact Resistance: 40 mΩ Max
 - Insulation Resistance: 100 MΩ Min
 - Dielectric Withstanding Voltage: 100V AC
 - Operating temperature: -40° C ~ +85° C
 - Waterproof grade: IP-X7
 - Durability cycle: 10,000 cycles

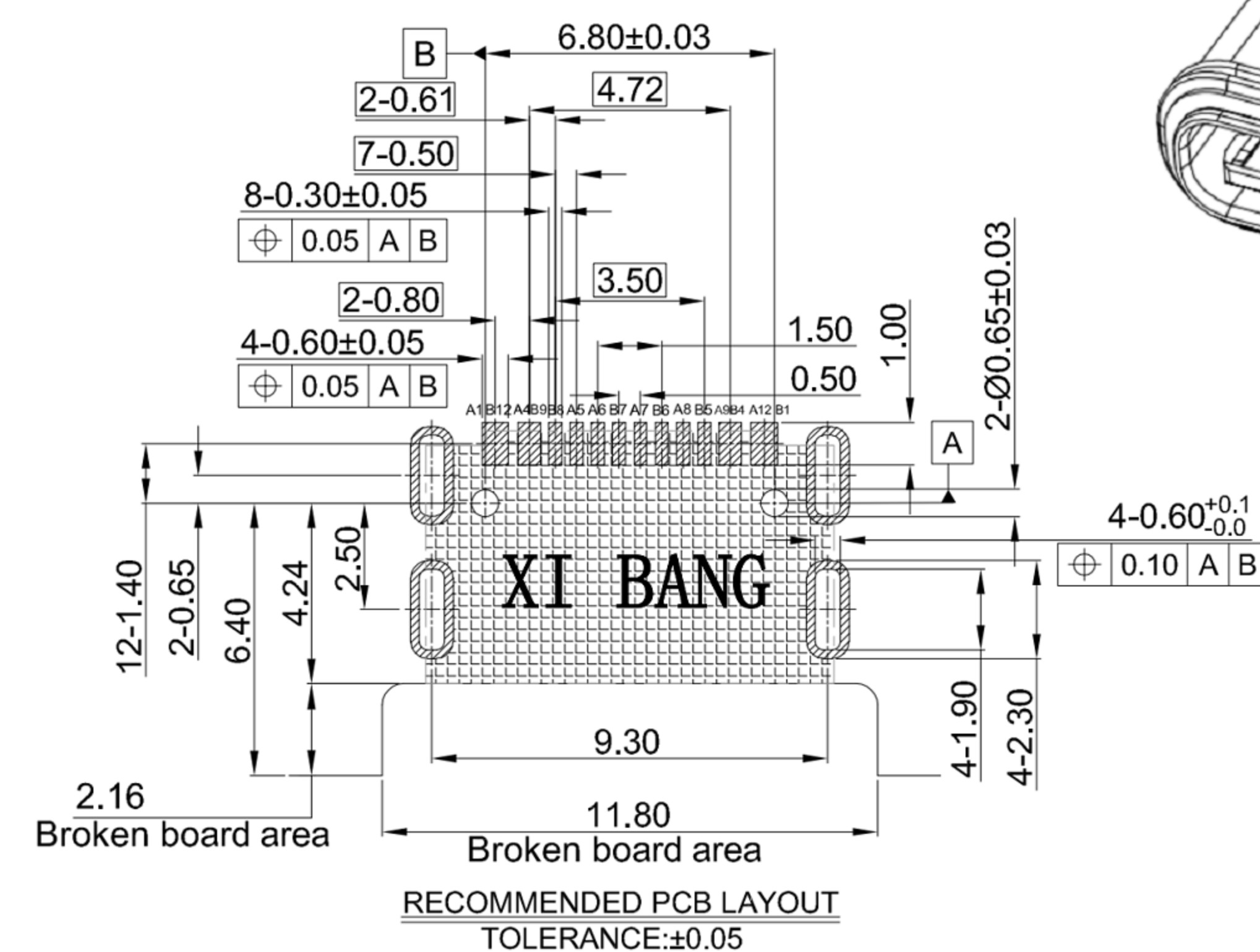
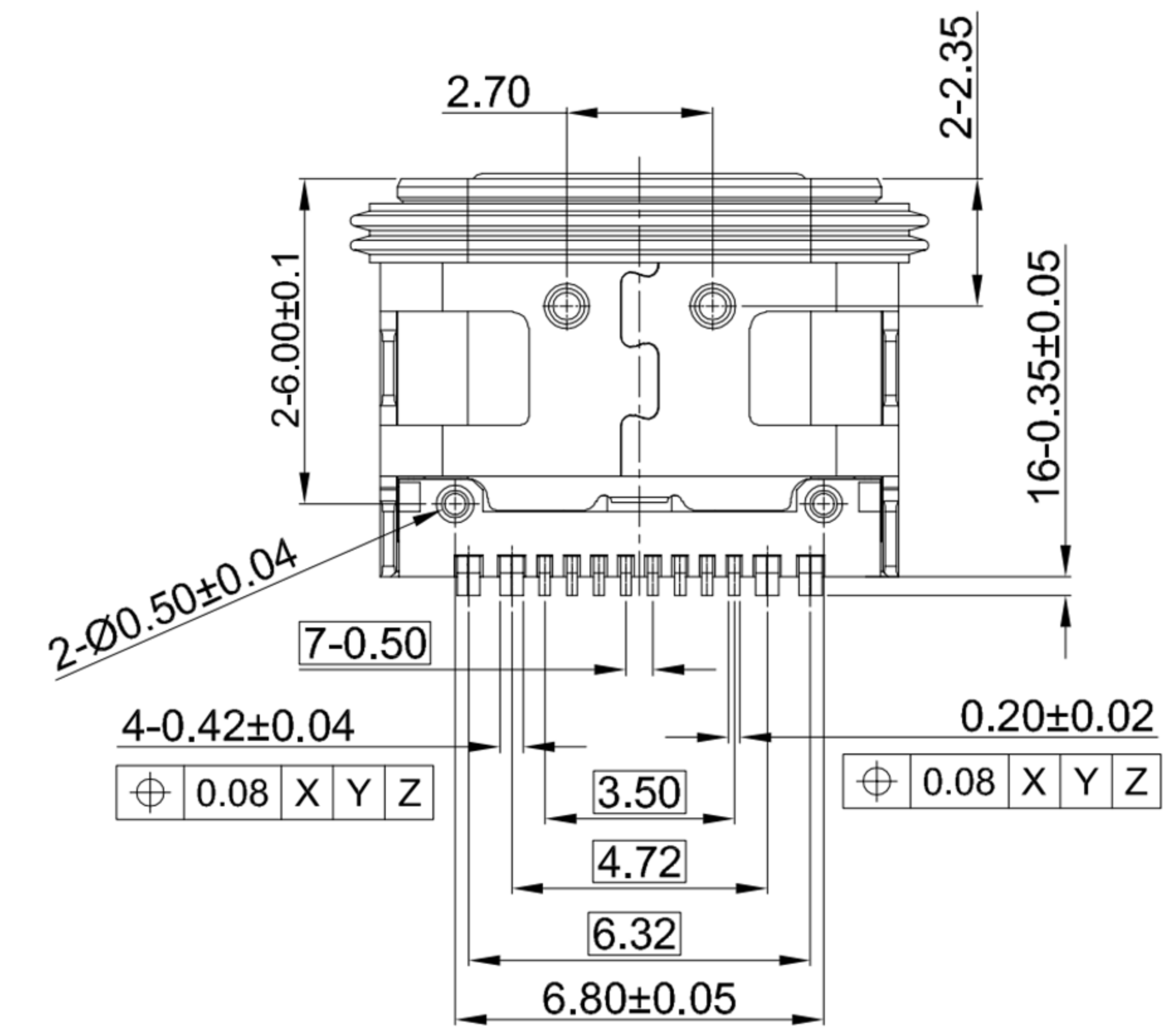
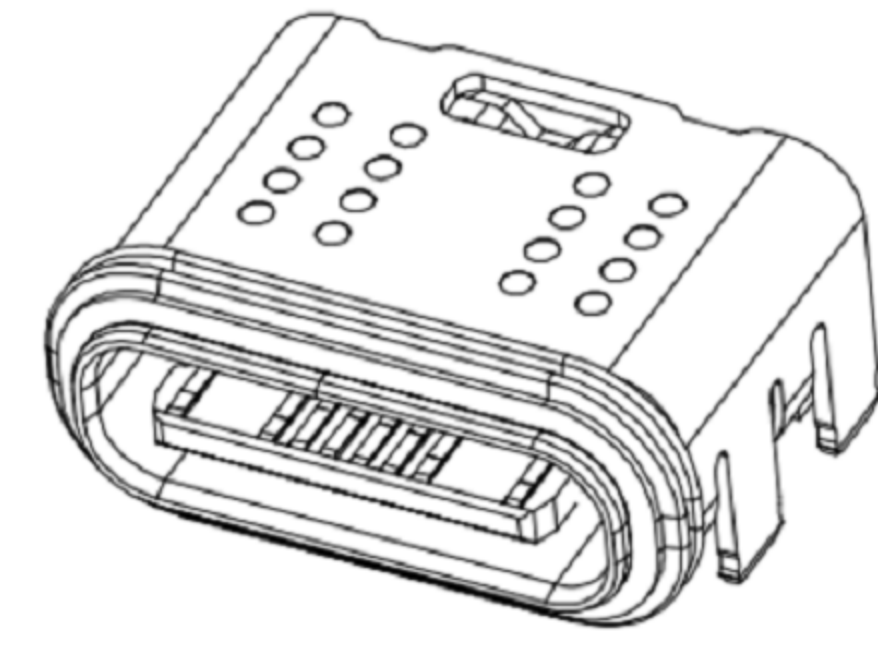
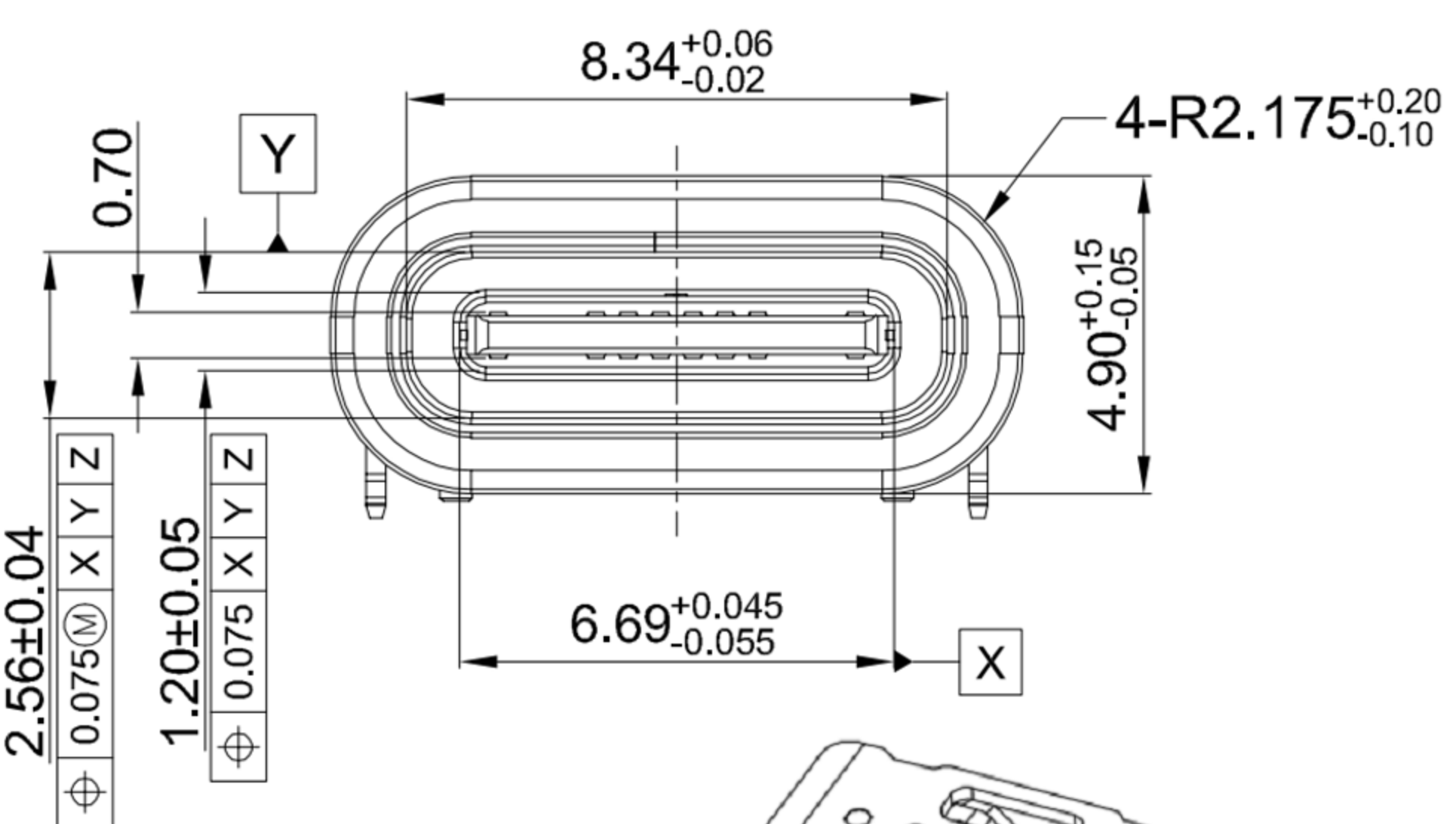
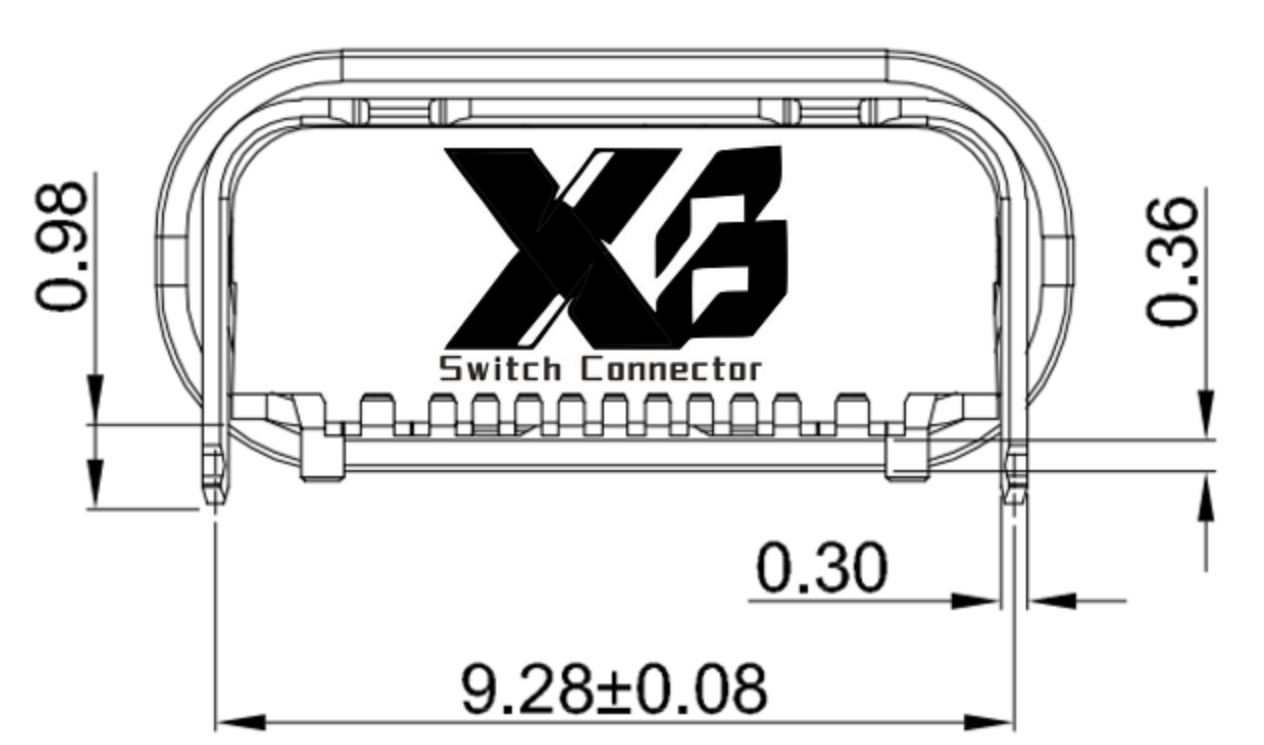
- Mechanical:**
- Connector Mate and Unmate Force
 - Mate force: 5~20 N.
 - Unmate force: 8~20 N

- Material:**
- Housing: LCP
 - Contact: C18400
 - Shell: SUS
 - O-ring: Silicone

- Finish:**
- Contact: Plated Gold in Mating Area ; Tin Plated on Solder Balls ; Nickel under plated overall
 - Shell: Nickel under Plated surface layer



for all SMT contact tails
Before Reflow 0.08mm
After Reflow 0.10MM



A1	A2	A3	A4	A5	A6	A7	A8	A9	A10	A11	A12
GND			VBUS	CC1	D+	D-	SBU1	VBUS			GND
First			First	Second	Second	Second	Second	First			First
B12	B11	B10	B9	B8	B7	B6	B5	B4	B3	B2	B1
GND			VBUS	SBU2	D-	D+	CC2	VBUS			GND
First			First	Second	Second	Second	Second	First			First

XB 东莞市溪榜电子有限公司
DONG GUAN XI BANG ELECTRONICS CO., LTD.

TOLERANCE UNLESS OTHERWISE STATED:
Up to 5 ±0.2
Above 5 ~ 15 ±0.3
Above 15 ~ 30 ±0.4
Above 30 ~ 50 ±0.5
Angle ±0.3°

3RD. ANGEL'S

UNITS MM

DRAWN BY:	DATE	MAT'L	TITLE	CONNECTOR
Jack Lu	03/10/22			
CHECKED BY:	DATE	FINISH	MODLE	Horizontal Type-c 16P Female SMT CH=2.03 L=7.35mm
Jacky Chen	03/10/22			
APPROVED BY:	DATE	SCALE	DWG NO.	XB-USB-C-1614-FS
Tony Kao	03/10/22	1:1	PART NO.	
SHEET NO.	1 of 1			

1	更新圖面	Jack	031022
ITEM NO.	DESCRIPTION	DRAWN	DATE