

IPX7



鍍層厚度:

Blank : 1u"
2 : 15u"
3 : 30u"

SPECIFICATIONS

Electrical:

1. Rating: 5.0A (V BUS&GND), 0.25A (Other Pin)
2. Voltage rating: 12V 24V AC
3. Contact Resistance: 40 mΩ Max
4. Insulation Resistance: 100 MΩ Min
5. Dielectric Withstanding Voltage: 100V AC
6. Operating temperature: -40° C ~ +85° C
7. Waterproof grade: IP-X7
8. Durability cycle: 10,000 cycles

Mechanical:

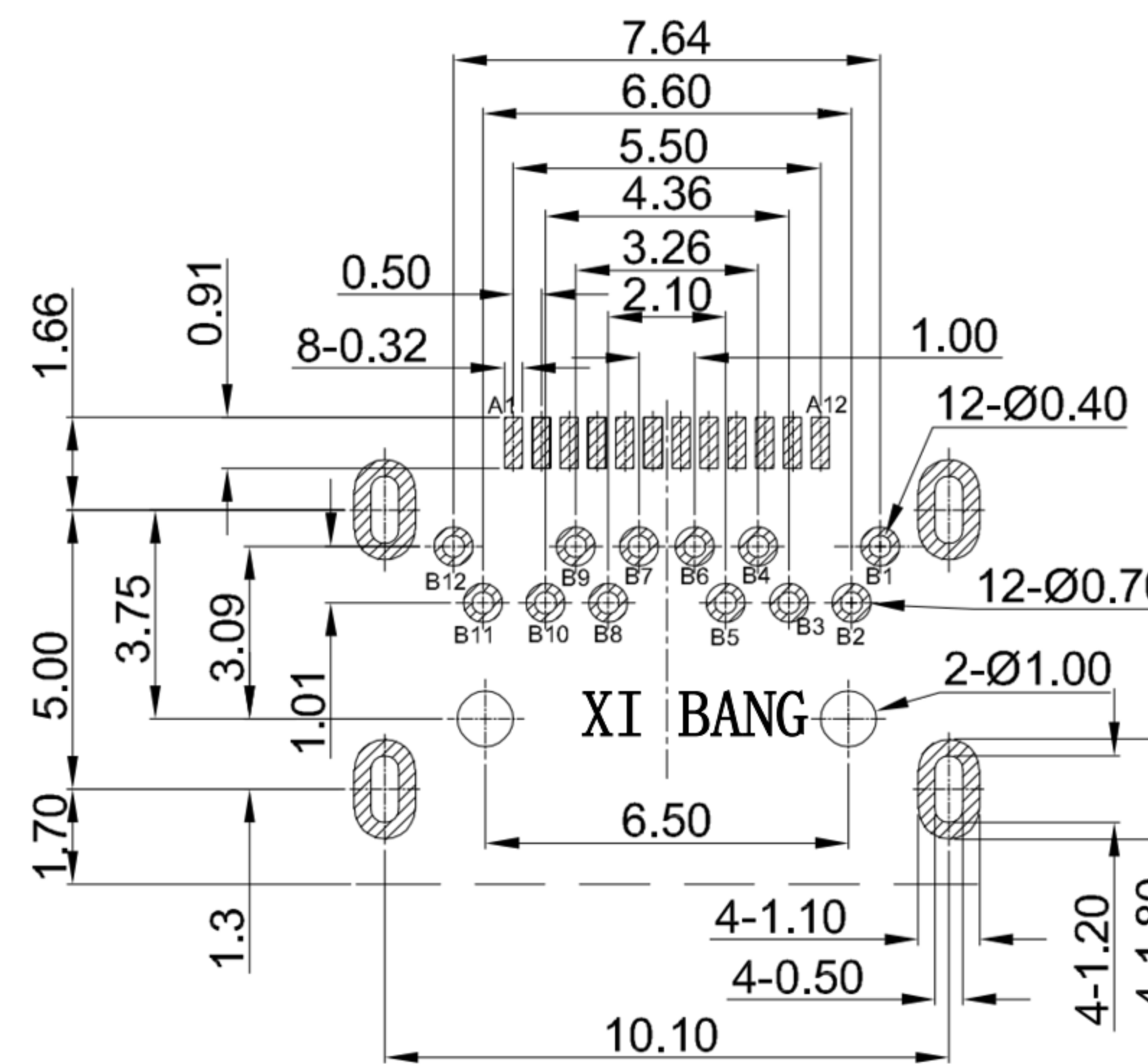
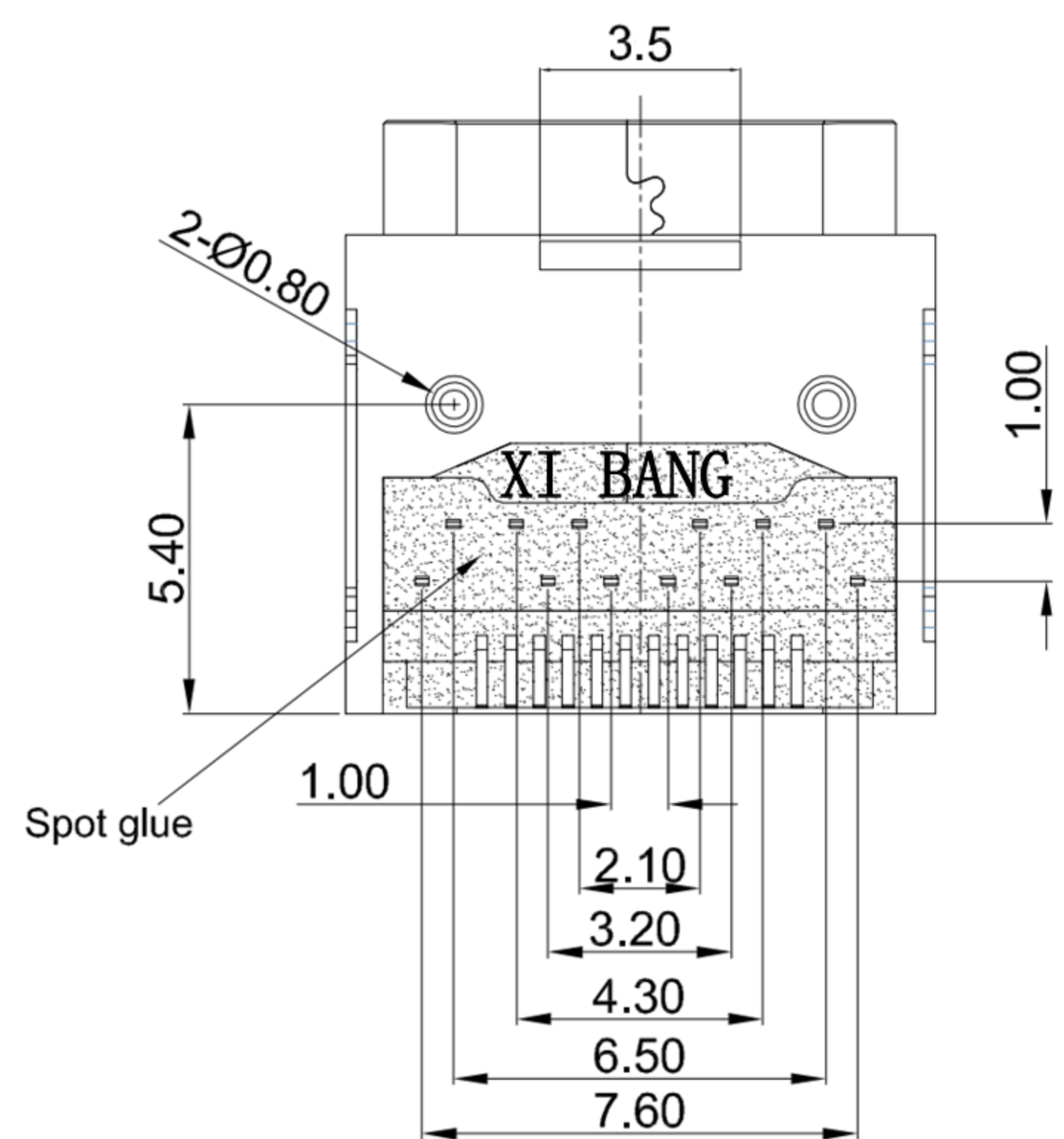
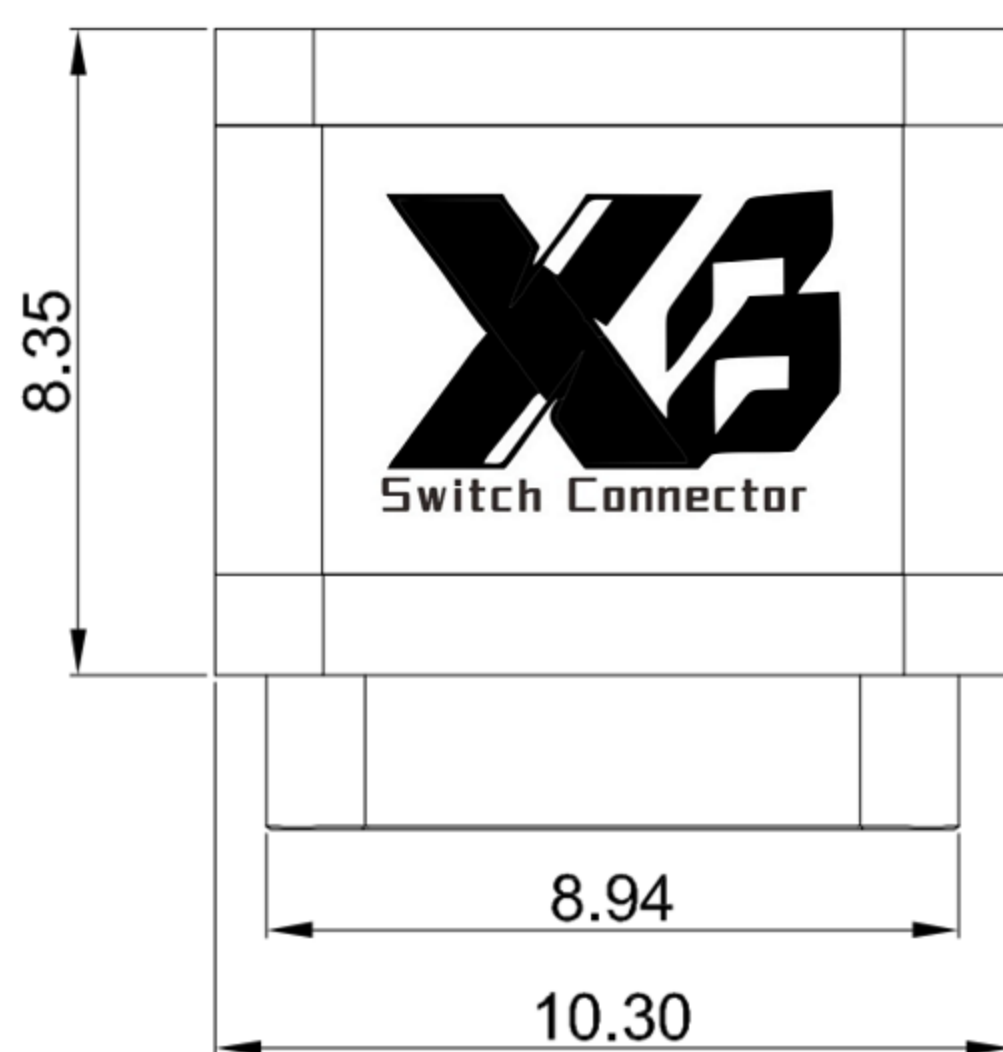
1. Connector Mate and Unmate Force
 - 1.1 Mate force: 5~20 N .
 - 1.2 Unmate force: 8~20 N

Material:

1. Housing: LCP
2. Contact: C18400
3. Shell: SUS
4. O-ring: Silicone

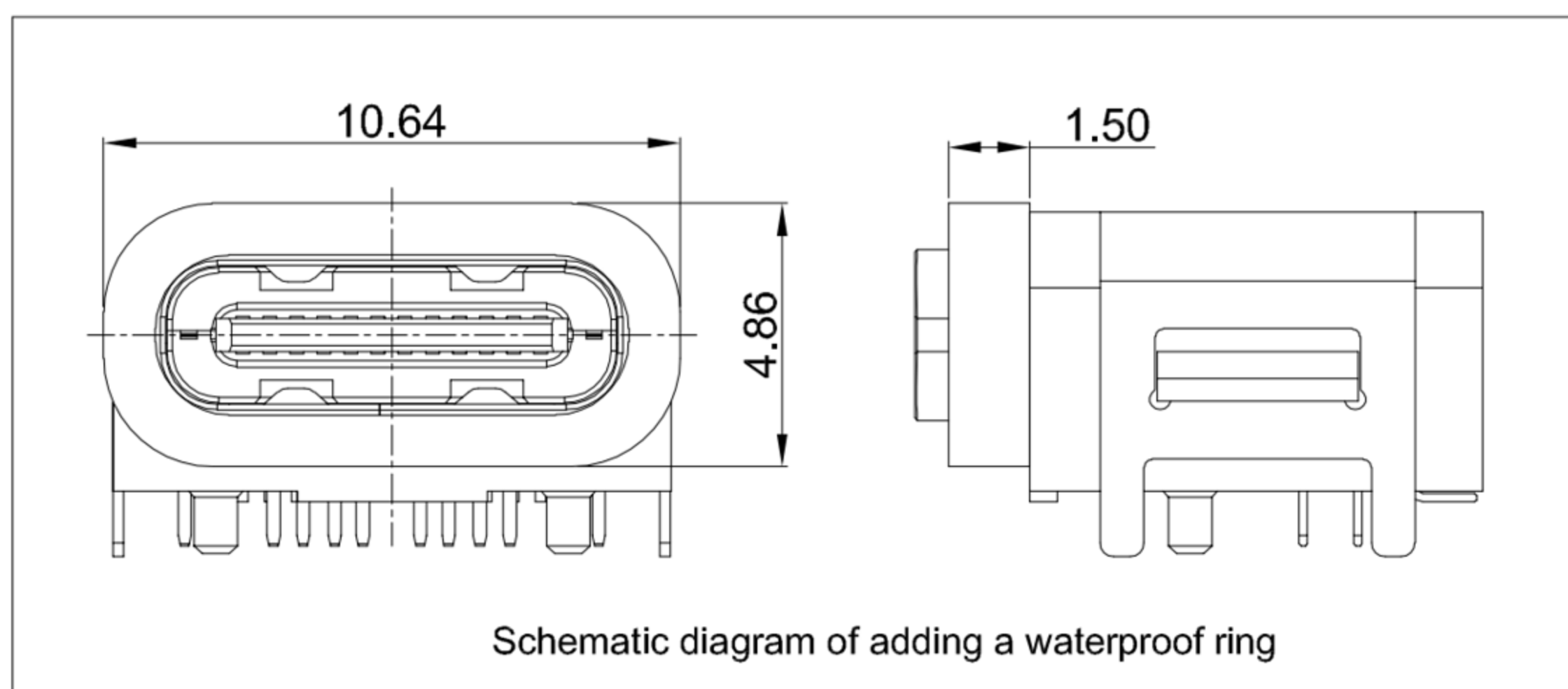
Finish:

1. Contact: Plated Gold in Mating Area ;
Tin Plated on Solder Balls ;
Nickel under plated overall
2. Shell: Nickel under Plated surface layer



RECOMMENDED PCB LAYOUT
TOLERANCE: ±0.05

A1	A2	A3	A4	A5	A6	A7	A8	A9	A10	A11	A12
GND	TX1+	TX1-	VBUS	CC1	D+	D-	SBU1	VBUS	RX2-	RX2+	GND
First	Second	Second	First	Second	Second	Second	Second	First	Second	Second	First
B12	B11	B10	B9	B8	B7	B6	B5	B4	B3	B2	B1
GND	RX1+	RX1-	VBUS	SBU2	D-	D+	CC2	VBUS	TX2-	TX2+	GND
First	Second	Second	First	Second	Second	Second	Second	First	Second	Second	First

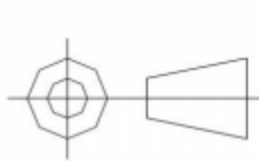


东莞市溪榜电子有限公司
DONG GUAN XI BANG ELECTRONICS CO., LTD.

TOLERANCE UNLESS OTHERWISE STATED:

Up to 5	±0.2
Above 5 ~ 15	±0.3
Above 15 ~ 30	±0.4
Above 30 ~ 50	±0.5
Angle	±0.3°

3RD. ANGEL'S



UNITS MM

DRAWN BY:	DATE
Jack Lu	03/10/22
CHECKED BY:	DATE
Jacky Chen	03/10/22
APPROVED BY:	DATE
Tony Kao	03/10/22

MAT'L	TITLE	CONNECTOR
FINISH	MODLE	Horizontal Type-c 24P Female SMT+DIP CH=3.07 L=10.35mm
SCALE	DWG NO.	XB-USB-C-1613-FS
SHEET NO.	PART NO.	
1:1	1 of 1	

1	更新圖面	Jack	031022
ITEM NO.	DESCRIPTION	DRAWN	DATE

SIZE
A4
VER
R1