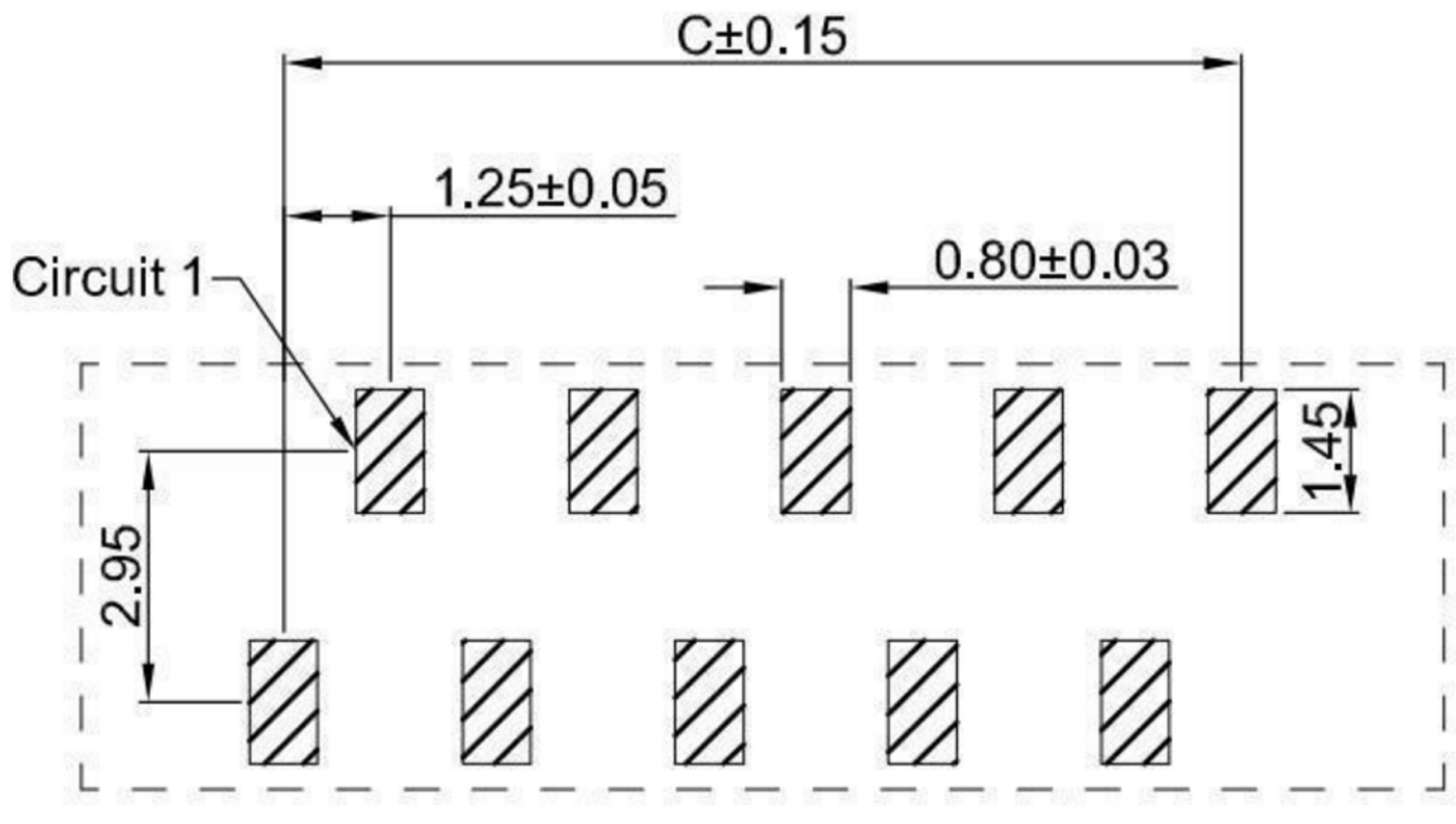
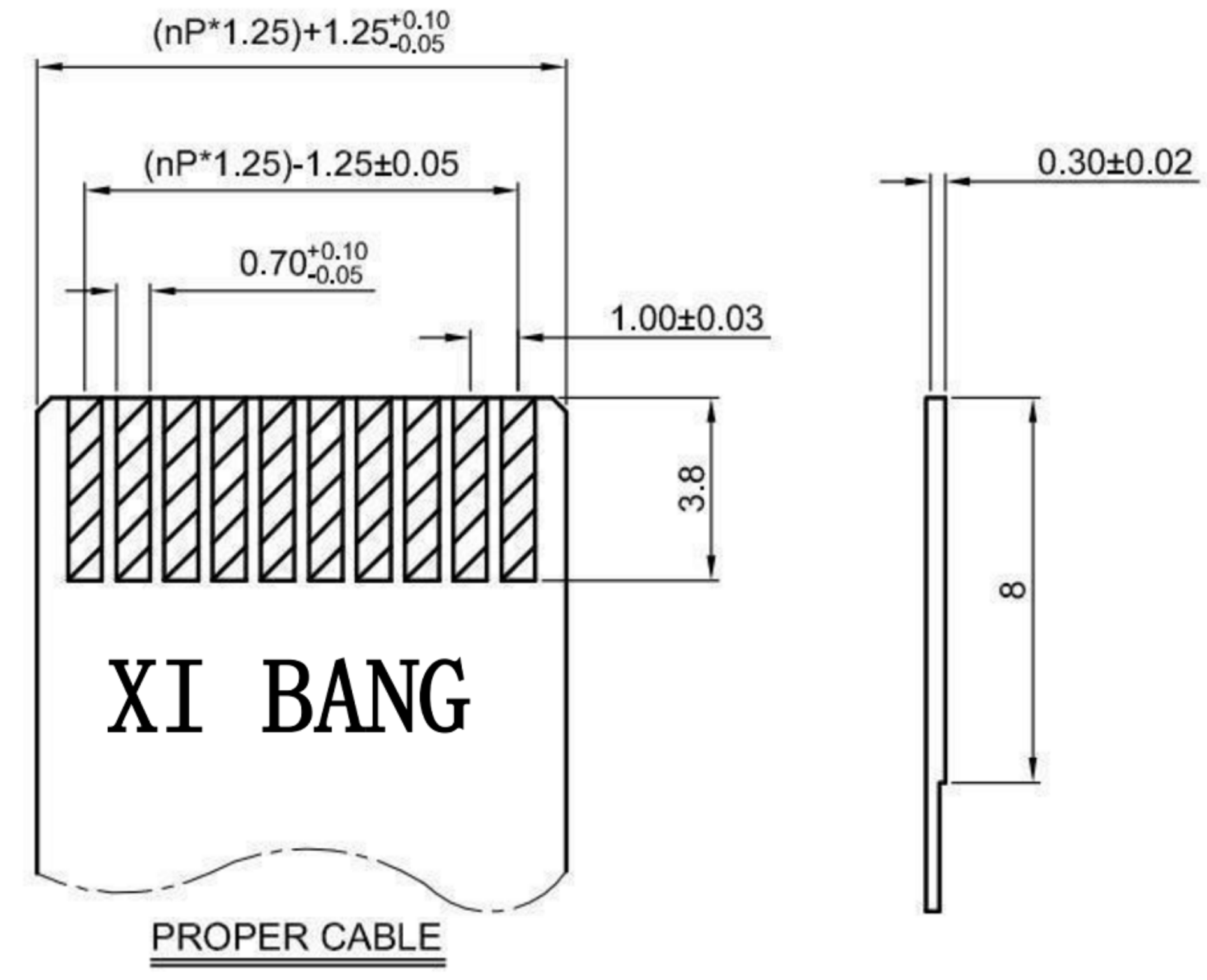


- XB-FPC specifications:**
- 1.Current rated: 1.0A AC/DC
 - 2.Voltage rating: 125V AC/DC
 - 3.Withstanding voltage: 500V AC
 - 4.Contact resistance: 50mΩ max.
 - 5.Insulation resistance: 100MΩ min
 - 6.Durability cycle: 20Cycles
 - 7.Removal force: 0.05kgf/Pin min
 - 8.Operating temperature range: -25°C ~ +85°C



RECOMMENDED PCB LAYOUT
TOLERANCE:±0.05

Ordering Information:

Circuit	Dimensions(mm)			Circuit	Dimensions(mm)		
	A	B	C		A	B	C
04	8.00	6.40	3.75	12	18.00	16.40	13.75
05	9.25	7.65	5.00	13	19.25	17.65	15.00
06	10.50	8.90	6.25	14	20.50	18.90	16.25
07	11.75	10.15	7.50	15	21.75	20.15	17.50
08	13.00	11.40	8.75	16	23.00	21.40	18.75
09	14.25	12.65	10.00	17	24.25	22.65	20.00
10	15.50	13.90	11.25	18	25.50	23.90	21.25
11	16.75	15.15	12.50	19	26.75	25.15	22.50
12	18.00	16.40	13.75	20	28.00	26.40	23.75

XB 东莞市溪榜电子有限公司
DONG GUAN XI BANG ELECTRONICS CO., LTD.

TOLERANCE UNLESS OTHERWISE STATED:
 Up to 5 ±0.2
 Above 5 ~ 15 ±0.3
 Above 15 ~ 30 ±0.4
 Above 30 ~ 50 ±0.5
 Angle ±0.3°

3RD. ANGEL'S

UNITS MM

DRAWN BY: Jack Lu
 CHECKED BY: Jacky Chen
 APPROVED BY: Tony Kao

DATE: 03/10/22

MAT'L
 FINISH
 SCALE: 1:1
 SHEET NO.: 1 of 1

TITLE: CONNECTOR
 MODLE: FPC 1.25mm Pitch 180° SMT Single Row Double Sided Welding
 DWG NO.: XB-FPC-1251SV55-XXXXX01
 PART NO.:

SIZE: A4
 VER: R1

ITEM NO.	DESCRIPTION	DRAWN	DATE
1	更新圖面	Jack	031022