

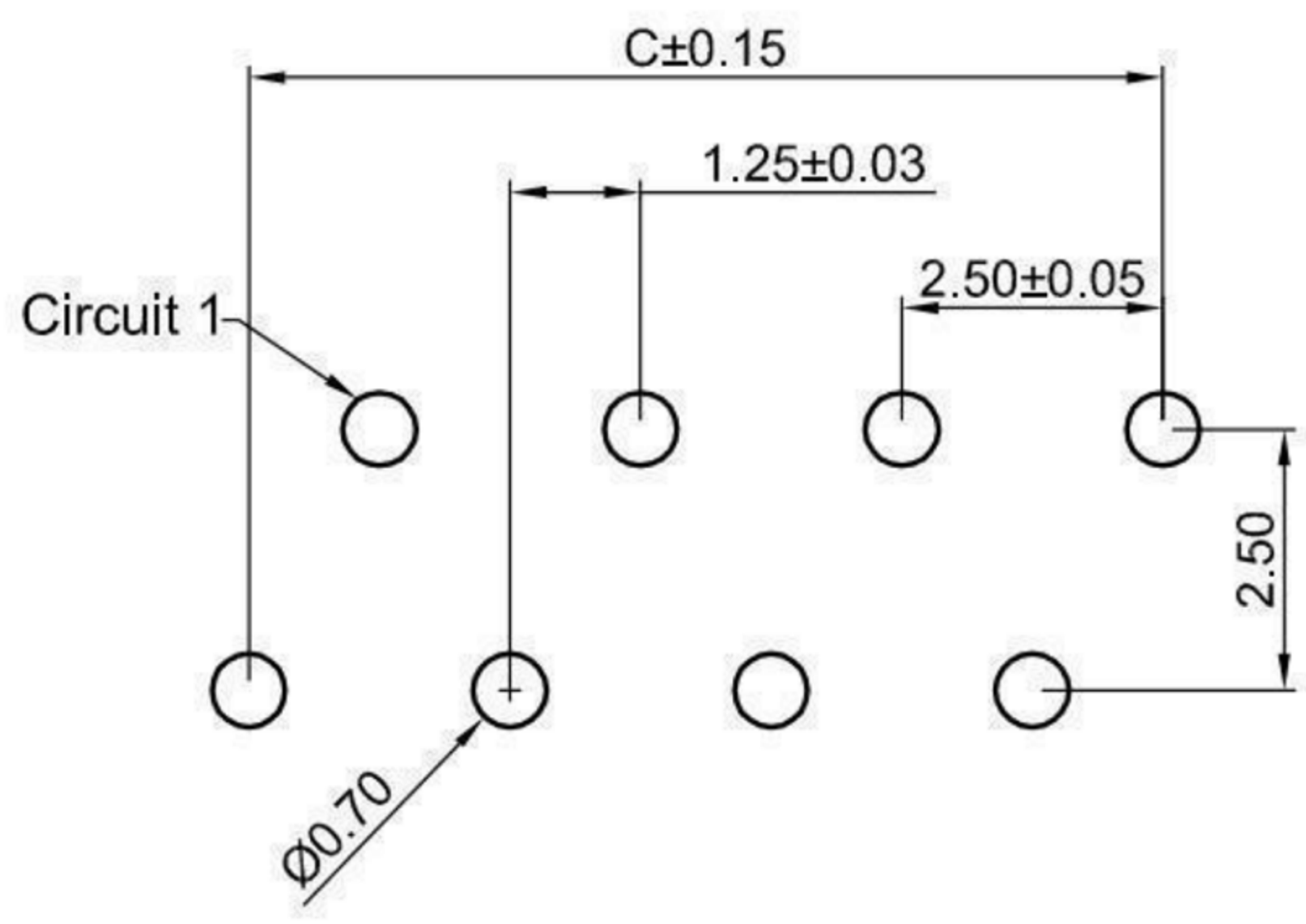
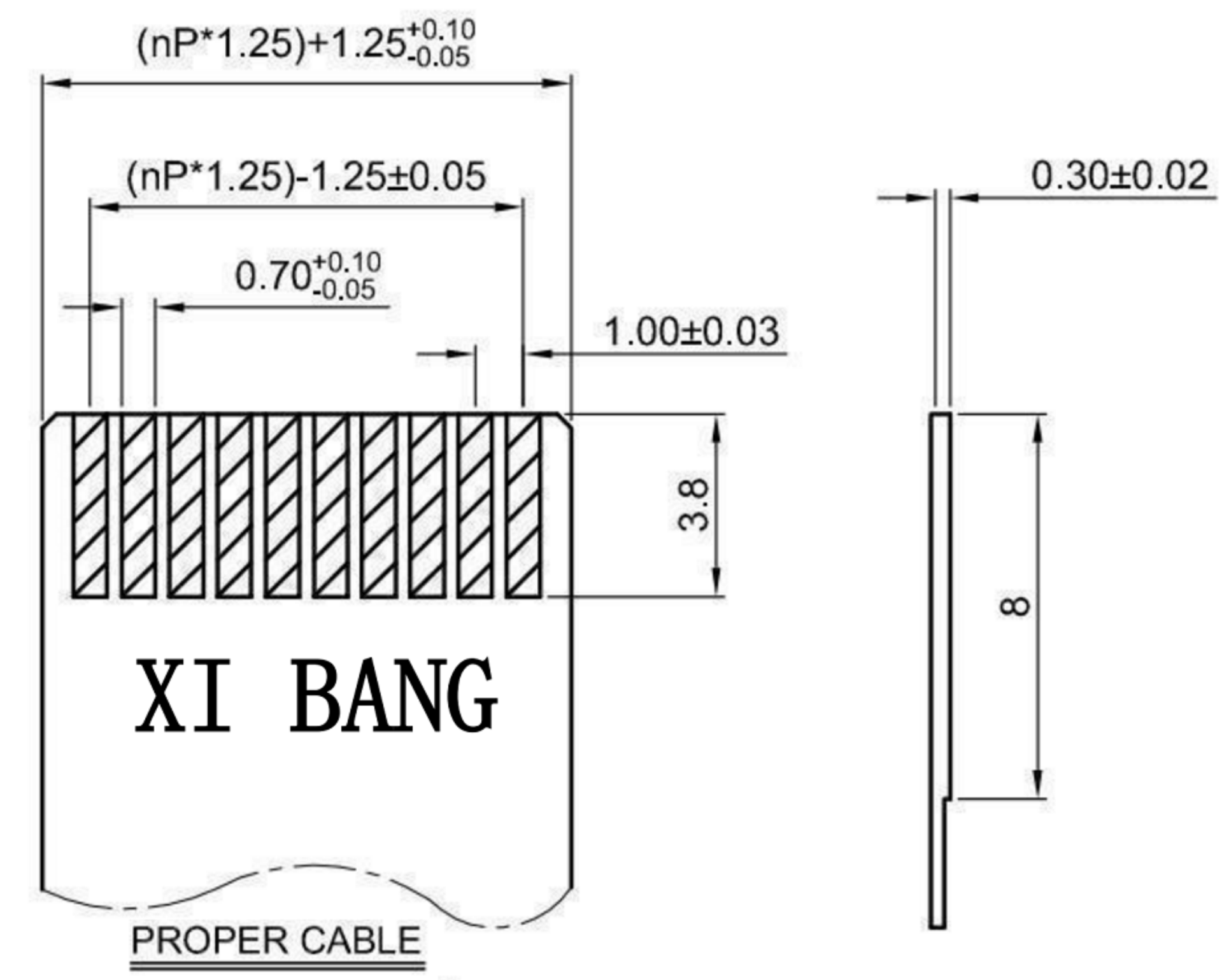
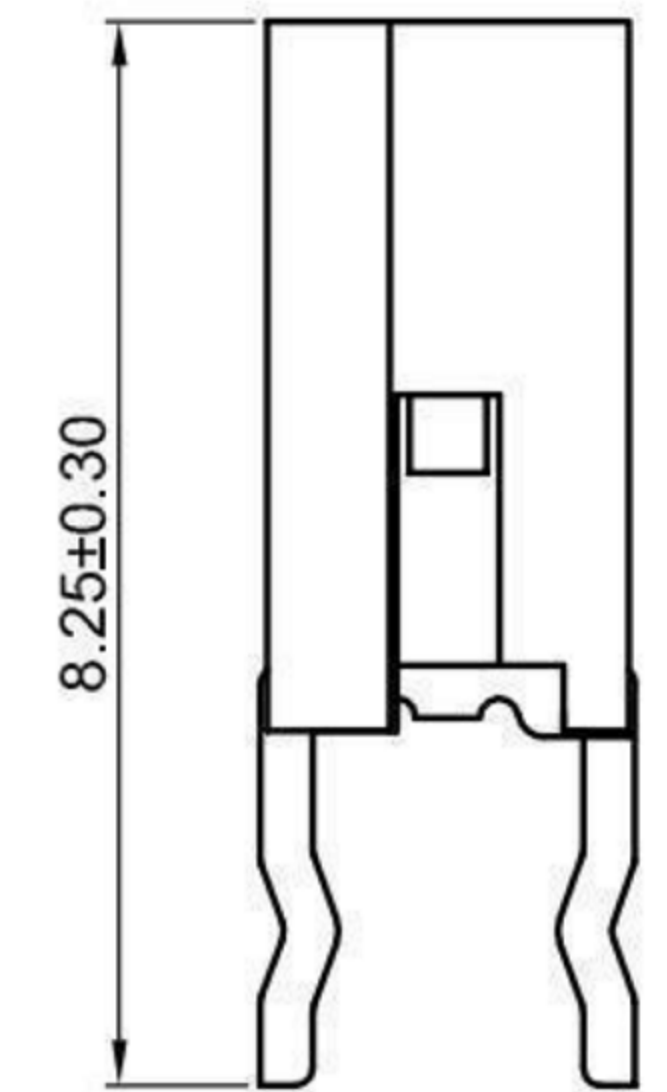
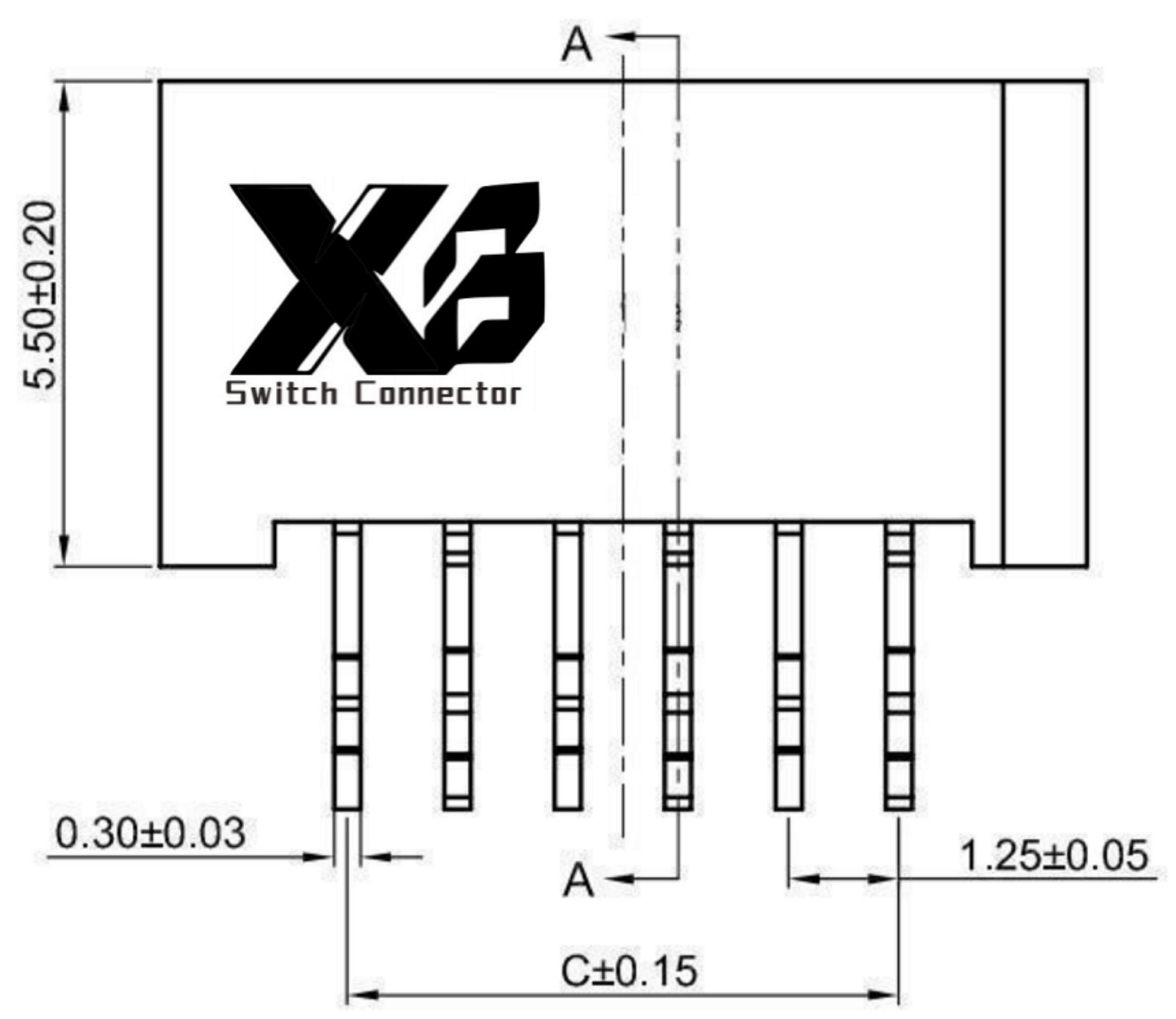
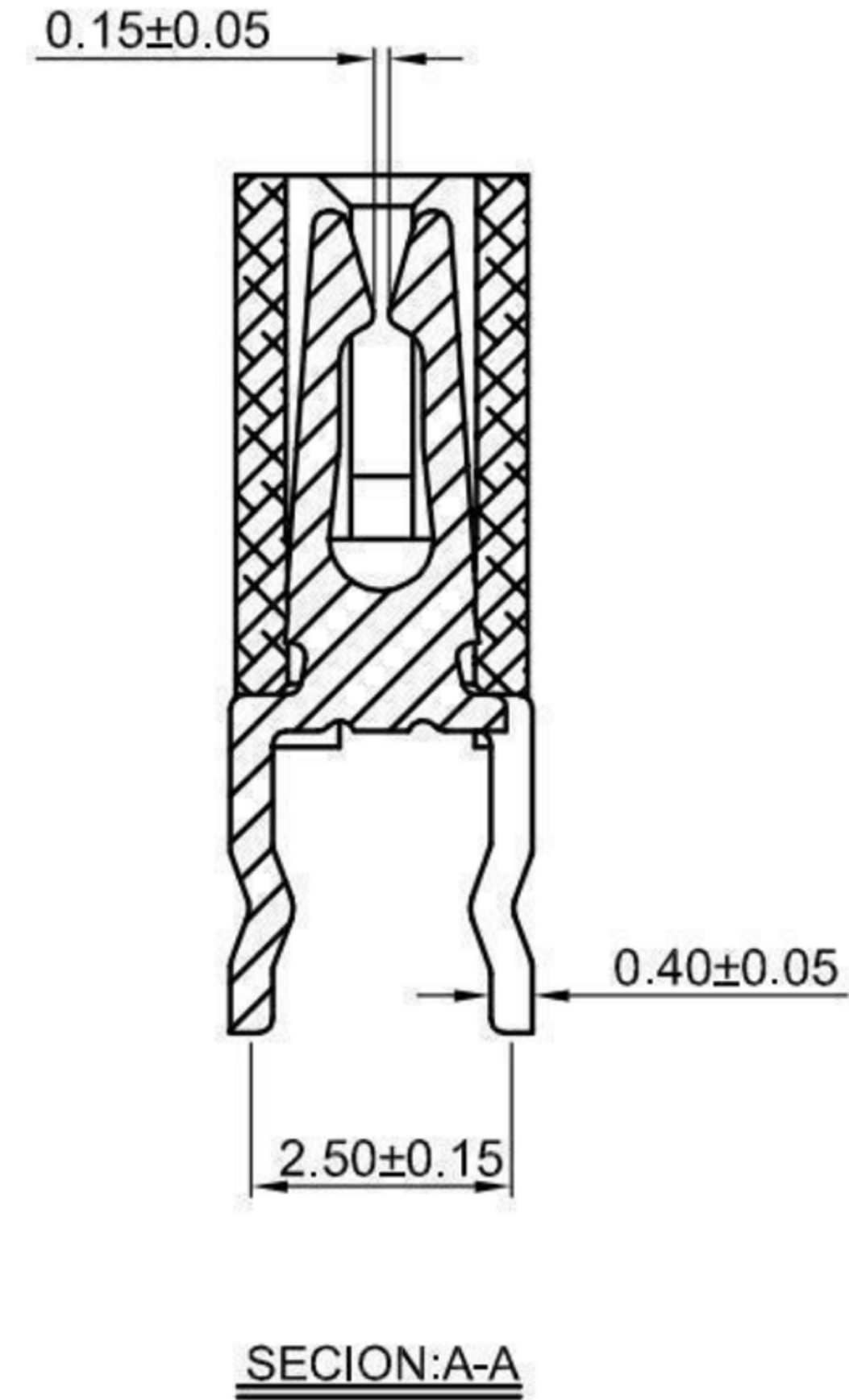
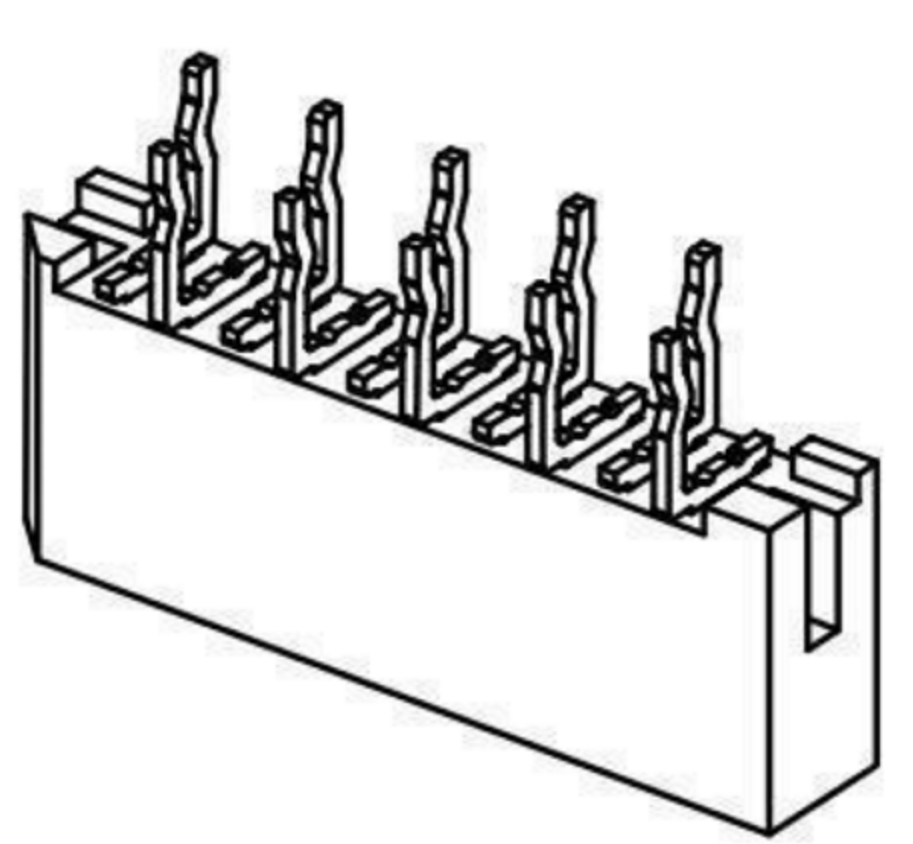
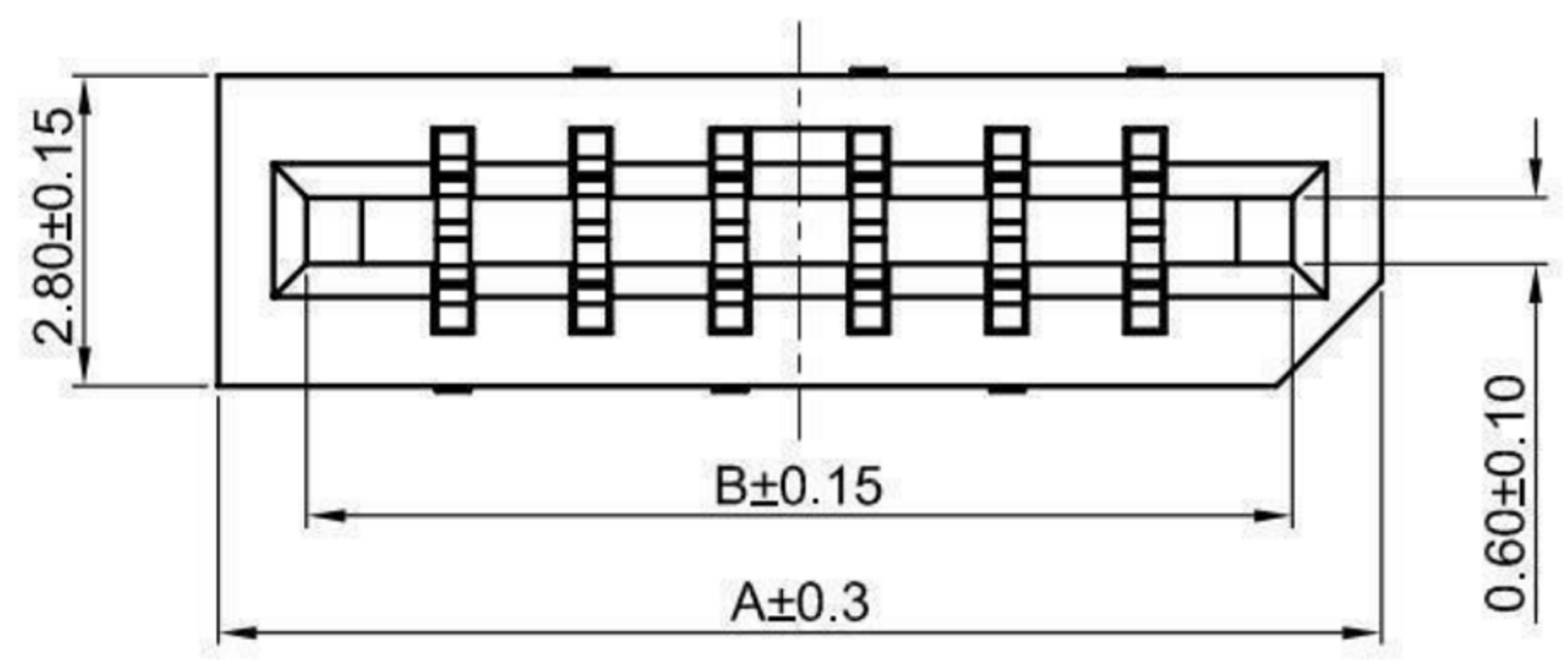


# XB-FPC -1251 D V 55 -XX X XX 01

**XB connector**  
**Series No**  
**Termipoint** D-DIP  
**Angle** V-180°

**Terminal Plating** BT-Bright Tin  
**Housing Colour** B-Black  
**Pin Q' PY** 04~20  
**Height** 55-5.50mm

- XB-FPC specifications:**
- 1.Current rated: 1.0A AC/DC
  - 2.Voltage rating: 125V AC/DC
  - 3.Withstanding voltage: 500V AC
  - 4.Contact resistance: 50mΩ max.
  - 5.Insulation resistance: 100MΩ min
  - 6.Durability cycle: 20Cycles
  - 7.Removal force: 0.05kgf/Pin min
  - 8.Operating temperature range: -25°C ~ +85°C



**RECOMMENDED PCB LAYOUT**  
TOLERANCE:±0.05

**Ordering Information:**

Circuit	Dimensions(mm)			Circuit	Dimensions(mm)		
	A	B	C		A	B	C
04	8.00	6.40	3.75	12	18.00	16.40	13.75
05	9.25	7.65	5.00	13	19.25	17.65	15.00
06	10.50	8.90	6.25	14	20.50	18.90	16.25
07	11.75	10.15	7.50	15	21.75	20.15	17.50
08	13.00	11.40	8.75	16	23.00	21.40	18.75
09	14.25	12.65	10.00	17	24.25	22.65	20.00
10	15.50	13.90	11.25	18	25.50	23.90	21.25
11	16.75	15.15	12.50	19	26.75	25.15	22.50
12	18.00	16.40	13.75	20	28.00	26.40	23.75

**XB** 东莞市溪榜电子有限公司  
 DONG GUAN XI BANG ELECTRONICS CO., LTD.

TOLERANCE UNLESS OTHERWISE STATED:  
 Up to 5 ±0.2  
 Above 5 ~ 15 ±0.3  
 Above 15 ~ 30 ±0.4  
 Above 30 ~ 50 ±0.5  
 Angle ±0.3°

3RD. ANGEL'S

UNITS MM

DRAWN BY: Jack Lu  
 CHECKED BY: Jacky Chen  
 APPROVED BY: Tony Kao

DATE: 03/10/22

MAT'L  
 FINISH  
 SCALE: 1:1  
 SHEET NO.: 1 of 1

TITLE: CONNECTOR  
 MODLE: FPC Pitch 1.25mm 180° DIP Double Row Double Sided Welding  
 DWG NO.: XB-FPC-1251DV55-XXXXX0  
 PART NO.:

SIZE: A4  
 VER: R1

ITEM NO.	DESCRIPTION	DRAWN	DATE
1	更新圖面	Jack	031022