



XB-FPC-0303 S R 10 -XX X XX 01

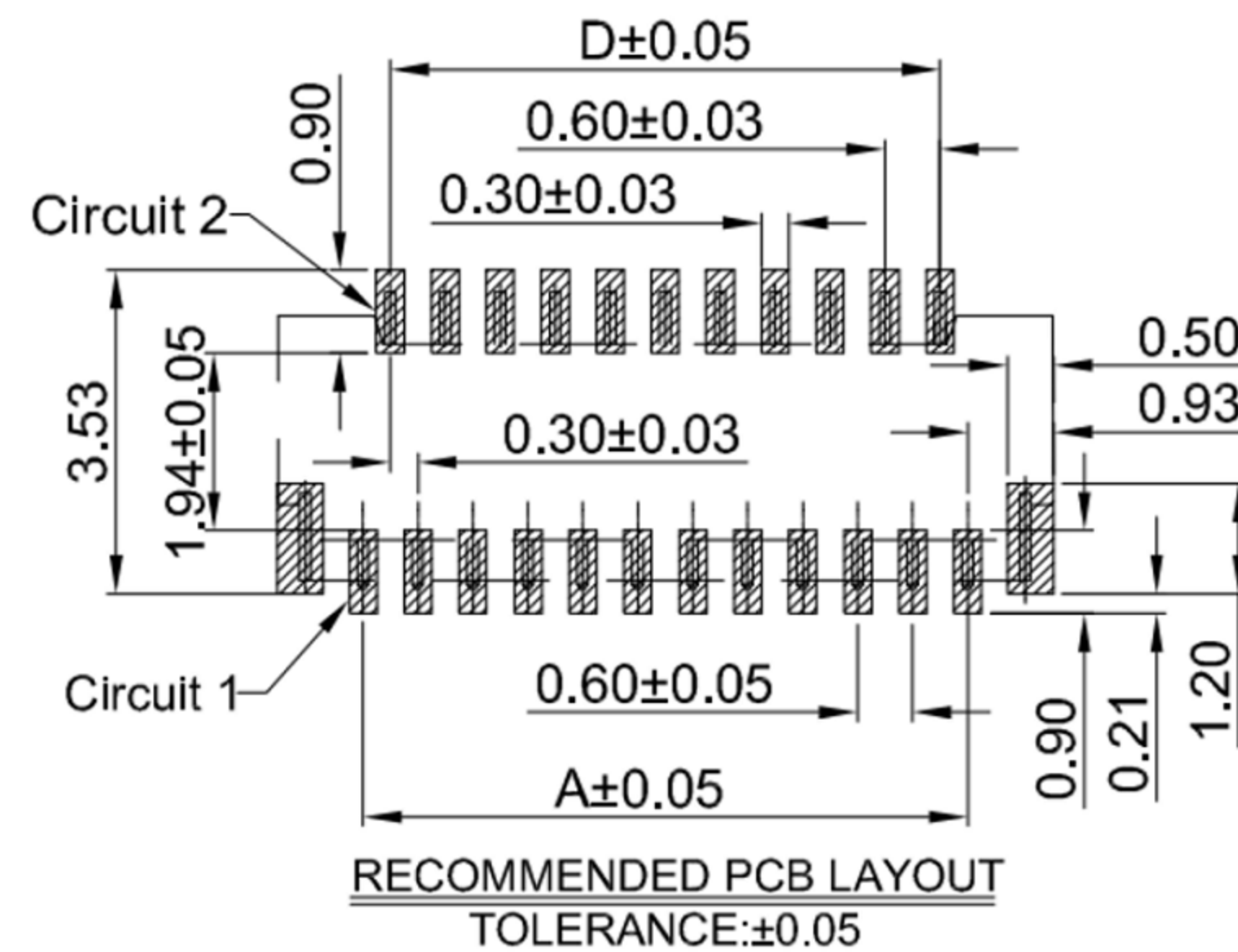
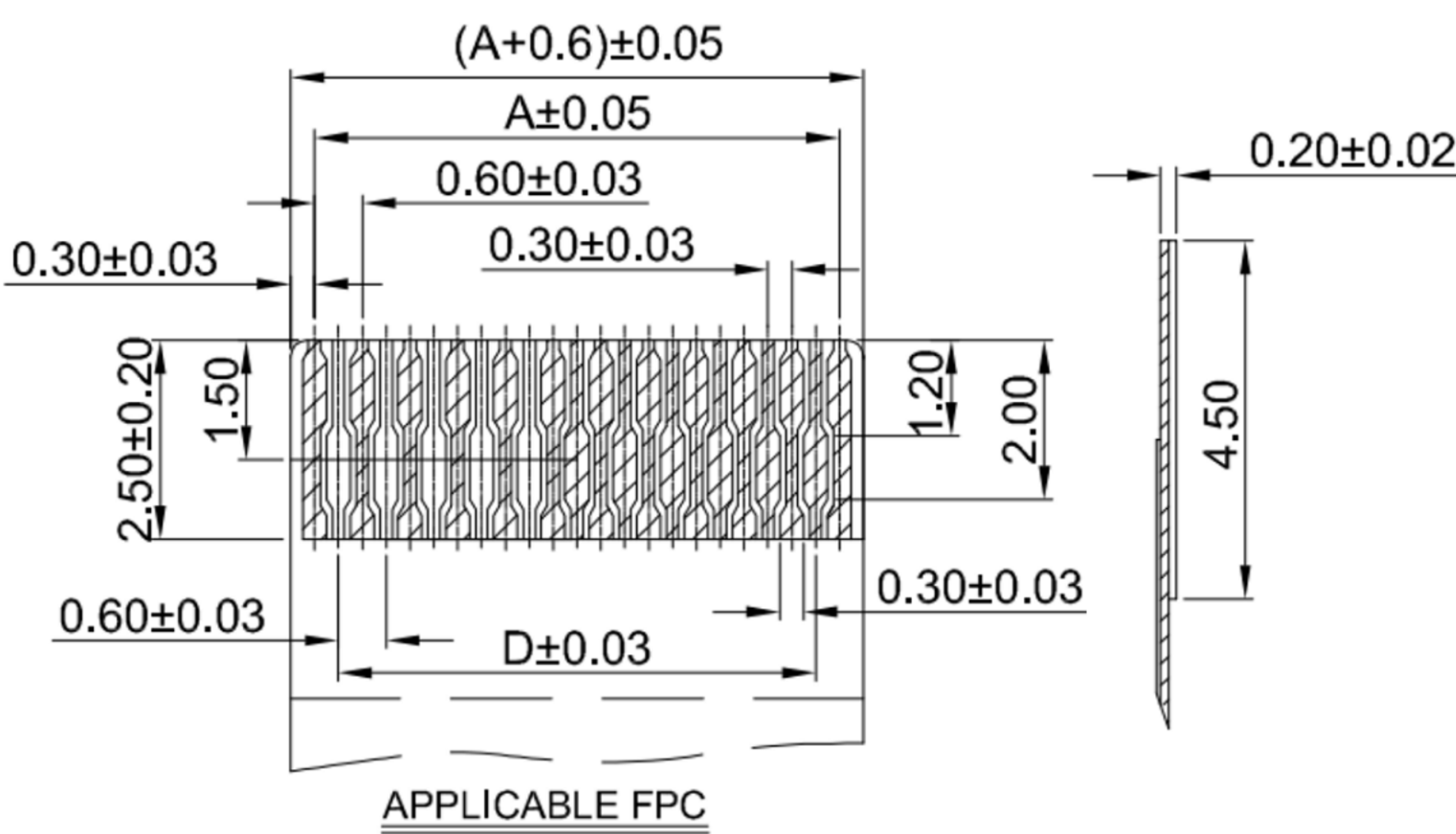
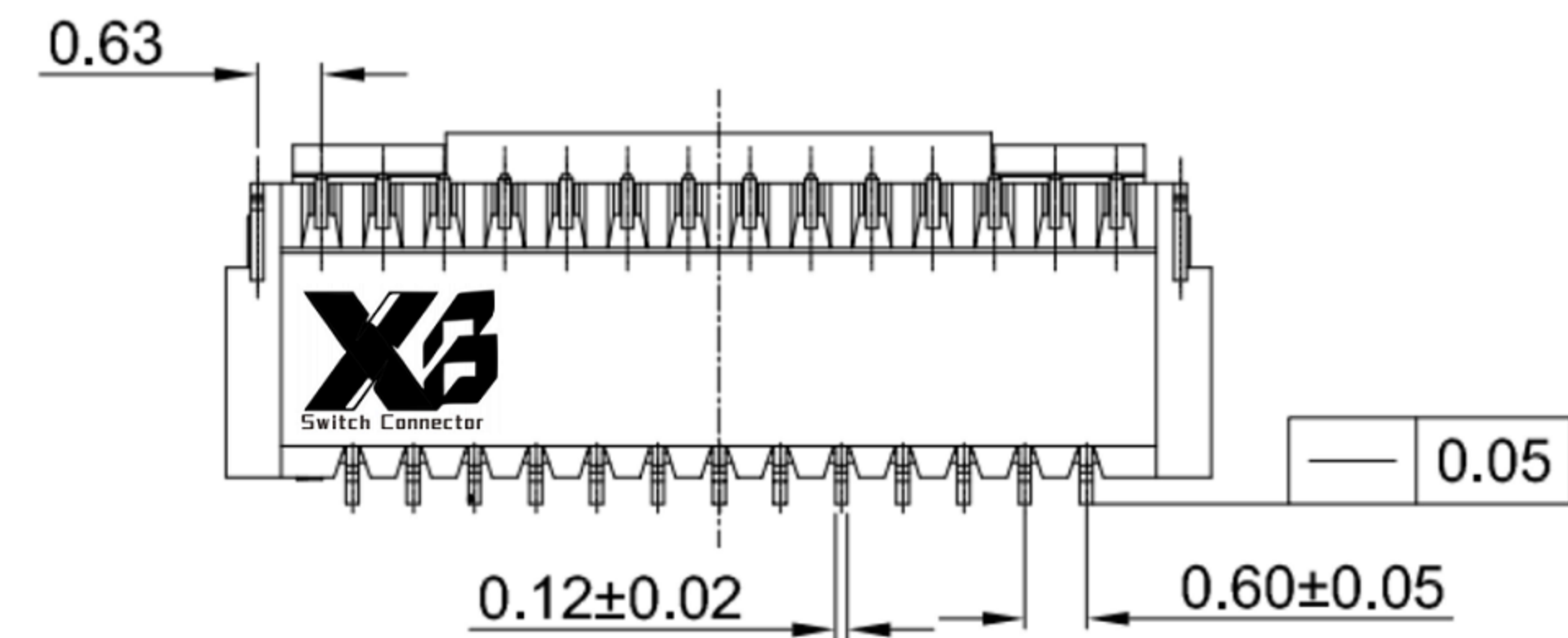
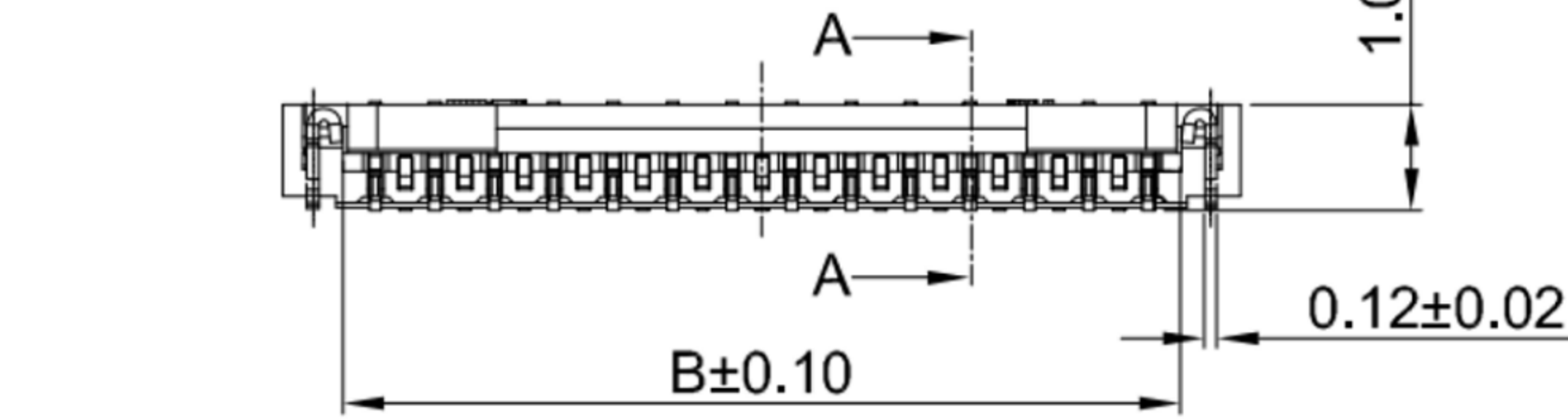
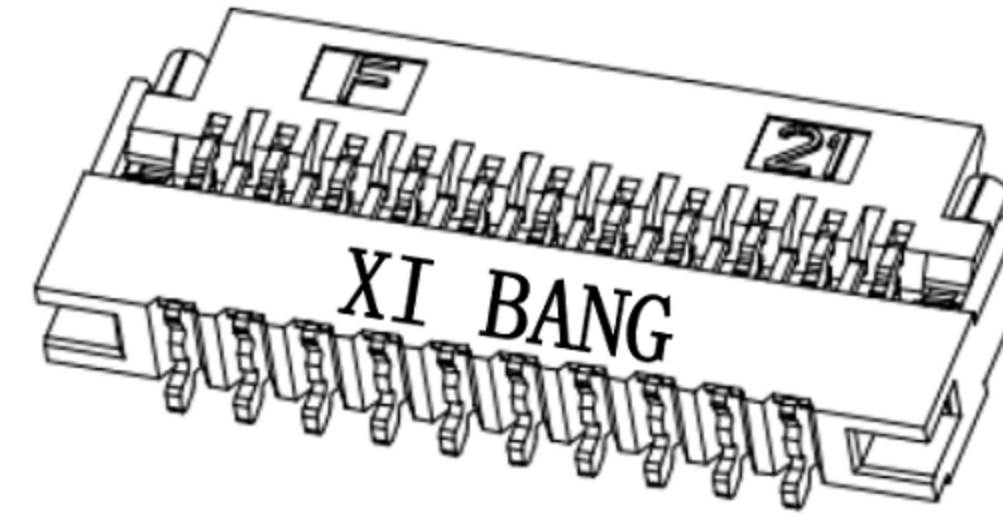
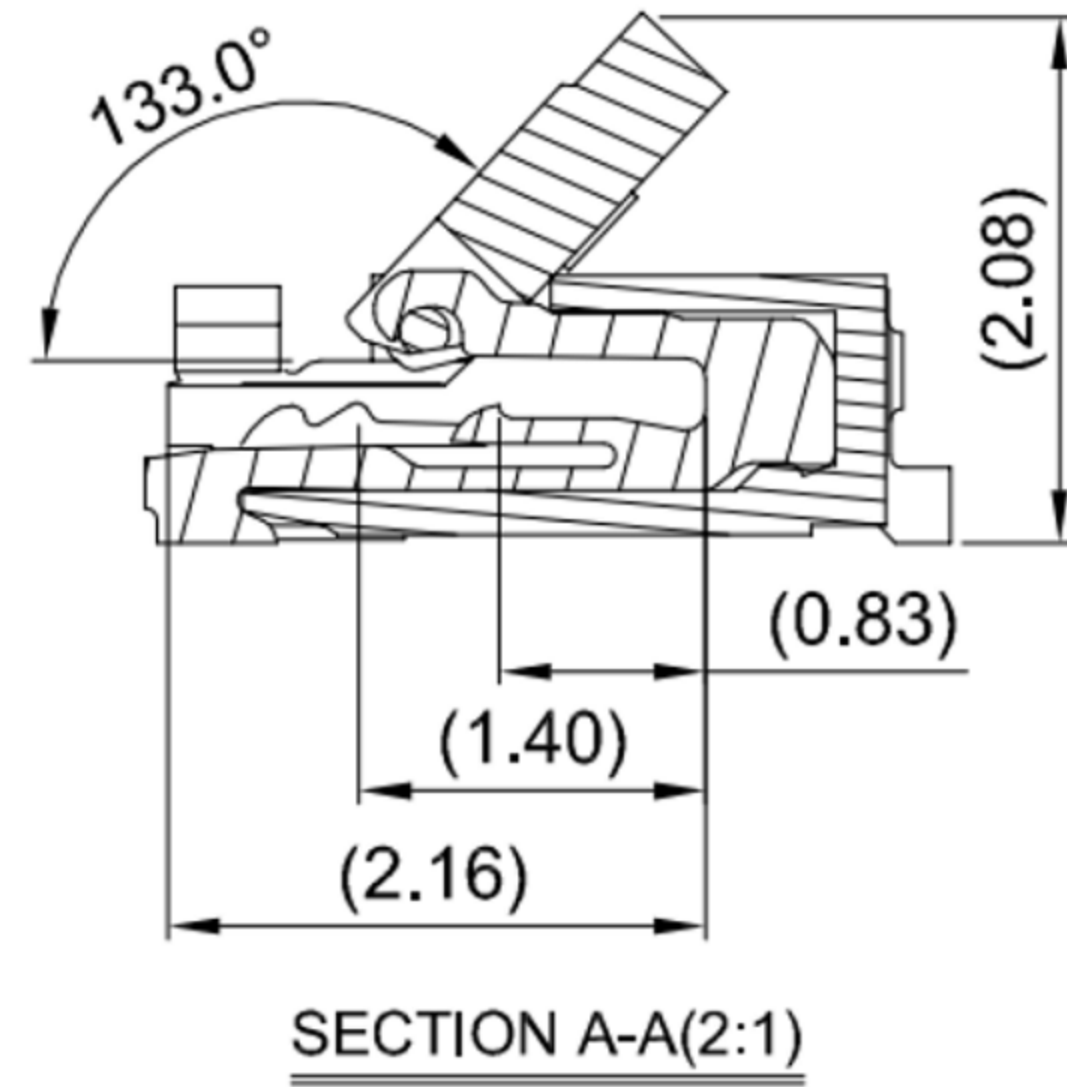
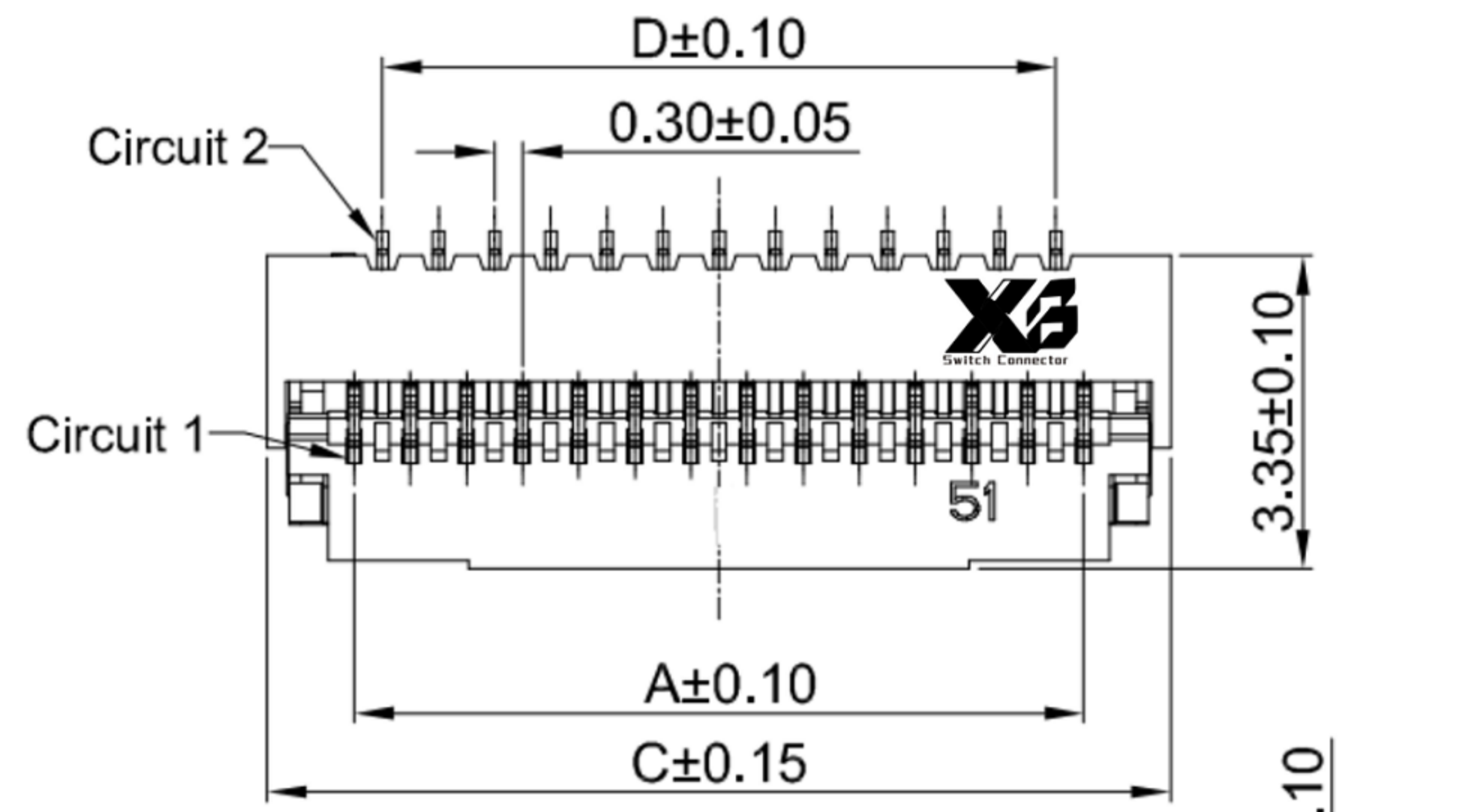
XB connector
Series No
Termipoint
 S-SMT
Angle
 R-90°
Terminal Plating
 01-G/F
Housing Colour
 B-Black
Pin Q' PY
 11~71
Height
 10-1.05mm

XB-FPC specifications:

1. Current rated: 0.2A AC/DC
2. Voltage rating: 30V AC/DC
3. Withstanding voltage: 250V AC
4. Contact resistance: 40mΩ max.
5. Insulation resistance: 50MΩ min
6. Durability cycle: 20Cycles
7. Removal force: 0.03kgf/Pin min
8. Operating temperature range: -55°C ~ +85°C

Ordering Information:

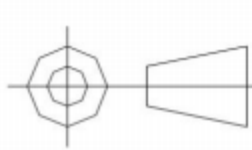
Circuit	Dimensions(mm)				Circuit	Dimensions(mm)			
	A	B	C	D		A	B	C	D
11	3.00	2.40	4.86	2.40	43	12.60	13.26	14.46	12.00
13	3.60	4.26	5.46	3.00	45	13.20	13.86	15.06	12.60
15	4.20	4.86	6.06	3.60	47	13.80	14.46	15.66	13.20
17	4.80	5.46	6.66	4.20	49	14.40	15.06	16.26	13.80
19	5.40	6.06	7.26	4.80	51	15.00	15.66	16.86	14.40
21	6.00	6.66	7.86	5.40	53	15.60	16.26	17.46	15.00
23	6.60	7.26	8.46	6.00	55	16.20	16.86	18.06	15.60
25	7.20	7.86	9.06	6.60	57	16.80	17.46	18.66	16.20
27	7.80	8.46	9.66	7.20	59	17.40	18.06	19.26	16.80
29	8.40	9.06	10.26	7.80	61	18.00	18.66	19.86	17.40
31	9.00	9.66	10.86	8.40	63	18.60	19.26	20.46	18.00
33	9.60	10.26	11.46	9.00	65	19.20	19.86	21.06	18.60
35	10.20	10.86	12.06	9.60	67	19.80	20.46	21.66	19.20
37	10.80	11.46	12.66	10.20	69	20.40	21.06	22.26	19.80
39	11.40	12.06	13.26	10.80	71	21.00	21.66	22.86	20.40
41	12.00	12.66	13.86	11.40	---	---	---	---	---



东莞市溪榜电子有限公司
 DONG GUAN XI BANG ELECTRONICS CO., LTD.

TOLERANCE UNLESS OTHERWISE STATED:
 Up to 5 ±0.2
 Above 5 ~ 15 ±0.3
 Above 15 ~ 30 ±0.4
 Above 30 ~ 50 ±0.5
 Angle ±0.3°

3RD. ANGEL'S



UNITS MM

DRAWN BY: Jack Lu
 CHECKED BY: Jacky Chen
 APPROVED BY: Tony Kao
 DATE: 03/10/22

MAT'L
 FINISH
 SCALE: 1:1
 SHEET NO.: 1 of 1
 TITLE: CONNECTOR
 MODLE: FPC 0.30mm Pitch 90° SMT Type H1.0mm Connector
 DWG NO.: **XB-FPC-0303SR10-XXXXX01**
 PART NO.

SIZE: A4
 VER: R1

ITEM NO.	DESCRIPTION	DRAWN	DATE
1	更新圖面	Jack	031022