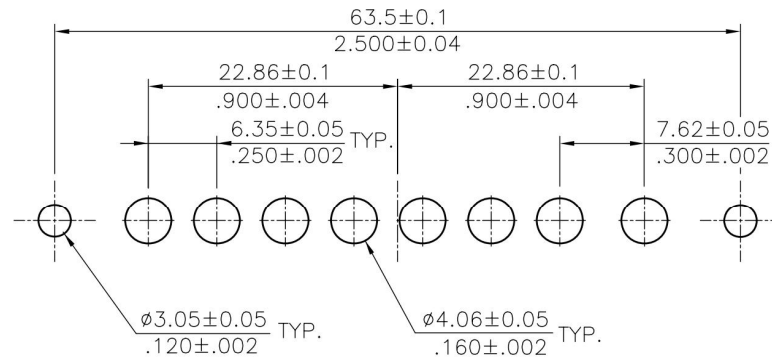
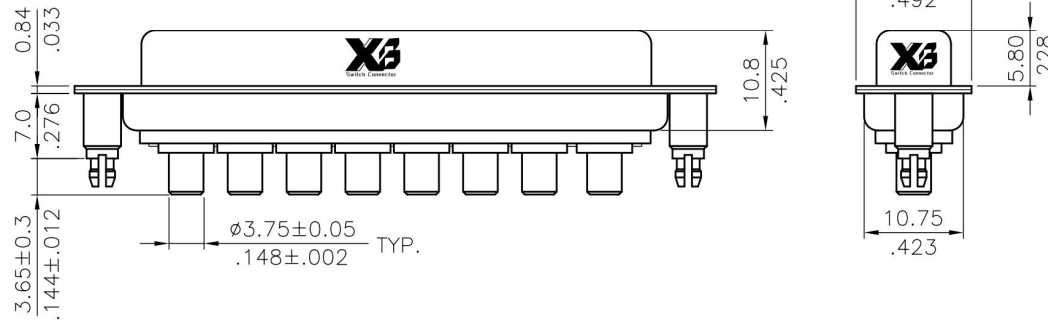


Material:  
 Insulator: Glass filled Polyester UL 94V-0  
 Shell: Steel, Tin plated as standard  
 High power Contact:  
 Brass with Gold plated

### Ordering Code

C8W8 S P V 3 0 1 40 D00  
 ① ② ③ ④ ⑤ ⑥ ⑦ ⑧ ⑨

- ① Series No.
- ② Connector Type: S= Receptacle
- ③ Contact type: P= High Power Contact
- ④ Contact tail style: V= Straight Dip type
- ⑤ High power contact plating:  
 2= Gold flash plated over Nickel  
 3= 15μ" Gold plated over Nickel  
 4= 30μ" Gold plated over Nickel  
 5= 50μ" Gold plated over Nickel
- ⑥ Singal contact plating:  
 0= Without singal contact
- ⑦ Insulator color: 1= Black, 6= Green
- ⑧ Performance: 40= 40A
- ⑨ Mounting Style:  
 000= With ø3.05mm holes on shell  
 B00= Riveted #4-40 UNC open nuts on front shell  
 C00= Riveted #4-40 UNC open nuts on rear shell  
 D00= Riveted #4-40 UNC ground stand-off on rear shell(standard)



Recommended P.C Board Layout

| Mounting Style |     |                   |     | RoHS Compliant    |     |                   |     |
|----------------|-----|-------------------|-----|-------------------|-----|-------------------|-----|
| Code           | 000 | Code              | B00 | Code              | C00 | Code              | D00 |
|                |     | DIM. L= 4.0mm<br> |     | DIM. L= 4.0mm<br> |     | DIM. L= 7.0mm<br> |     |

|     |      |      |                   |                   |                                      |  |   |
|-----|------|------|-------------------|-------------------|--------------------------------------|--|---|
| 4   |      |      |                   | DATE              | UNIT: mm / inch                      | TITLE: C8W8 40A HIGH POWER FEMALE D-SUB CONNECTOR (TOP ENTRY BOARD MOUNT TYPE) | <br>东莞市溪榜电子有限公司<br>DONG GUAN XI BANG ELECTRONICS CO., LTD.                      |
| 3   |      |      | DRAWN BY: Rita    | 10/18-01'         | TOLERANCE UNLESS OTHERWISE SPECIFIED | MATERIAL:  |   |
| 2   |      |      | ENGINEER: David   | 10/19-01'         | .X ± 0.30/.012    .X' ± 1'           | FINISH:  |   |
| 1   |      |      | CHECKED BY: David | 10/19-01'         | .XX ± 0.20/.008    .X' ±             |  |   |
| SYM | NAME | DATE | REVISIONS         | APPROVED BY: Alex | 10/19-01'                            | .XXX ± 0.10/.004    .XX' ±   | DRAWING NO. C8W810SB    PART NO. C8W8SPV*0*40*00<br>SCALE 2 / 1    SHEET 1 OF 1 |