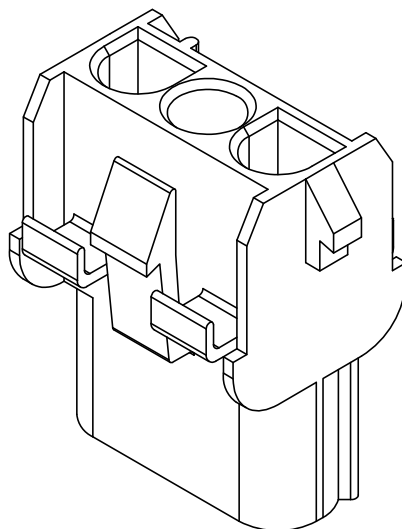
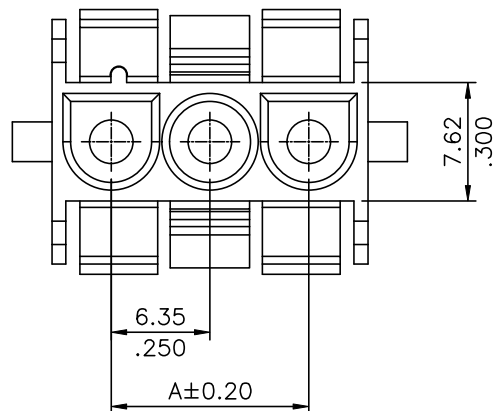


Material:

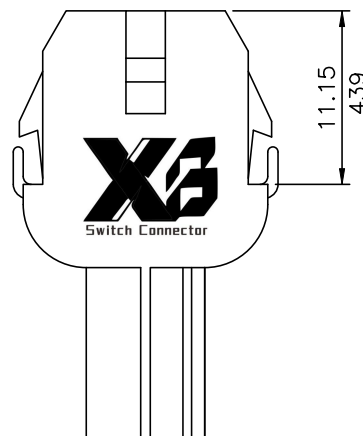
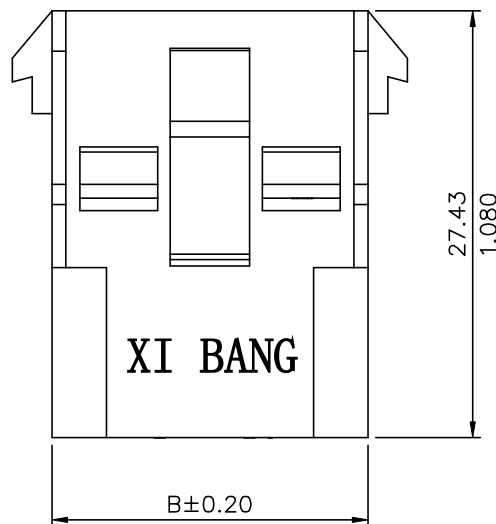
\* Insulation: Nylon 66 94V-0, Nature Color



Ordering Code:

CP08 \*\* P CS 0\*  
 ① ② ③ ④ ⑤

- ① Series No.
- ② No. of Circuits: 02~06, 08, 10
- ③ P= Plug Housing
- ④ Type: CS= Single Row
- ⑤ Other options: 00= Standard  
 OA= Glow wire available



Circuits	Dimension	
	A	B
2	6.35(.250)	13.97(.550)
3	12.70(.500)	20.32(.800)
4	19.05(.750)	26.67(1.050)
5	25.40(1.000)	33.02(1.300)
6	31.75(1.250)	39.37(1.550)
8	44.45(1.750)	52.07(2.050)
10	57.15(2.250)	64.77(2.550)

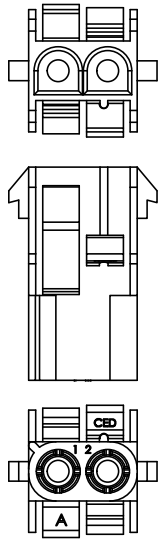
Tin-Lead Process      RoHS Compliant

SYM	NAME	DATE	REVISIONS	APPROVED BY:	Eisley	11/20-23'	UNIT: mm / inch	TITLE: 6.35mm PITCH Single Row Plug Housing
④							TOLERANCE UNLESS OTHERWISE SPECIFIED .X ± 0.30/.012    X* ± 1' .XX ± 0.20/.008    .X* ± .XXX ± 0.10/.004    .XX* ±	MATERIAL:  FINISH:
③				DRAWN BY:	Eric	11/20-23'		
②				ENGINEER:	Eric	11/20-23'		
①				CHECKED BY:	Eisley	11/20-23'		

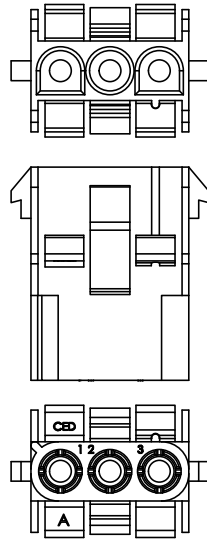
**XB** 东莞市溪榜电子有限公司  
 Switch Connector DONG GUAN XI BANG ELECTRONI CS CO., LTD.

DRAWING NO.	CP0819SA	PART NO.	CP08**PCSO*
SCALE	2 / 1	SHEET	1 OF 2

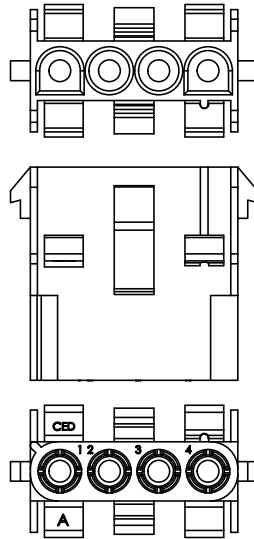
02 PIN



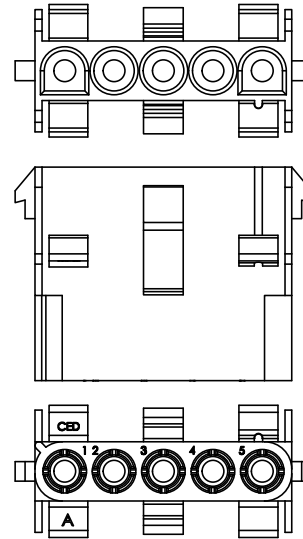
03 PIN



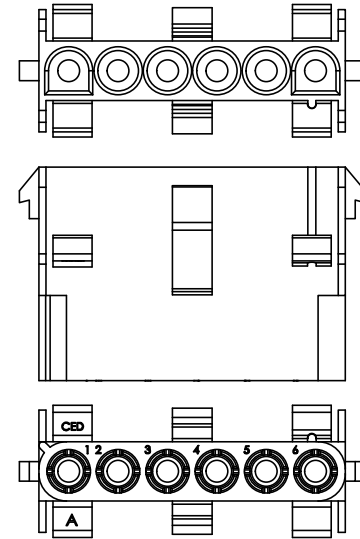
04 PIN



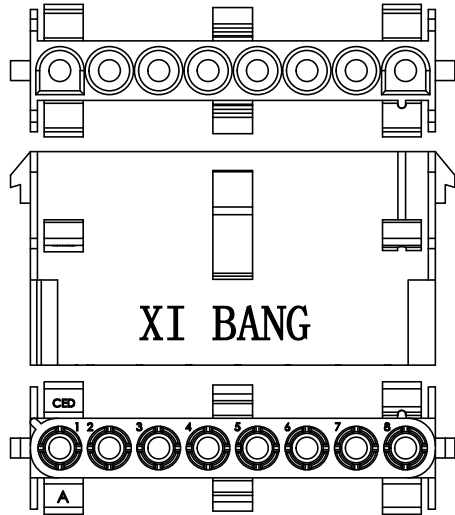
05 PIN



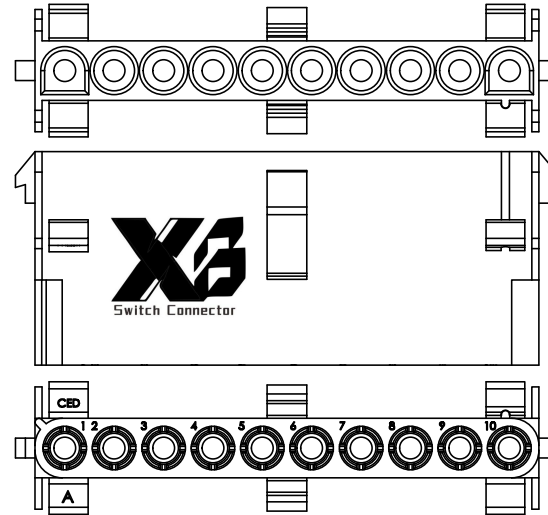
06 PIN




08 PIN



10 PIN



Tin-Lead Process  
RoHS Compliant

4					DATE	UNIT: mm / inch	TITLE: 6.35mm PITCH Single Row Plug Housing	 <b>东莞市溪榜电子有限公司</b> DONG GUAN XI BANG ELECTRONI CS CO., LTD.	
3				DRAWN BY: Eric	11/20-23'	TOLERANCE UNLESS OTHERWISE SPECIFIED	MATERIAL:		
2				ENGINEER: Eric	11/20-23'	.X ± 0.30/012    .X' ± 1"	FINISH:		
1				CHECKED BY: Eisley	11/20-23'	.XX ± 0.20/008    .X' ±			
SYM	NAME	DATE	REVISIONS	APPROVED BY: Eisley	11/20-23'	.XXX ± 0.10/004    .XX' ±	DRAWING NO. CP0819SA	PART NO. CP08**PCSO*	
							SCALE	2 / 1	SHEET 2 OF 2