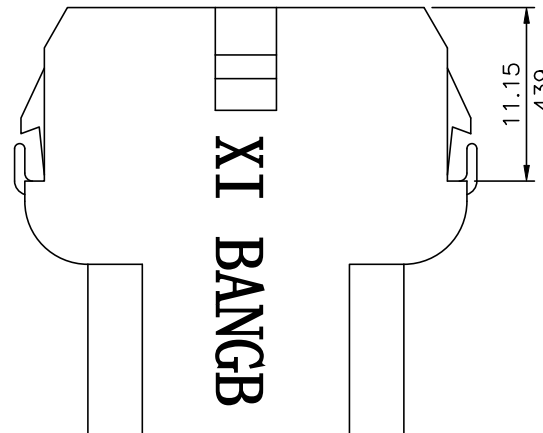
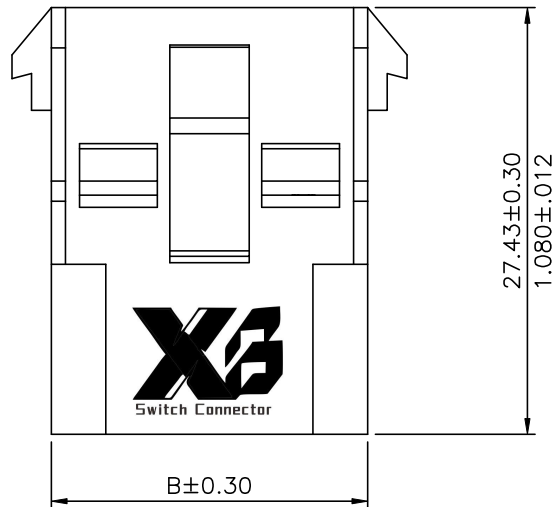
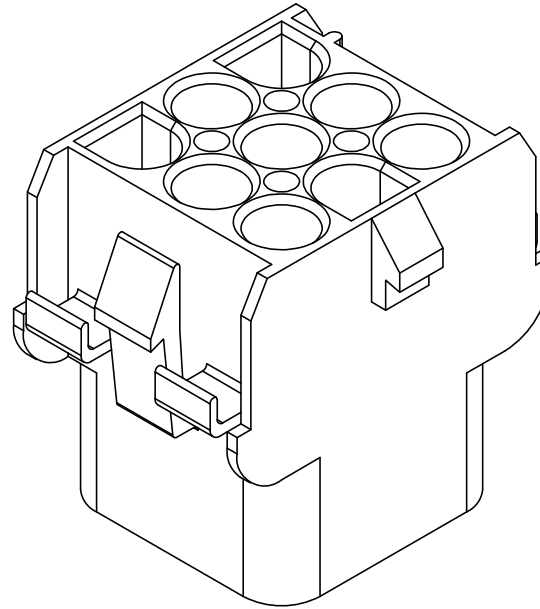
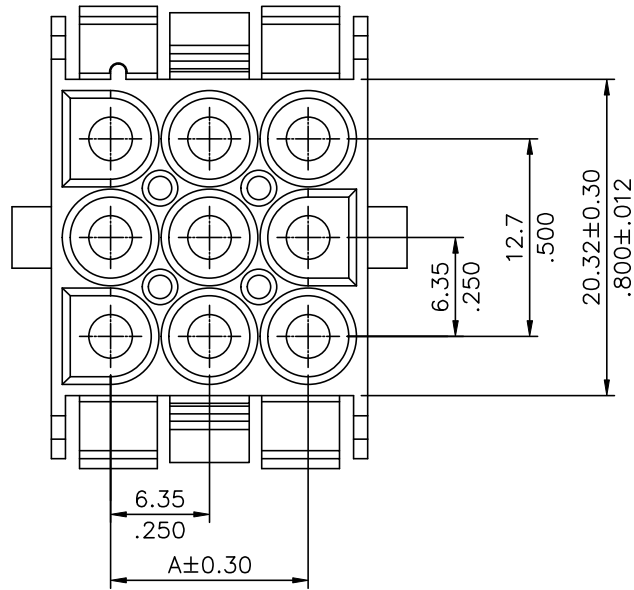


Material:

\* Insulation: Nylon 66 94V-0, Nature Color



Ordering Code:

CP08 \*\* P CT 0\*  
 ① ② ③ ④ ⑤

- ① Series No.
- ② No. of Circuits: 06, 09, 12, 15
- ③ P= Plug Housing
- ④ Type: CT= Triple Row
- ⑤ Other options:  
 00= Standard  
 0A= Glow wire available

Circuits	Dimension	
	A	B
6	6.35(.250)	13.97(.550)
9	12.70(.500)	20.32(.800)
12	19.05(.750)	26.67(1.050)
15	25.40(1.000)	33.02(1.300)

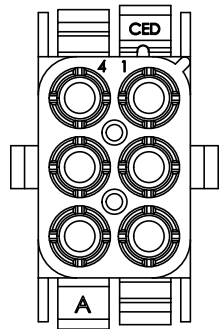
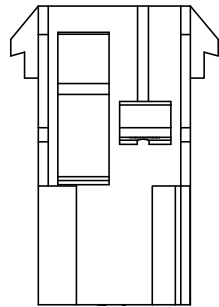
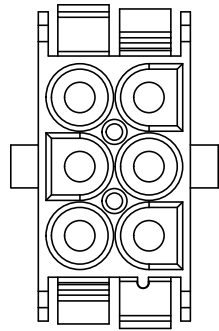
Tin-Lead Process      RoHS Compliant

④					DATE	UNIT: mm / inch	TITLE: 6.35mm PITCH Triple Row Plug Housing
③				DRAWN BY:	Eric	11/20-23'	TOLERANCE UNLESS OTHERWISE SPECIFIED
②				ENGINEER:	Eric	11/20-23'	
①				CHECKED BY:	Eisley	11/20-23'	MATERIAL:
SYM	NAME	DATE	REVISIONS	APPROVED BY:	Eisley	11/20-23'	FINISH:
							.X ± 0.30/.012    X' ± 1"
							.XX ± 0.20/.008    .X' ±
							.XXX ± 0.10/.004    .XX' ±

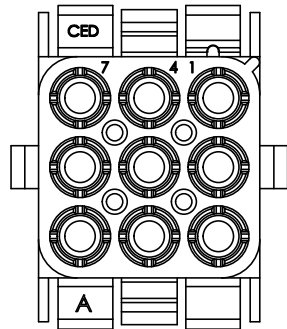
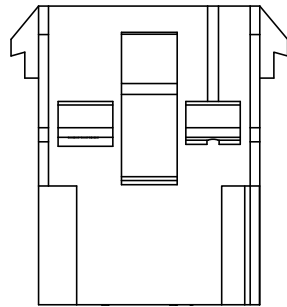
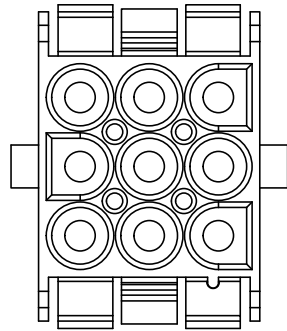
**XIB** Switch Connector **东莞市溪榜电子有限公司**  
 DONG GUAN XI BANG ELECTRONI CS CO., LTD.

DRAWING NO.	CP0818SA	PART NO.	CP08**PCTO*
SCALE	2 / 1	SHEET	1 OF 2

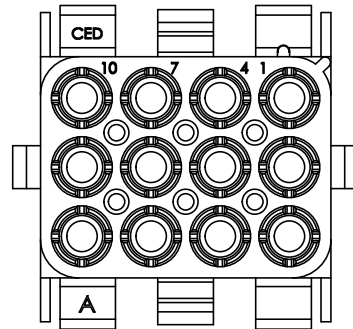
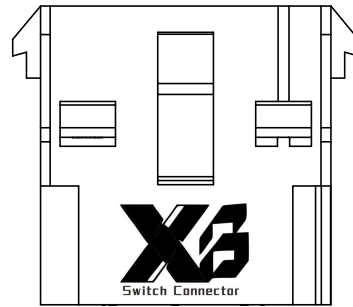
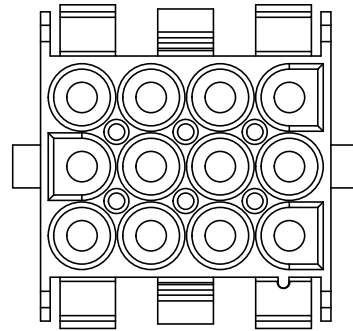
06 PIN



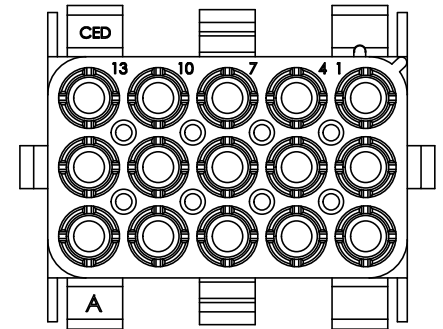
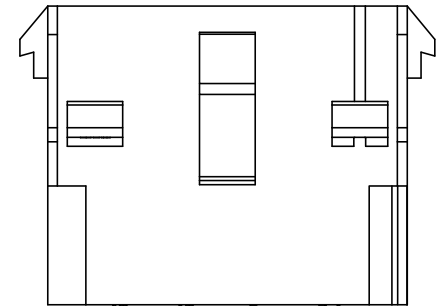
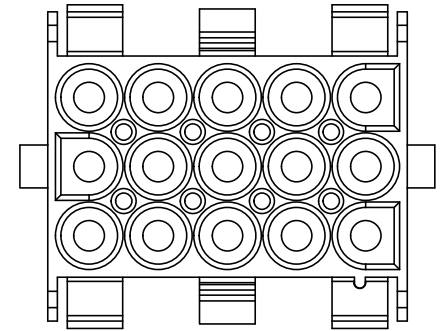
09 PIN



12 PIN



15 PIN



Tin-Lead Process      RoHS Compliant

   					DATE	UNIT: mm / inch	TITLE: 6.35mm PITCH Triple Row Plug Housing	<b>东莞市溪榜电子有限公司</b> DONG GUAN XI BANG ELECTRONICS CO., LTD.	
				DRAWN BY: Eric	11/20-23'	TOLERANCE UNLESS OTHERWISE SPECIFIED	MATERIAL:		
				ENGINEER: Eric	11/20-23'	.X ± 0.30/.012    .X* ± 1'	FINISH:		
				CHECKED BY: Eisley	11/20-23'	.XX ± 0.20/.008    .X* ±			
SYM	NAME	DATE	REVISIONS	APPROVED BY: Eisley	11/20-23'	.XXX ± 0.10/.004    .XX* ±	DRAWING NO. CP0818SA	PART NO. CP08**PCTO*	
								SCALE 2 / 1	SHEET 2 OF 2