

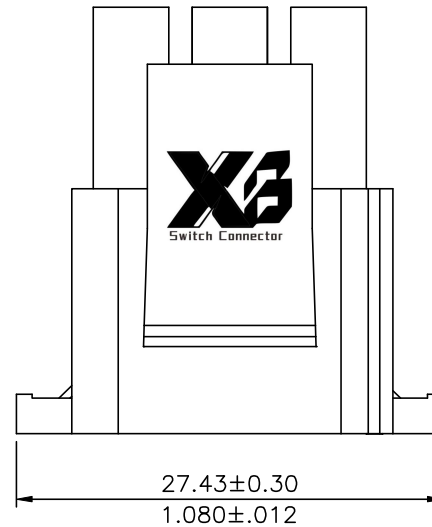
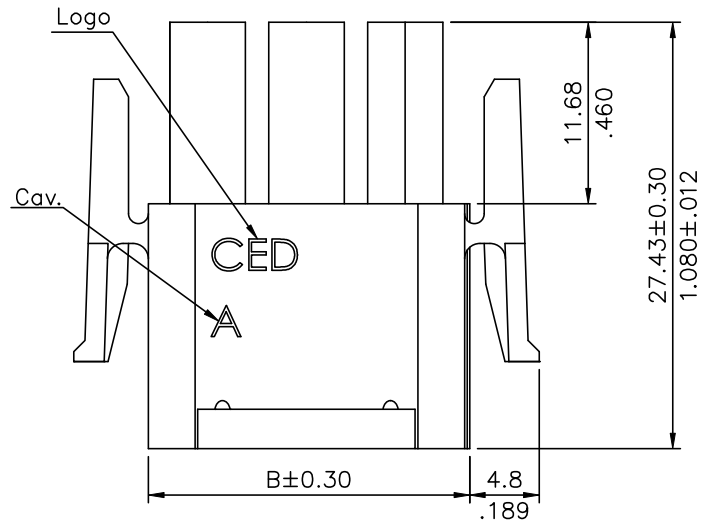
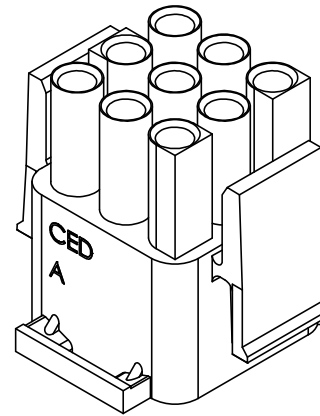
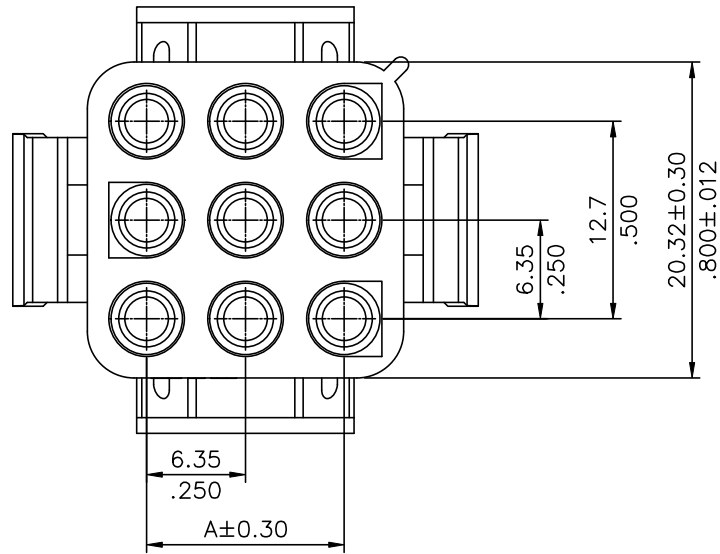
Material:

* Insulation: Nylon 66 94V-0, Nature Color

Ordering Code:

CP08 ** S CT 0*
 ① ② ③ ④ ⑤

- ① Series No.
- ② No. of Circuits: 06, 09, 12, 15
- ③ S= Receptacle Housing
- ④ Type: CT= Triple Row
- ⑤ Other options:
 00= Standard
 0A= Glow wire available



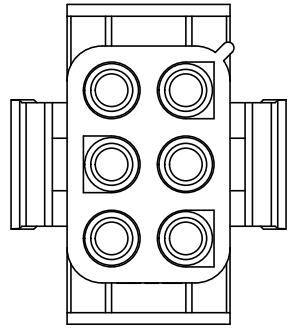
Circuits	Dimension	
	A	B
6	6.35(.250)	13.97(.550)
9	12.70(.500)	20.32(.800)
12	19.05(.750)	26.67(1.050)
15	25.40(1.000)	33.02(1.300)

Tin-Lead Process RoHS Compliant

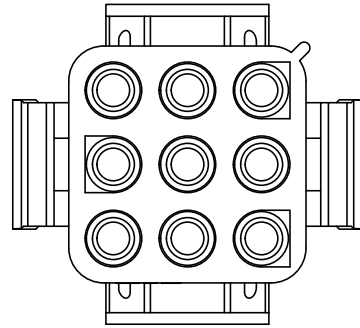
④					DATE	UNIT: mm / inch	TITLE: 6.35mm PITCH
③				DRAWN BY: Eric	11/20-23'	TOLERANCE UNLESS OTHERWISE SPECIFIED	Treple Row Receptacle Housing
②				ENGINEER: Eric	11/20-23'		MATERIAL:
①				CHECKED BY: Eisley	11/20-23'	.X ± 0.30/.012 X.* ± 1'	DRAWING NO. CP0817SA PART NO. CP08**SCTO*
SYM	NAME	DATE	REVISIONS	APPROVED BY: Eisley	11/20-23'	.XX ± 0.20/.008 .X.* ±	
						.XXX ± 0.10/.004 .XX.* ±	SHEET 1 OF 2

XB 东莞市溪榜电子有限公司
 Switch Connector DONG GUAN XI BANG ELECTRONI CS CO., LTD.

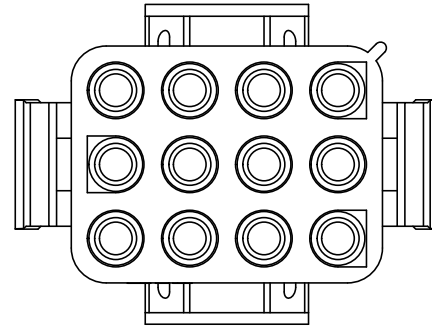
06 PIN



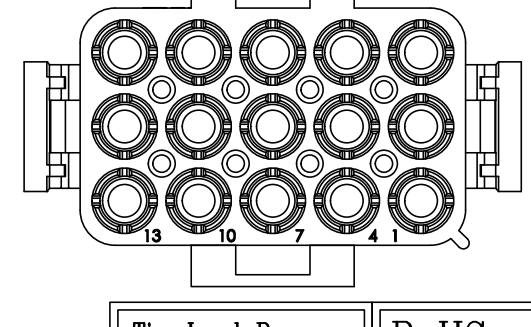
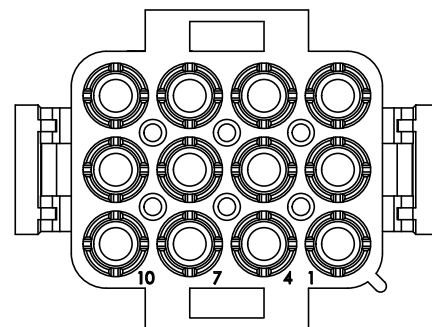
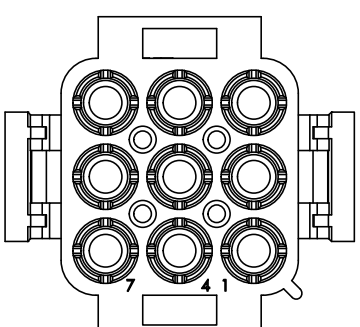
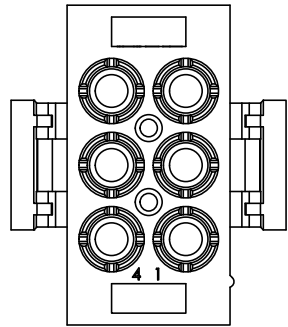
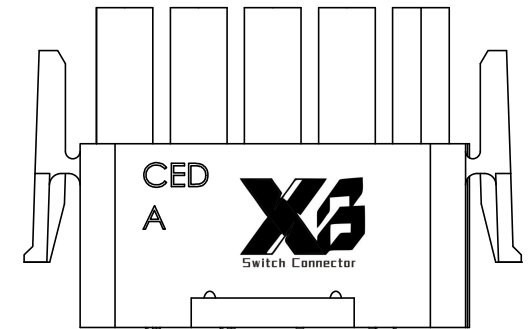
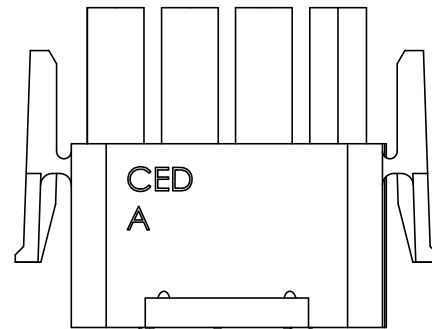
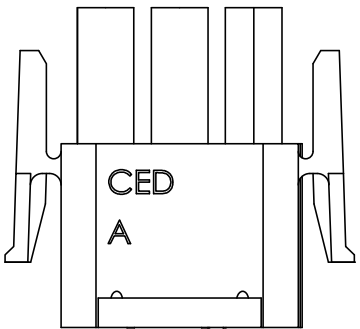
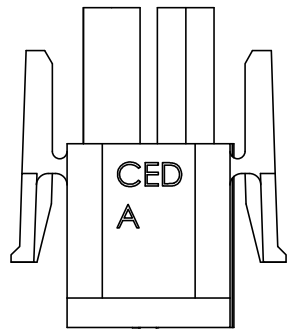
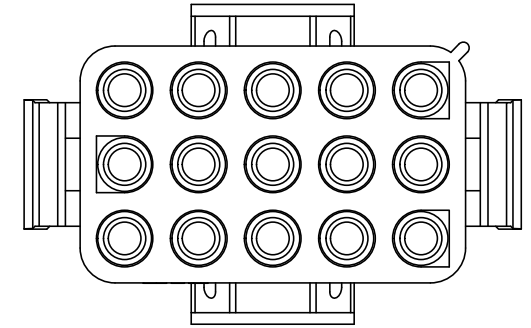
09 PIN




12 PIN



15 PIN



Tin-Lead Process RoHS Compliant

4					DATE	UNIT: mm / inch	TITLE: 6.35mm PITCH	 东莞市溪榜电子有限公司 DONG GUAN XI BANG ELECTRONI CS CO., LTD.	
3				DRAWN BY: Eric	11/20-23'	TOLERANCE UNLESS OTHERWISE SPECIFIED	Treple Row Receptacle Housing		
2				ENGINEER: Eric	11/20-23'	.X ± 0.30/012 .X* ± 1'	MATERIAL:		
1				CHECKED BY: Eislely	11/20-23'	.XX ± 0.20/008 .X* ±	FINISH:		
SYM	NAME	DATE	REVISIONS	APPROVED BY: Eislely	11/20-23'	.XXX ± 0.10/004 .XX* ±		DRAWING NO. CP0817SA	PART NO. CP08**SCT0*
								SCALE 2 / 1	SHEET 2 OF 2