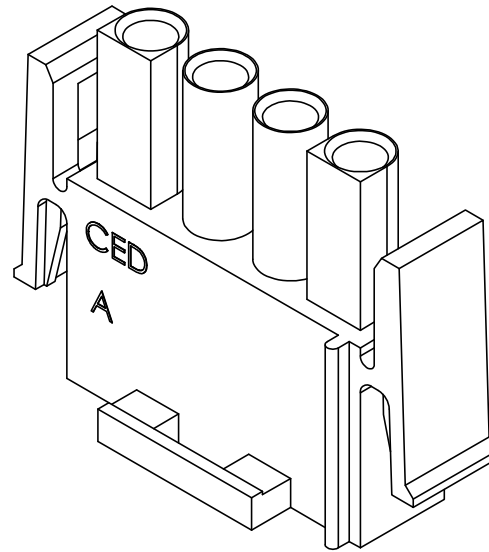
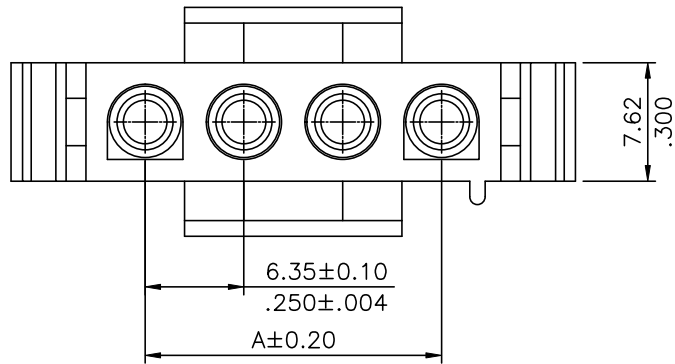


Material:

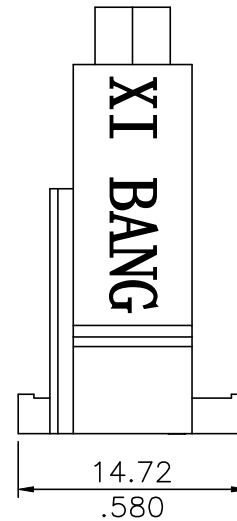
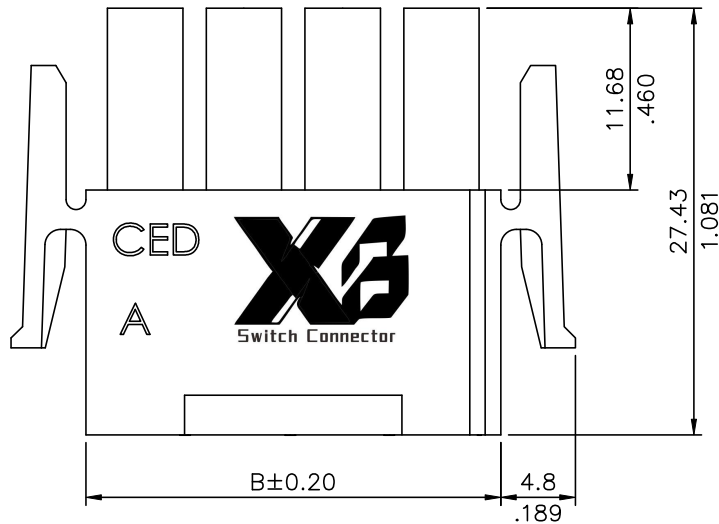
* Insulation: Nylon 66 94V-0, Nature Color



Ordering Code:


CP08 ** S CS 0*
 ① ② ③ ④ ⑤

- ① Series No.
- ② No. of Circuits: 02~06, 08, 10
- ③ S= Receptacle Housing
- ④ Type: CS= Single Row
- ⑤ Other options:
 00= Standard
 0A= Glow wire available



Circuits	Dimension	
	A	B
2	6.35(.250)	13.97(.550)
3	12.70(.500)	20.32(.800)
4	19.05(.750)	26.67(1.050)
5	25.40(1.000)	33.02(1.300)
6	31.75(1.250)	39.37(1.550)
8	44.45(1.750)	52.07(2.050)
10	57.15(2.250)	64.77(2.550)

Tin-Lead Process RoHS Compliant

④					DATE	UNIT: mm / inch	TITLE: 6.35mm PITCH Single Row Housing	 东莞市溪榜电子有限公司 DONG GUAN XI BANG ELECTRONI CS CO., LTD.
③				DRAWN BY: Eric	11/20-23'	TOLERANCE UNLESS OTHERWISE SPECIFIED	MATERIAL:	
②				ENGINEER: Eric	11/20-23'	.X ± 0.30/.012 X' ± 1'	FINISH:	
①				CHECKED BY: Eisley	11/20-23'	.XX ± 0.20/.008 .X' ±		
SYM	NAME	DATE	REVISIONS	APPROVED BY: Eisley	11/20-23'	.XXX ± 0.10/.004 .XX' ±	DRAWING NO. CP0814SA	PART NO. CP08**SCS0*
							SCALE 2 / 1	SHEET 1 OF 2

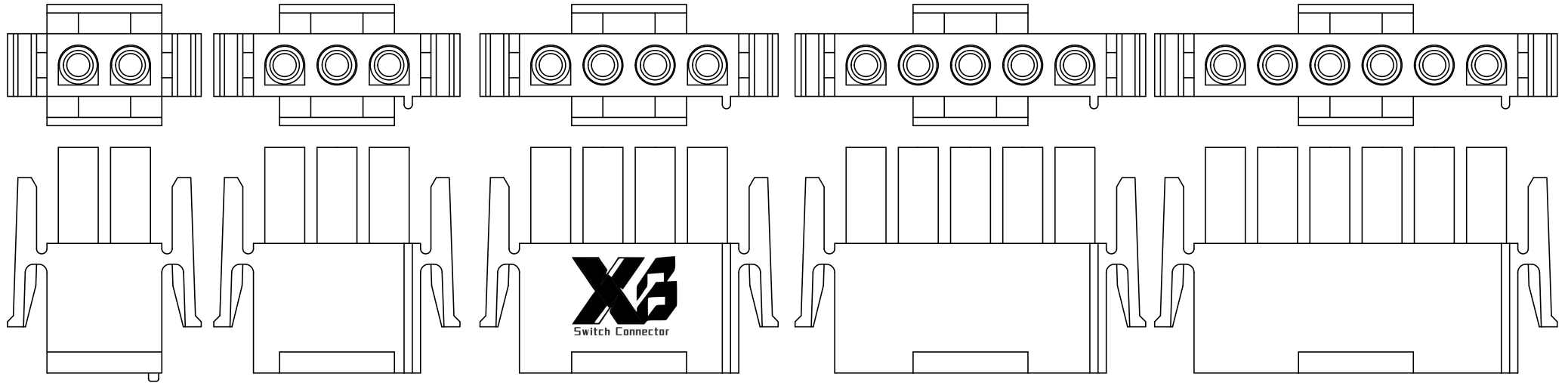
02 PIN

03 PIN

04 PIN

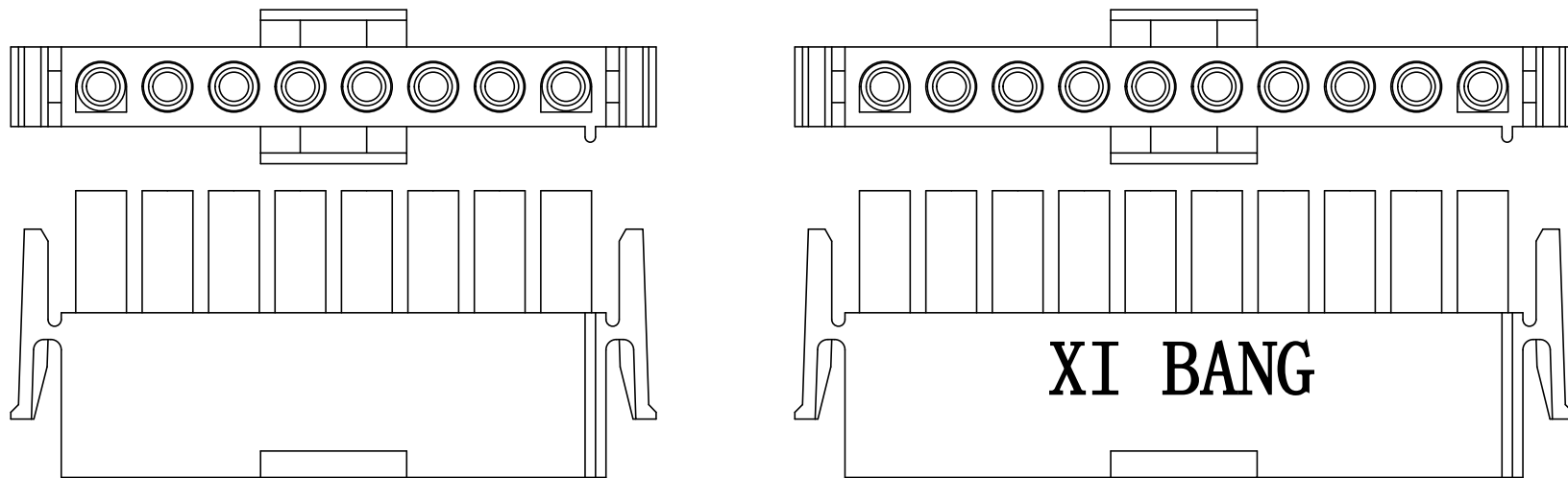
05 PIN

06 PIN



08 PIN

10 PIN



Tin-Lead Process RoHS Compliant

<table border="1"> <tr> <td>4</td> <td></td> <td></td> <td></td> <td></td> <td>DATE</td> <td>UNIT: mm / inch</td> <td rowspan="2">TITLE: 6.35mm PITCH Single Row Housing</td> </tr> <tr> <td>3</td> <td></td> <td></td> <td></td> <td>DRAWN BY: Eric</td> <td>11/20-23'</td> <td rowspan="3">MATERIAL:</td> </tr> <tr> <td>2</td> <td></td> <td></td> <td></td> <td>ENGINEER: Eric</td> <td>11/20-23'</td> <td rowspan="2">FINISH:</td> </tr> <tr> <td>1</td> <td></td> <td></td> <td></td> <td>CHECKED BY: Eisley</td> <td>11/20-23'</td> <td></td> </tr> <tr> <td>SYM</td> <td>NAME</td> <td>DATE</td> <td>REVISIONS</td> <td>APPROVED BY: Eisley</td> <td>11/20-23'</td> <td></td> <td></td> </tr> </table>	4					DATE	UNIT: mm / inch	TITLE: 6.35mm PITCH Single Row Housing	3				DRAWN BY: Eric	11/20-23'	MATERIAL:	2				ENGINEER: Eric	11/20-23'	FINISH:	1				CHECKED BY: Eisley	11/20-23'		SYM	NAME	DATE	REVISIONS	APPROVED BY: Eisley	11/20-23'			TOLERANCE UNLESS OTHERWISE SPECIFIED .X ± 0.30/.012 X* ± 1" .XX ± 0.20/.008 .X* ± .XXX ± 0.10/.004 .XX* ±		DRAWING NO. CP0814SA PART NO. CP08**SCS0* SCALE 2 / 1 SHEET 2 OF 2	
	4					DATE	UNIT: mm / inch		TITLE: 6.35mm PITCH Single Row Housing																																
	3				DRAWN BY: Eric	11/20-23'	MATERIAL:																																		
	2				ENGINEER: Eric	11/20-23'		FINISH:																																	
	1				CHECKED BY: Eisley	11/20-23'																																			
SYM	NAME	DATE	REVISIONS	APPROVED BY: Eisley	11/20-23'																																				

XB 东莞市溪榜电子有限公司
DONG GUAN XI BANG ELECTRONICS CO., LTD.