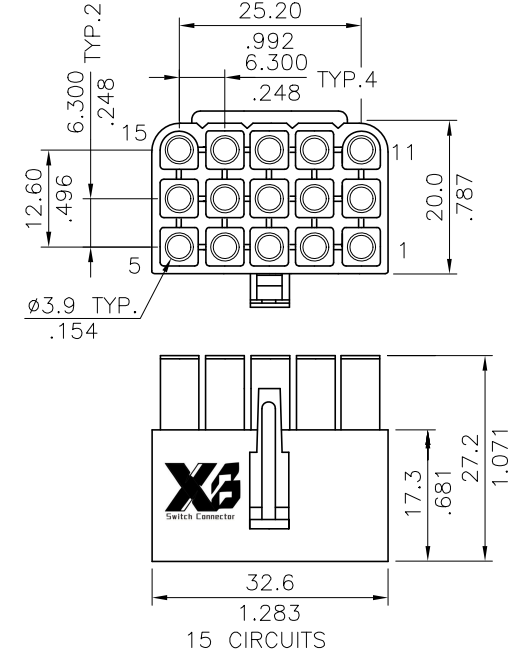
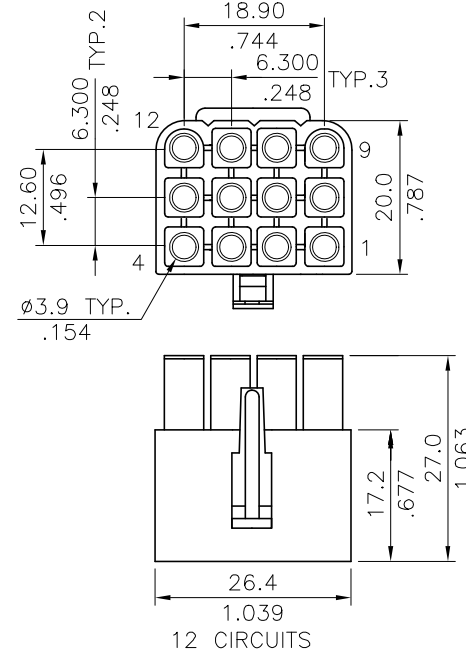
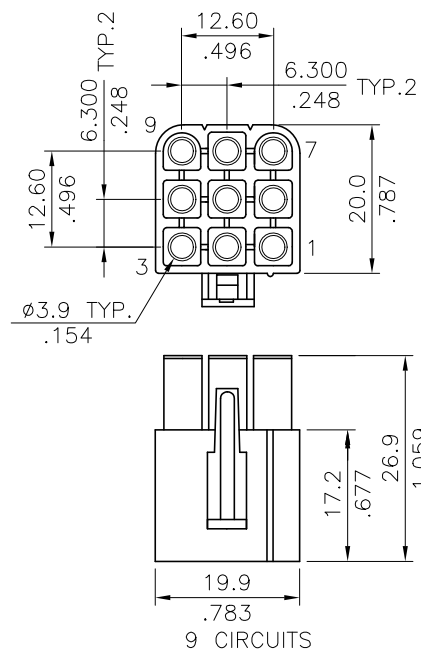
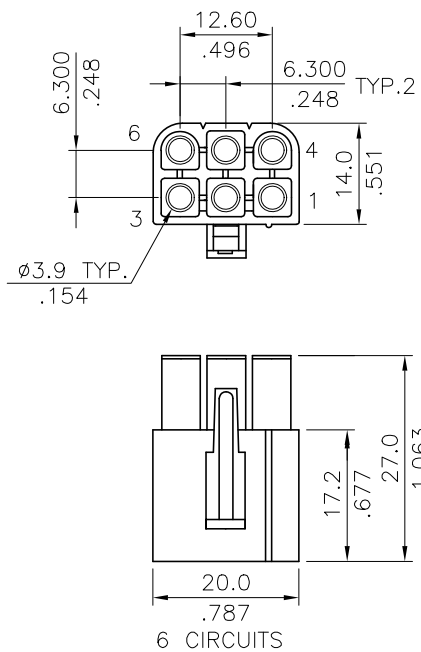
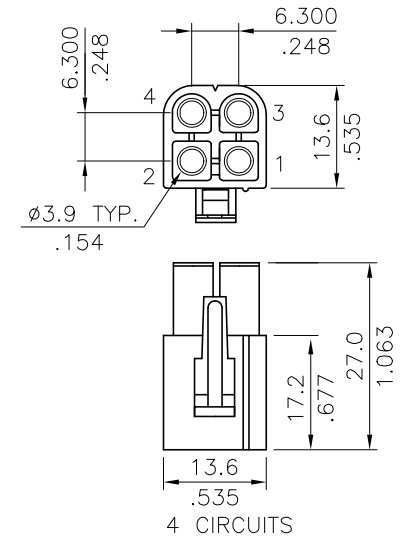
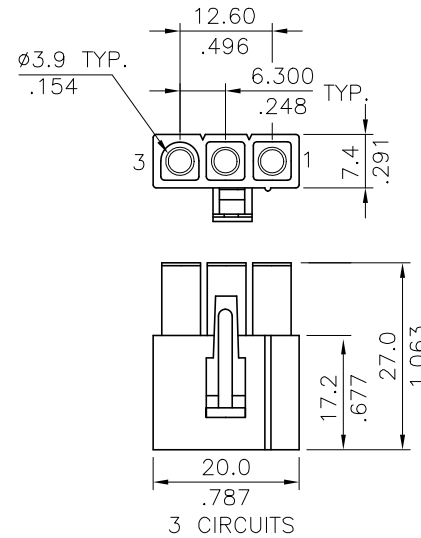
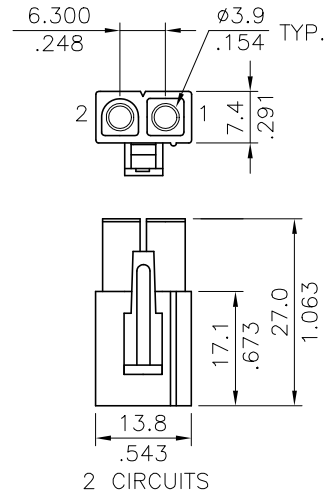
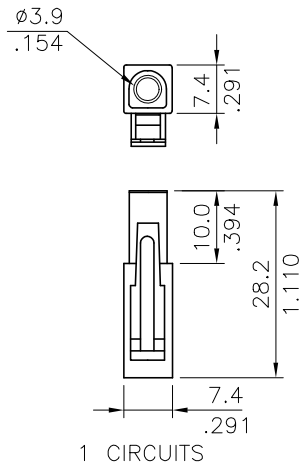



* Material: Nylon 66 UL 94V-2
Color Nature



4					DATE	UNIT: mm / inch	TITLE: WIRE TO WIRE POWER CONNECTOR	 东莞市溪榜电子有限公司 DONG GUAN XI BANG ELECTRONICS CO., LTD.
3				DRAWN BY: Una	11/11-10'	TOLERANCE UNLESS OTHERWISE SPECIFIED	MATERIAL:	
2	Una	11/11-10'	ECN10365	ENGINEER: Clark	11/17-10'	.X ± 0.38 / .015 X' ± 1"	FINISH:	DRAWING NO. CP3102SD PART NO. CP31**S000
1	SUN	4/22/04'	ECR04037-0/ECN04164	CHECKED BY: David	11/17-10'	.XX ± 0.25 / .010 .X' ±		SCALE 1 / 1 SHEET 1 OF 1
SYM	NAME	DATE	REVISIONS	APPROVED BY: David	11/17-10'	.XXX ± 0.15 / .006 .XX' ±		