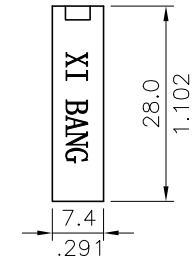
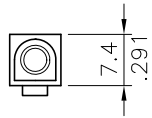
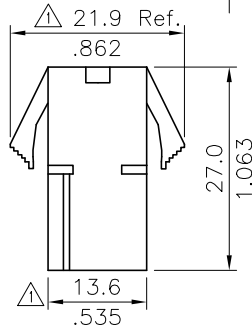
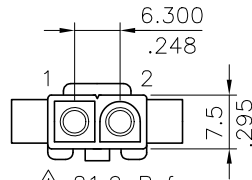


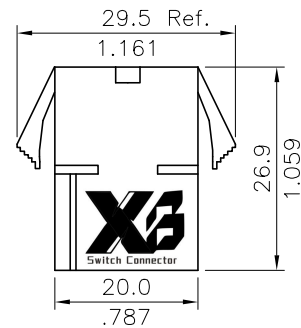
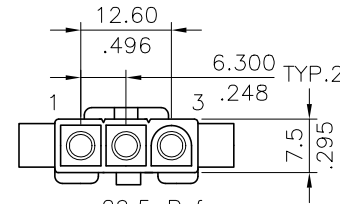
* Material: Nylon 66 UL 94V-2
Color Nature



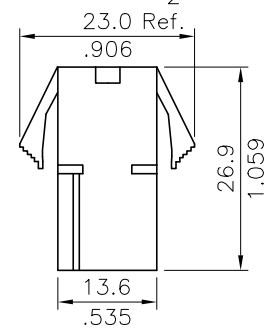
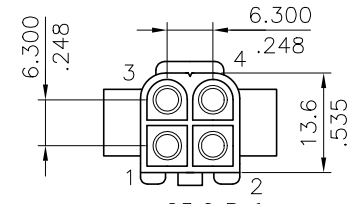
1 CIRCUITS



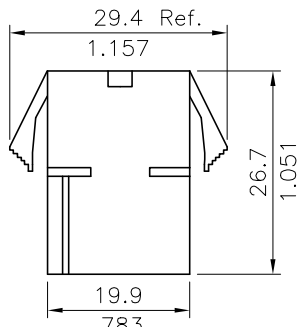
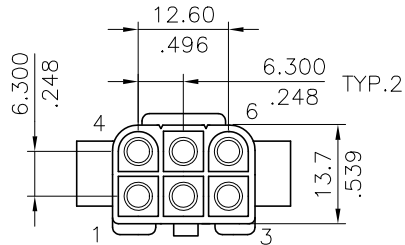
2 CIRCUITS



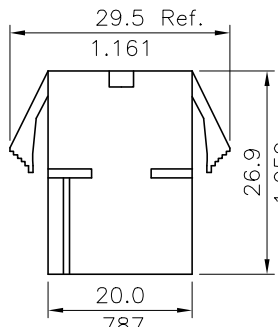
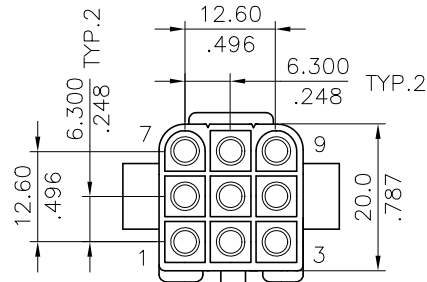
3 CIRCUITS



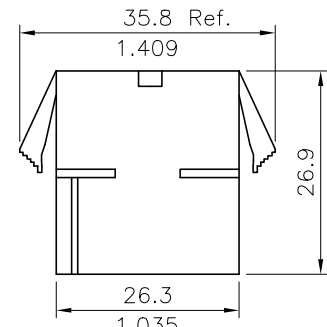
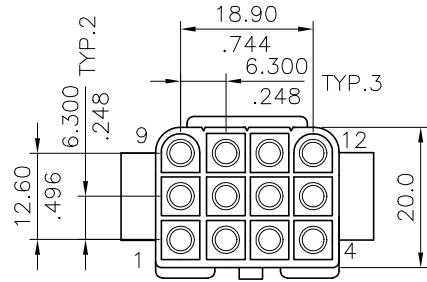
4 CIRCUITS



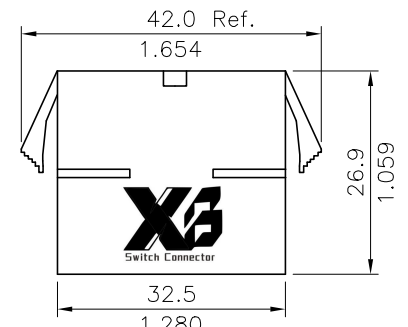
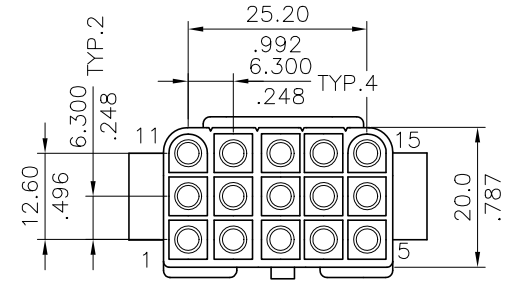
6 CIRCUITS




9 CIRCUITS



12 CIRCUITS



15 CIRCUITS

△4					DATE	UNIT: mm / inch	TITLE: WIRE TO WIRE POWER CONNECTOR	 东莞市溪榜电子有限公司 DONG GUAN XI BANG ELECTRONICS CO., LTD.			
△3					DATE	TOLERANCE UNLESS OTHERWISE SPECIFIED	MATERIAL:				
△2	Una	11/11-10'	ECN10365	ENGINEER:	Clark	11/17-10'	FINISH:	DRAWING NO.	CP3101SD	PART NO.	CP31**P000
△1	SUN	10/22-03'	ECN03360/ECR03039-0	CHECKED BY:	David	11/17-10'		SCALE	1 / 1	SHEET	1 OF 1
SYM	NAME	DATE	REVISIONS	APPROVED BY:	David	11/17-10'	.X ± 0.38 / .015	.X' ± 1"			
							.XX ± 0.25 / .010	.X' ±			
							.XXX ± 0.15 / .006	.XX' ±			