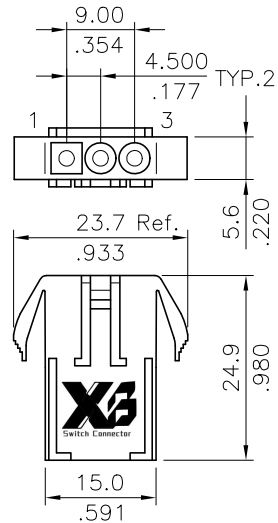
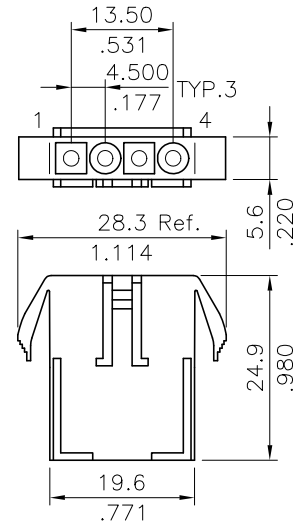


2 CIRCUITS



3 CIRCUITS



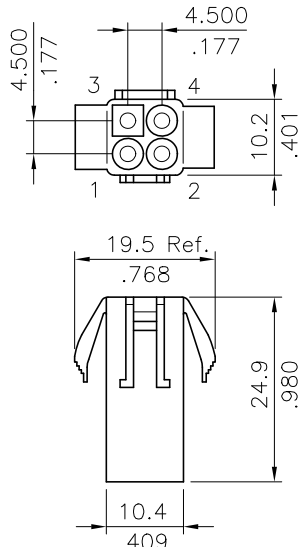
4 CIRCUITS

* Material: Nylon 66 UL 94V-0
Color Nature

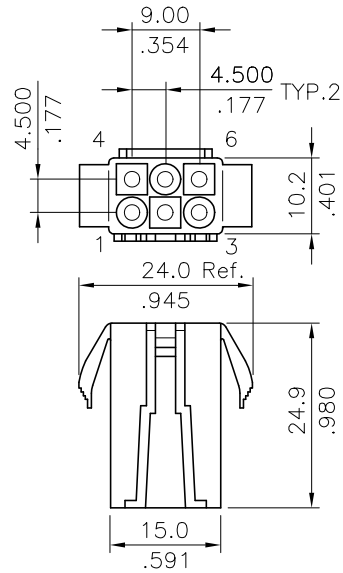
Ordering Code:

CP11 ** P 0000
① ② ③ ④

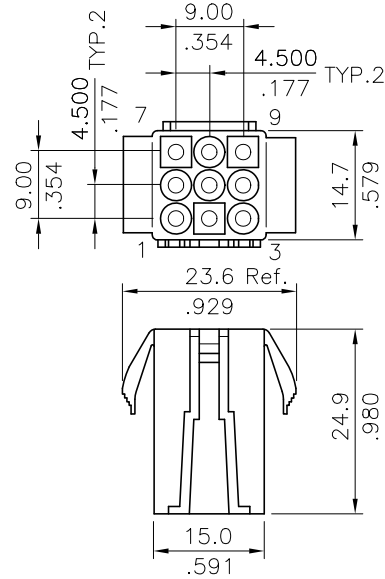
- ① Series No.
- ② Contacts: No of Circuits
- ③ Contact type: P= Male
- ④ Other option: 0000= Standard



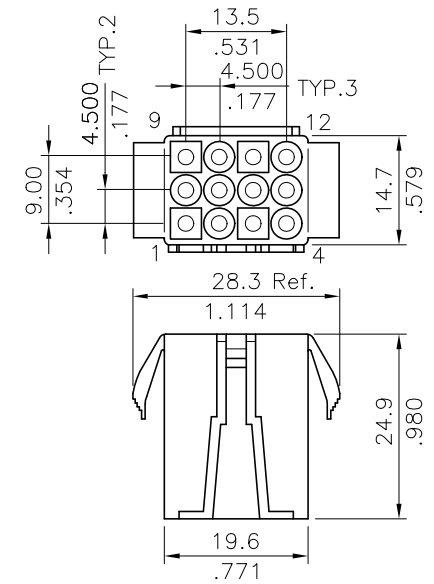
4 CIRCUITS
(P/N: CP1104P000A)




6 CIRCUITS



9 CIRCUITS



12 CIRCUITS

④					DATE	UNIT: mm / inch	TITLE: WIRE TO WIRE POWER CONNECTOR	 东莞市溪榜电子有限公司 DONG GUAN XI BANG ELECTRONICS CO., LTD.
③				DRAWN BY: Una	11/11-10'	TOLERANCE UNLESS OTHERWISE SPECIFIED	MATERIAL:	
②	Una	11/11-10'	ECN10365	ENGINEER: Clark	11/17-10'	.X ± 0.30/.012 X.* ± 1*	FINISH:	DRAWING NO. CP1101SE PART NO. CP11**P0000
①	Sun	9/22-09'	ECR09122-0/ECN09457	CHECKED BY: David	11/17-10'	.XX ± 0.20/.008 .X* ±		SCALE 1 / 1 SHEET 1 OF 1
SYM	NAME	DATE	REVISIONS	APPROVED BY: David	11/17-10'	.XXX ± 0.10/.004 .XX* ±		