

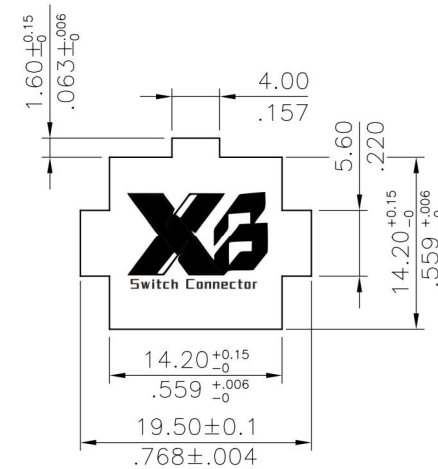
Material:

* Insulation:
Nylon 66, Color Nature

Ordering Code:


CP-01 2 09 0 F 0
① ② ③ ④ ⑤ ⑥

- ① Series No.
- ② Type of Connector: 2= Plug
- ③ No of Circuits:
- ④ Plating Code: 0= Non plating
- ⑤ Variation: F= UL 94V-2
(Glow wire available)
- ⑥ Option: 0= Standard



Mounting Hole Details

RoHS Compliant

④					DATE	UNIT: mm / inch	TITLE:	 东莞市溪榜电子有限公司 DONG GUAN XI BANG ELECTRONICS CO., LTD.
③				DRAWN BY:	Sandy	7/06-07'	PLUG POWER CONNECTOR	
②				ENGINEER:	Eisley	7/06-07'	MATERIAL:	
①				CHECKED BY:	David	7/06-07'	FINISH:	
SYM	NAME	DATE	REVISIONS	APPROVED BY:	David	7/06-07'		
						TOLERANCE UNLESS OTHERWISE SPECIFIED		DRAWING NO. CP0144AA
						.X ± 0.38/.015	X' ± r'	PART NO. CP-012090F0
						.XX ± 0.25/.010	.X' ±	SCALE 2 / 1
						.XXX ± 0.10/.004	.XX' ±	SHEET 1 OF 1

Notes:

1. Material:

Insulation: Nylon 6, Color Nature

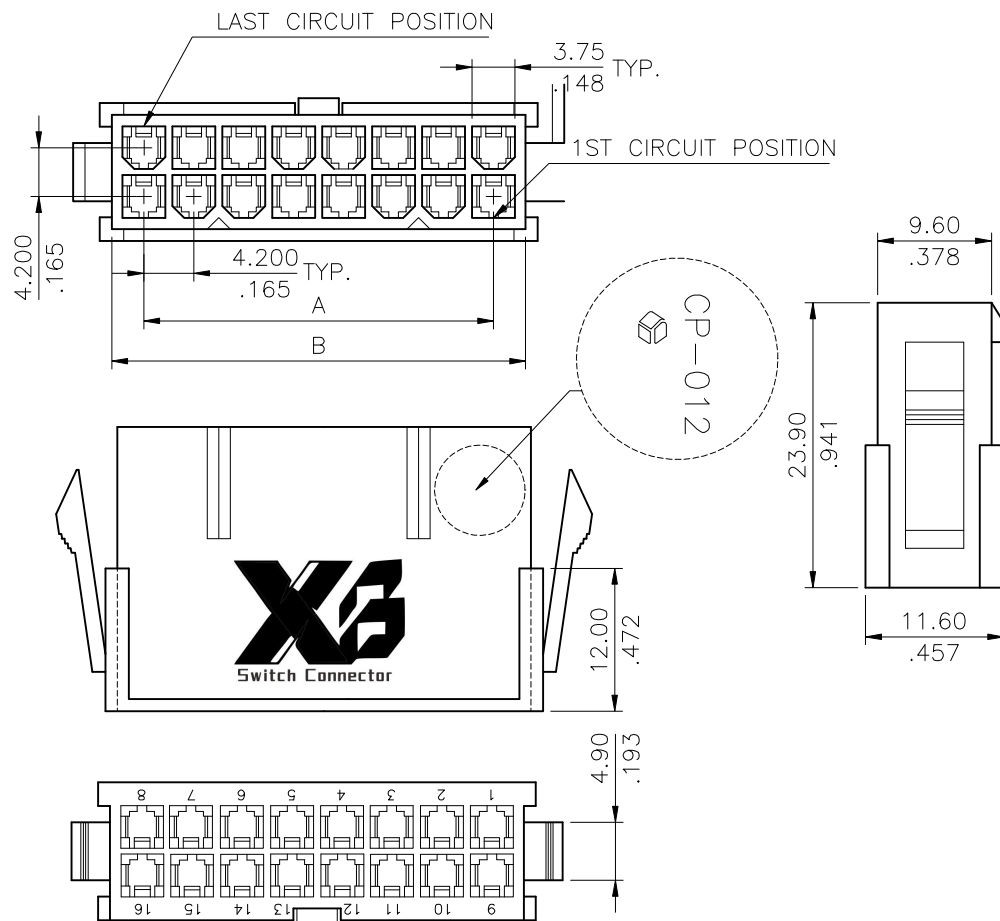
2. Circuit Pattern Schedule: See Drawing No. CP0104S*



3. Glow wire requirement:

IEC 60695-2-12 GWFI 960°C@0.38mm & 930°C@0.75mm & 960°C@1.50mm & 960°C@3.00mm

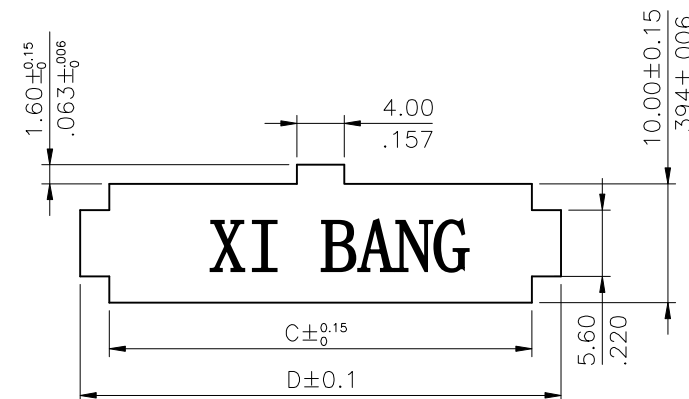
IEC 60695-2-11 GWEPT 750°C ≤2S



Ordering Code:


CP-01 2 ** 0 F 0
 ① ② ③ ④ ⑤ ⑥

- ① Series No.
- ② Type of Connector: 2= Plug
- ③ No of Circuits:
- ④ Plating Code: 0= Non plating
- ⑤ Variation: F= UL 94V-2
(Glow wire available)
- ⑥ Option: 0= Standard



Mounting Hole Details

RoHS Compliant

④					DATE	UNIT: mm / inch	TITLE: PLUG CP-01 POWER CONNECTOR	 东莞市溪榜电子有限公司 DONG GUAN XI BANG ELECTRONI CS CO., LTD.	
③				DRAWN BY: Kenny	8/26-20'	TOLERANCE UNLESS OTHERWISE SPECIFIED	MATERIAL:		
②				ENGINEER: Sun	9/1-20'	.X ± 0.38/015 X' ± r'	FINISH:	DRAWING NO. CP0145AB	PART NO. CP-012**0F0
①	Kenny	8/26-20'	ECNT120227	CHECKED BY: Eisley	9/4-20'	.XX ± 0.25/010 X' ±		SCALE 2 / 1	SHEET 1 OF 1
SYM	NAME	DATE	REVISIONS	APPROVED BY: Eisley	9/4-20'	.XXX ± 0.10/004 XX' ±			

Notes:

1. Material:

Insulation: Nylon 6, Color Nature

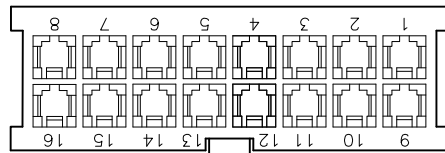
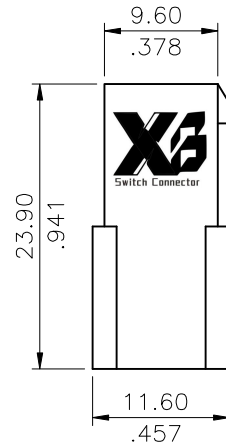
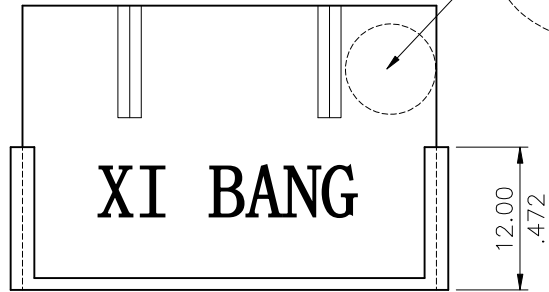
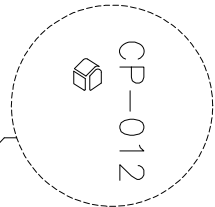
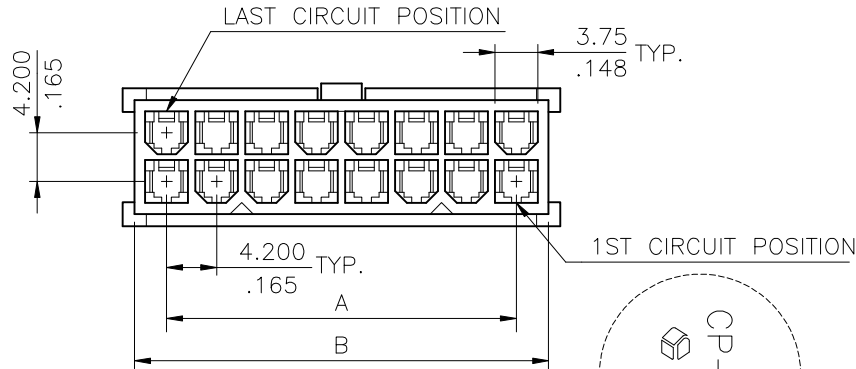
2. Circuit Pattern Schedule: See Drawing No. CP0104S*



3. Glow wire requirement:

IEC 60695-2-12 GWFI 960°C@0.38mm & 930°C@0.75mm & 960°C@1.50mm & 960°C@3.00mm

IEC 60695-2-11 GWEPT 750°C ≤2S



Ordering Code:

CP-01 2 ** 0 E 0
① ② ③ ④ ⑤ ⑥

- ① Series No.
- ② Type of Connector: 2= Plug
- ③ No of Circuits:
- ④ Plating Code: 0= Non plating
- ⑤ Variation: E= UL 94V-2, Without mounting ears
(Glow wire available)
- ⑥ Option: 0= Standard

RoHS Compliant

④					DATE	UNIT: mm / inch	TITLE:	东莞市溪榜电子有限公司 DONG GUAN XI BANG ELECTRONI CS CO., LTD.
③				DRAWN BY:	Kenny	8/26-20'	PLUG CP-01 POWER CONNECTOR	
②				ENGINEER:	Sun	9/1-20'	MATERIAL:	DRAWING NO. CP0147AB PART NO. CP-012**0E0 SCALE 2 / 1 SHEET 1 OF 1
①	Kenny	8/26-20'	ECNT120227	CHECKED BY:	Eisley	9/4-20'	FINISH:	
SYM	NAME	DATE	REVISIONS	APPROVED BY:	Eisley	9/4-20'		
						TOLERANCE UNLESS OTHERWISE SPECIFIED		
						.X ± 0.38/.015	X' ± r'	
						.XX ± 0.25/.010	.X' ±	
						.XXX ± 0.10/.004	.XX' ±	