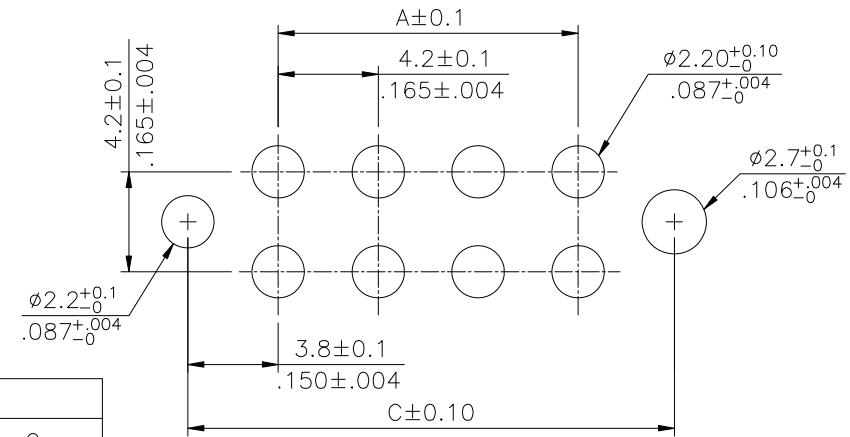
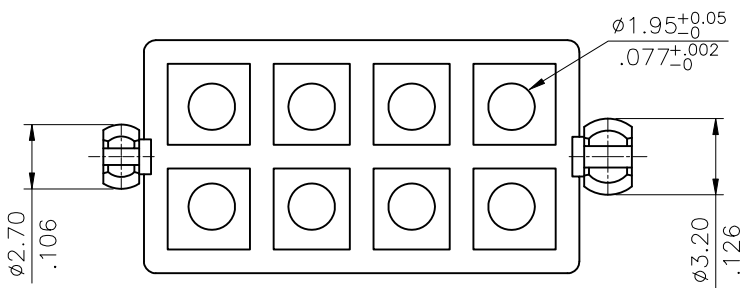
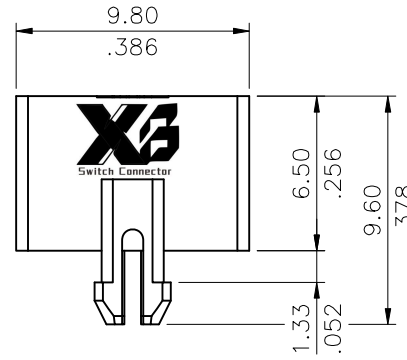
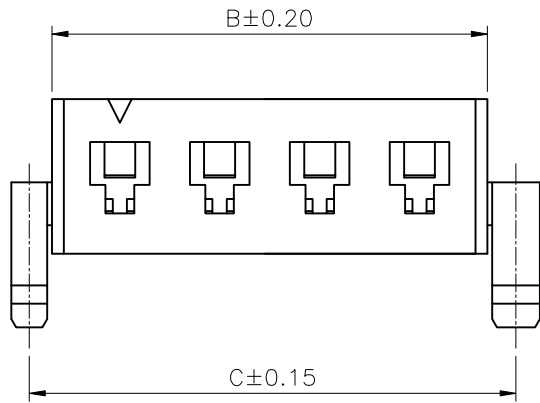


Note:
 Material: Nylon 66 Wirh G.F UL 94V-0
 Mate with CP53TA31PP0
 * With PCB thickness:1.20mm

Ordering Code

CP53 ** S D A 0 0 -NH
 ① ② ③ ④ ⑤ ⑥ ⑦ ⑧

- ① Series No.
- ② No. of Circuits:
- ③ S= Connector housing
- ④ D= Dual Row Type
- ⑤ A= With Board Lock Type1
- ⑥ Color: 0= Nature
- ⑦ 0= For 1.2mm thickness PCB
- ⑧ -NH= Halogen-Free



Recommended P.C. Board Layout

Circuits	Dimension		
	A	B	C
6	8.4(.331)	14.1(.555)	16.25(.640)
8	12.6(.496)	18.3(.720)	20.45(.805)

Halogen-Free

RoHS Compliant

SYM	NAME	DATE	REVISIONS	APPROVED BY:	Eisley	11/30-22'	UNIT: mm / inch	TITLE: 4.20MM(.165") BOARD IN CONNECTORS
④				DRAWN BY:	Hank	11/30-22'	TOLERANCE UNLESS OTHERWISE SPECIFIED	MATERIAL:
③				ENGINEER:	Hank	11/30-22'		
②				CHECKED BY:	Eisley	11/30-22'	.X ± 0.30 / .012	X' ± 1"
①				APPROVED BY:	Eisley	11/30-22'	.XX ± 0.20 / .008	.X' ±
							.XXX ± 0.10 / .004	.XX' ±

XB 东莞市溪榜电子有限公司
 Switch Connector DONG GUAN XI BANG ELECTRONICS CO., LTD.

DRAWING NO.	CP5301S2	PART NO.	CP53**SDA00-NH
SCALE	3 / 1	SHEET	1 OF 1