

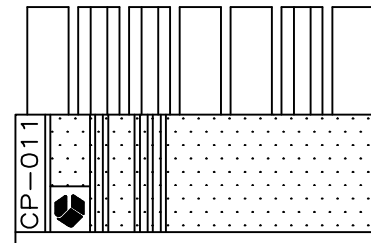
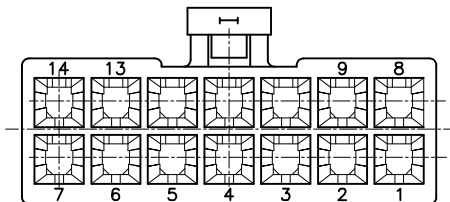
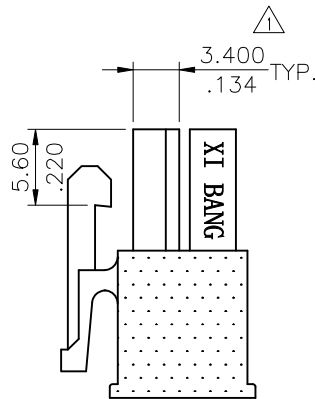
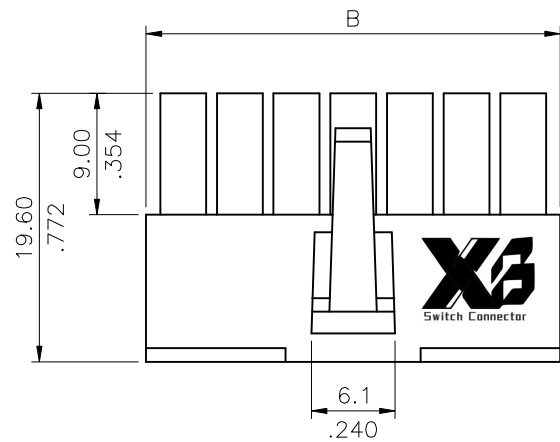
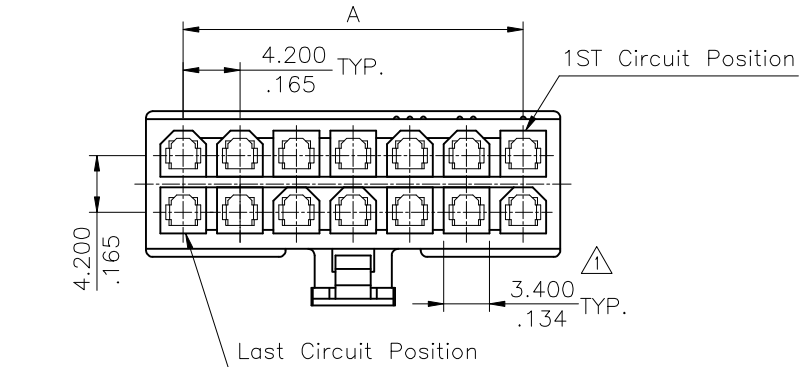
Note:

- △ 1. Material: Nylon 6
- 2. Circuit Pattern Schedule: See Drawing No. CP0102S*
- 3. Available in 6 through 24 Circuits
- △ 4. Glow wire requirement:
IEC 60695-2-12 GWFI 960°C@0.38mm & 930°C@0.75mm
& 960°C@1.50mm & 960°C@3.00mm
IEC 60695-2-11 GWEPT 750°C ≤2S

Ordering Code:


CP-01 1 ** 0 E *
① ② ③ ④ ⑤ ⑥

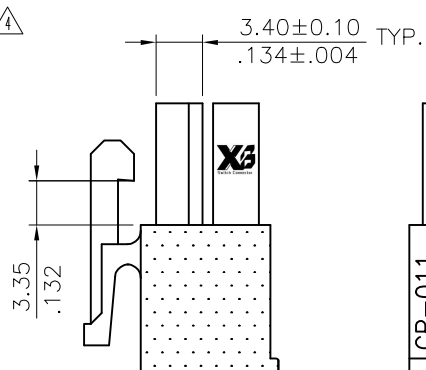
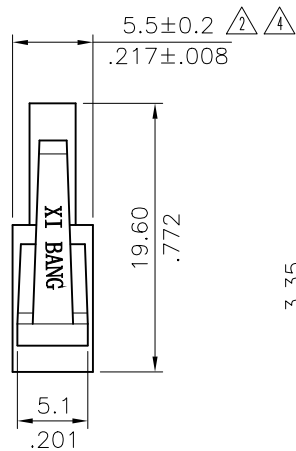
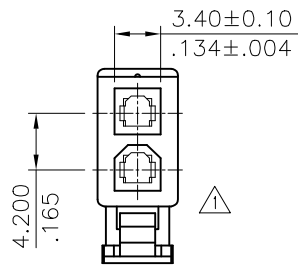
- ① Series No.
- ② Contact Type: 1= Receptacle
- ③ No of Circuits:
- ④ Plating Code: 0= Non plating
- ⑤ Variation: E= UL 94V-2
(Glow wire available)
- △ ⑥ Option: 0= Color Nature
1= Color Black
3= Color Red
5= Color Yellow
7= Color Blue



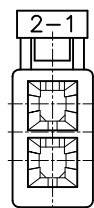
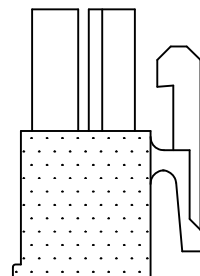
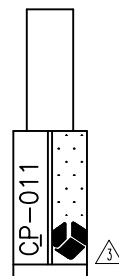
BACK VIEW

RoHS Compliant

△ 4	Kenny	8/26-20'	ECNT120227			DATE	UNIT: mm / inch	TITLE:	RECEPTACLE POWER CONNECTOR	 东莞市溪榜电子有限公司 DONG GUAN XI BANG ELECTRONI CS CO., LTD.		
△ 3	Sun	7/09-15'	ECRB115034/ECNT115163	DRAWN BY:	Kenny	8/26-20'	TOLERANCE UNLESS OTHERWISE SPECIFIED	MATERIAL:				
△ 2	Karen	10/13-08'	ECN08512	ENGINEER:	Sun	9/1-20'	.X ± 0.38/.015 X' ± 1"	FINISH:	DRAWING NO.	CP0141AE	PART NO.	CP-011**0E*
△ 1	Sandy	10/12-07'	ECN07305/ECR07053-1	CHECKED BY:	Eisley	9/4-20'	.XX ± 0.25/.010 .X' ±		SCALE	2 / 1	SHEET	1 OF 1
SYM	NAME	DATE	REVISIONS	APPROVED BY:	Eisley	9/4-20'	.XXX ± 0.10/.004 .XX' ±					



BACK VIEW



Material:

* Insulation: Nylon 66, Color Nature


Ordering Code

CP-01 1 02 0 E *

① ② ③ ④ ⑤ ⑥

- ① Series No.
- ② Contact type: 1= Receptacle
- ③ No of Circuits: 02
- ④ Plating: 0= Non-Plating
- ⑤ Variation: E= UL 94V-2
(Glow Wire available)
- ⑥ Option: 0= Color Nature (Standard)
1= Color Black
3= Color Red
5= Color Yellow
7= Color Blue

RoHS Compliant

④	Sun	7/09-15'	ECRB115034/ECNT115163		DATE	UNIT: mm / inch	TITLE:	 东莞市溪榜电子有限公司 DONG GUAN XI BANG ELECTRONI CS CO., LTD.		
③	Sun	8/23-11'	ECR11045-1/ECN11189	DRAWN BY:	Sun	7/09-15'	RECEPTACLE POWER CONNECTOR			
②	Karen	9/03-08'	ECN08421/ECR08070-0	ENGINEER:	Sun	7/09-15'	MATERIAL:	DRAWING NO. CP0171AE PART NO. CP-011020E*		
①	Sandy	10/11-07'	ECN07305/ECR07053-1	CHECKED BY:	Eisley	7/13-15'	FINISH:			
SYM	NAME	DATE	REVISIONS	APPROVED BY:	Eisley	7/13-15'		SCALE	2 / 1	SHEET 1 OF 1
						TOLERANCE UNLESS OTHERWISE SPECIFIED				
						.X ± 0.38/.015				
						.XX ± 0.25/.010				
						.XXX ± 0.10/.004				