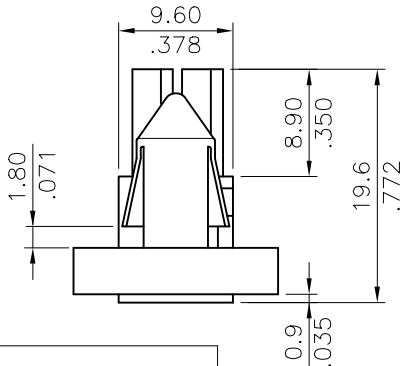
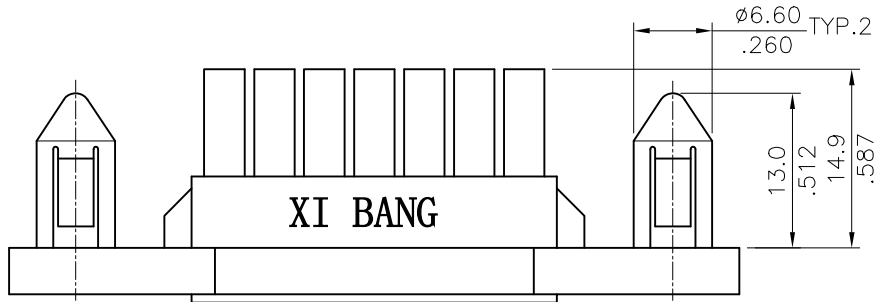


Panel Cutout (Panel Thickness= 1.6±0.05mm)



Installation:

* Insulation: Nylon 66, Color Nature

Ordering Code:

CP-01 1 ** 0 * 0
 ① ② ③ ④ ⑤ ⑥

- ① Series No.
- ② Contact Type: 1= Receptacle
- ③ No of Circuits:
- ④ Plating Code: 0= Non plating
- ⑤ Variation:
 - 6= UL 94V-2, B.M.I type
 - 7= UL 94V-0, B.M.I type
- ⑥ Other options: 0= Standard

Circuits	Dimension				
	A	B	C	D	E
4	4.20(.165)	40.4(1.591)	29.2(1.150)	9.7(.382)	12.8(.504)
6	8.40(.331)	44.6(1.756)	33.40(1.315)	13.9(.547)	17.0(.669)
△ 8	12.60(.496)	48.8(1.921)	37.60(1.480)	18.1(.713)	21.2(.835)
10	16.80(.661)	53.0(2.087)	41.80(1.646)	22.3(.878)	25.4(1.000)
14	25.20(.992)	61.4(2.417)	50.20(1.976)	30.7(1.209)	33.8(1.331)
18	33.60(1.323)	69.8(2.748)	58.60(2.307)	39.1(1.539)	42.2(1.661)
24	46.20(1.819)	82.4(3.244)	71.20(2.803)	51.7(2.035)	54.8(2.157)

Halogen-Free RoHS Compliant

④				DATE	UNIT: mm / inch	TITLE: 4.20mm PICH BMI TYPE RECEPTACLE CONN.
③				DRAWN BY: Karen	10/4-13'	MATERIAL:
②				ENGINEER: Easley	10/4-13'	
①	Karen	10/4-13'	ECNT113068	CHECKED BY: Easley	10/4-13'	FINISH:
SYM	NAME	DATE	REVISIONS	APPROVED BY: David	10/4-13'	

东莞市溪榜电子有限公司
 DONG GUAN XI BANG ELECTRONI CS CO., LTD.

DRAWING NO. CP0134SE PART NO. CP-011**0*0

SCALE 2 / 1 SHEET 1 OF 1