

Material:

* Insulation: Nylon 66, Color Nature

Circuit Pattern Schedule: See Drawing No. CP0102S*

Note:

* Available in 6 through 24 Circuits


Ordering Code:

CP-01 1 ** 0 * 0
 ① ② ③ ④ ⑤ ⑥

- ① Series No.
- ② Contact Type: 1= Receptacle
- ③ No of Circuits:
- ④ Plating Code: 0= Non plating
- ⑤ Variation: 1= UL 94V-2
3= UL 94V-0
- ⑥ Option: 0= Standard

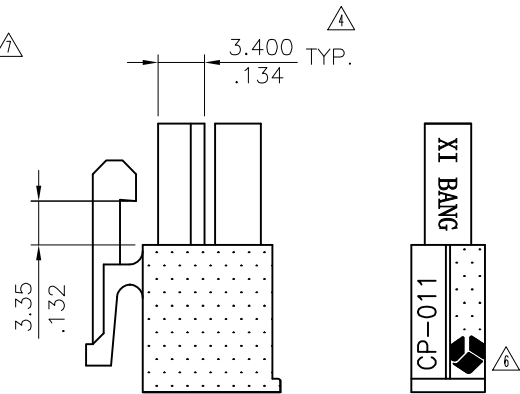
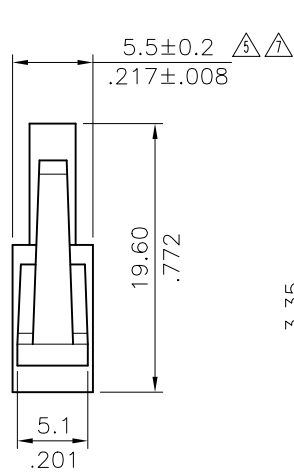
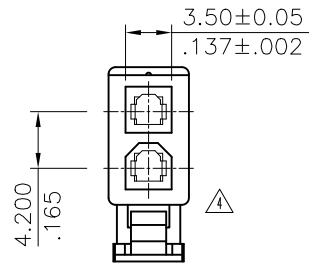
BACK VIEW

RoHS Compliant

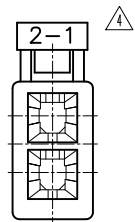
⑤	Sun	7/09-15	ECRB115034/ECNT115163		DATE	UNIT: mm / inch	TITLE:	 东莞市溪榜电子有限公司 DONG GUAN XI BANG ELECTRONICS CO., LTD.
④	Sandy	9/12-07	ECN07305/ECR07053-1	DRAWN BY:	Sun 7/13-15'	TOLERANCE UNLESS OTHERWISE SPECIFIED	RECEPTACLE POWER CONNECTOR	
③	Sandy	8/25/05	ECR05068-0/ECN05289	ENGINEER:	Sun 7/13-15'	.X ± 0.38/.015 X' ± 1'	MATERIAL:	
②	Sun	3/14/05	ECR05019-1/ECN05094	CHECKED BY:	Eisley 7/13-15'	.XX ± 0.25/.010 X' ±	FINISH:	
SYM	NAME	DATE	REVISIONS	APPROVED BY:	Eisley 7/13-15'	.XXX ± 0.10/.004 .XX' ±		
DRAWING NO.	CP0101SI	PART NO.	CP-011**0*0	SCALE	2 / 1	SHEET	1 OF 1	

Material:

* Insulation: Nylon 66



BACK VIEW




Ordering Code

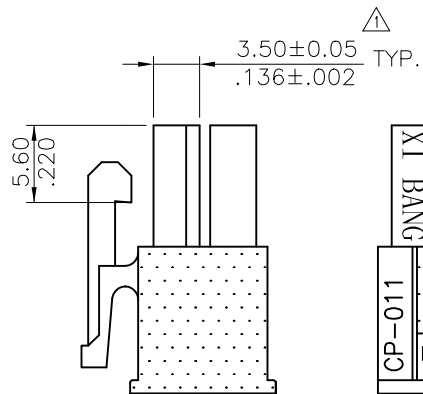
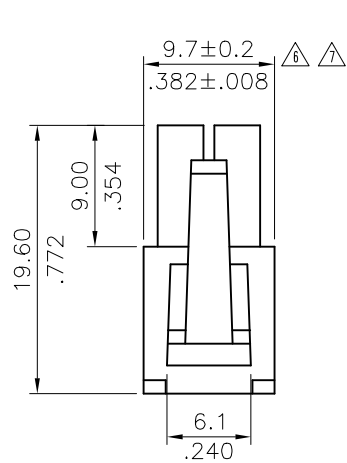
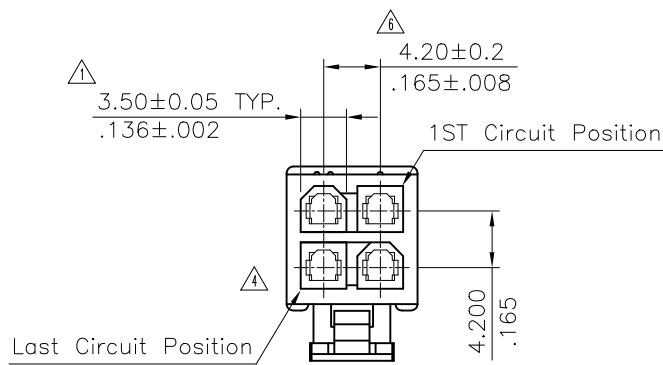
CP-01 1 02 0 1 0
 ① ② ③ ④ ⑤ ⑥

- ① Series No.
- ② Contact type: 1= Receptacle
- ③ No of Circuits: 02
- ④ Plating: 0= Non-Plating
- ⑤ Variation:
 1= UL 94V-2
 3= UL 94V-0
- ⑥ Color option:
 0= Color Nature ; 1= Color Black
 3= Color Red ; 7= Color Blue

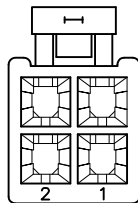
RoHS Compliant

⑦	Sun	7/09-15'	ECRB115034/ECNT115163		DATE	UNIT: mm / inch	TITLE:	 东莞市溪榜电子有限公司 DONG GUAN XI BANG ELECTRONI CS CO., LTD.		
⑥	Sun	8/23-11'	ECR11045-1/ECN11189	DRAWN BY:	Sun	7/09-15'	RECEPTACLE POWER CONNECTOR			
⑤	Karen	9/03/08'	ECN08421/ECR08070-0	ENGINEER:	Sun	7/09-15'	MATERIAL:	DRAWING NO. CP0187SG PART NO. CP-011020**		
④	Sandy	10/11-07'	ECN07305/ECR07053-1	CHECKED BY:	Eisley	7/13-15'	FINISH:			
SYM	NAME	DATE	REVISIONS	APPROVED BY:	Eisley	7/13-15'	SCALE 2 / 1 SHEET 1 OF 1			

TOLERANCE UNLESS OTHERWISE SPECIFIED	
.X ± 0.38/.015	X.* ± 1'
.XX ± 0.25/.010	.X* ±
.XXX ± 0.10/.004	.XX* ±



BACK VIEW



Material:
* Insulation: Nylon 66

Ordering Code

CP-01 1 04 0 1 0
① ② ③ ④ ⑤ ⑥

- ① Series No.
- ② Contact type: 1= Receptacle
- ③ No of Circuits: 04
- ④ Plating: 0= Non-Plating
- ⑤ Variation:
1= UL 94V-2
3= UL 94V-0
- ⑥ Color option:
0= Color Nature ; 1= Color Black
3= Color Red ; 5= Yellow 7= Color Blue

RoHS Compliant

⑦	Sun	7/09-15	ECRB115034/ECNT115163		DATE	UNIT: mm / inch	TITLE:	东莞市溪榜电子有限公司 DONG GUAN XI BANG ELECTRONICS CO., LTD.				
⑥	Karen	8/29/08	ECR08070-0/ECN08421	DRAWN BY:	Sun	7/09-15'	RECEPTACLE POWER CONNECTOR					
⑤	Bill	06/03/08	ECN08256	ENGINEER:	Sun	7/09-15'	MATERIAL:	DRAWING NO. CP0156SL PART NO. CP-011040**				
④	Sandy	10/11/07	ECN07305/ECR07053-1	CHECKED BY:	Eisley	7/13-15'					FINISH:	
SYM	NAME	DATE	REVISIONS	APPROVED BY:	Eisley	7/13-15'	TOLERANCE UNLESS OTHERWISE SPECIFIED .X ± 0.38/.015 X* ± 1' .XX ± 0.25/.010 .X* ± .XXX ± 0.10/.004 .XX* ±		SCALE	2 / 1	SHEET	1 OF 1