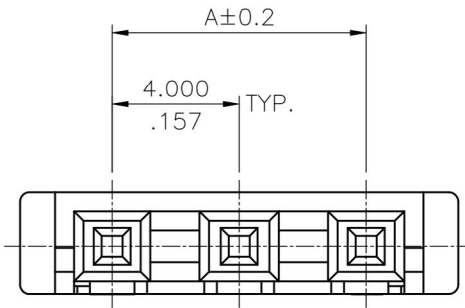


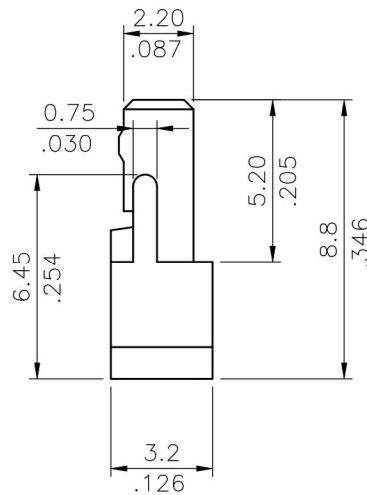
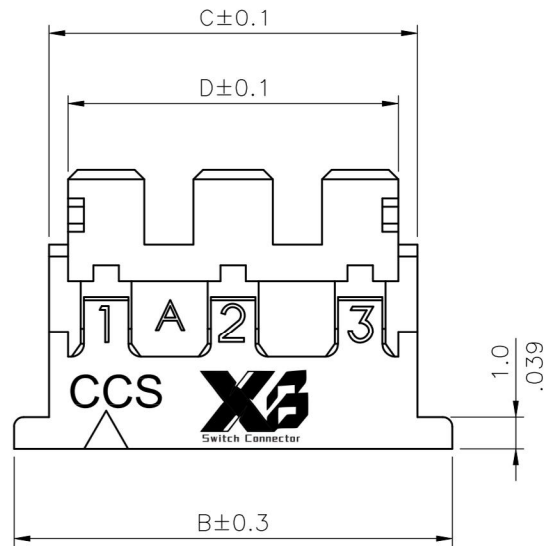


Material:

Insulator: Nylon 66 UL 94V-0




③	Circuits	Dim.A	Dim.B	Dim.C	Dim.D
	2	4.00(.157)	9.8(.386)	7.6(.299)	6.40(.252)
	3	8.00(.315)	13.8(.543)	11.6(.457)	10.40(.409)
	4	12.00(.472)	17.8(.701)	15.6(.614)	14.40(.567)
	5	16.00(.630)	21.8(.858)	19.6(.772)	18.40(.724)



Ordering Code:

CP04 03 S 00*0
 ① ② ③ ④

- ① Series No.
- ② No. of Circuits: 2,3,4,5 PIN
- ③ S= Connector Housing
- ④ Other option: 0000= Color White(Standard)
0010= Color Black

④	SYM	NAME	DATE	REVISIONS	APPROVED BY:	Eisley	6/29-18'	DATE	UNIT: mm / inch	TITLE:	4.0mm PITCH HOUSING	 东莞市溪榜电子有限公司 DONG GUAN XI BANG ELECTRONI CS CO., LTD.		
④	Sun	6/21-18'	ECNT118140					DATE	UNIT: mm / inch	TITLE:	4.0mm PITCH HOUSING			
③	Bill	8/27-07'	ECN07348		DRAWN BY:	Sun	6/27-18'		TOLERANCE					
②	Ethan	2/10-06'	ECN06032		ENGINEER:	Sun	6/27-18'		UNLESS OTHERWISE SPECIFIED	MATERIAL:				
①	Ethan	12/27-05	ECN05452		CHECKED BY:	Eisley	6/29-18'		.X ± 0.30/.012	.X* ± r				
									.XX ± 0.20/.008	.X* ±				
									.XXX ± 0.10/.004	.XX* ±				
										FINISH:				
											DRAWING NO.	CP0402SE	PART NO.	CP04**S0000
											SCALE	4 / 1	SHEET	1 OF 1