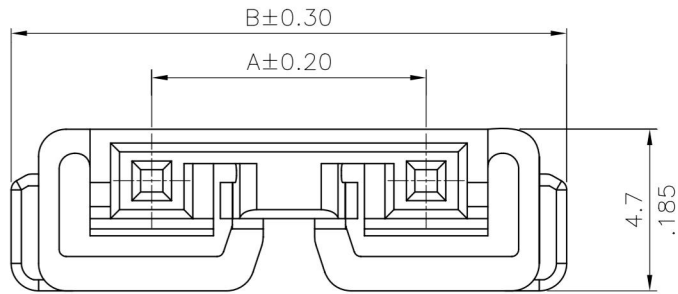


Material: Nylon 66 UL 94V-0 Color Nature

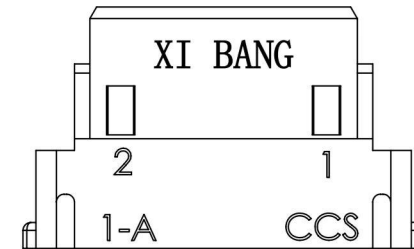
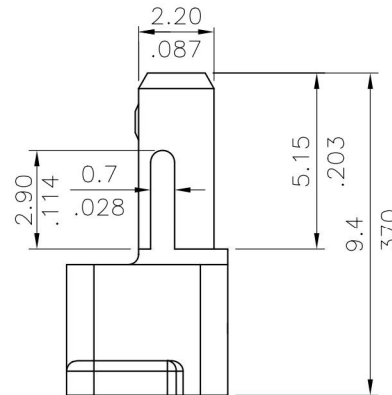
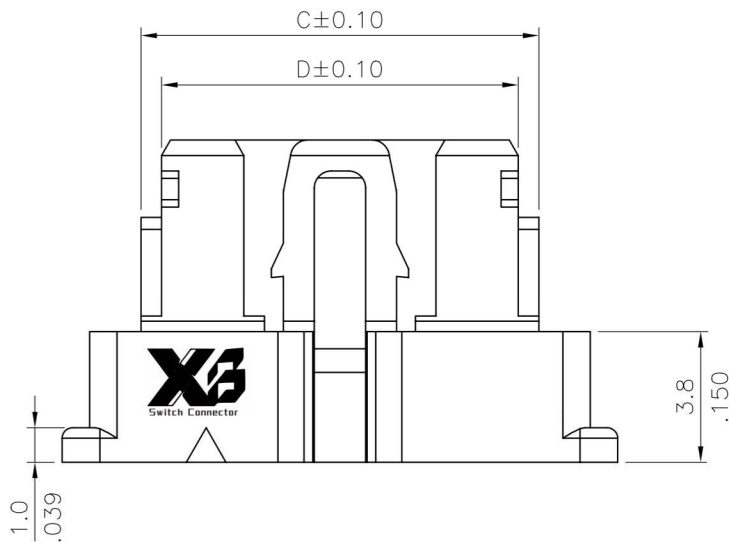
P/N	DIM. A	DIM. B	DIM. C	DIM. D
CP042BSB000	8.0(.315)	16.2(.638)	11.6(.457)	10.4(.409)
CP042CSB000	12.0(.472)	20.2(.795)	15.6(.614)	14.4(.472)
CP042DSB000	16.0(.630)	24.2(.953)	19.6(.772)	18.4(.724)
CP042ESB000	13.0(.512)	21.2(.835)	16.6(.654)	15.4(.606)



Ordering Code:

CP04 2B S B0 0 0  
 ① ② ③ ④ ⑤ ⑥

- ① Series No.
- ② No. of Circuits: 2 PIN  
 B=8.0mm , C=12.0mm  
 D=16.0mm , E=13.0mm
- ③ S= Connector Housing
- ④ B0= With Latch Type B
- ⑤ Color option: 0= Color White(Nature)
- ⑥ Other option: 0= Standard



Back View Scale 3/1

Halogen-Free

RoHS Compliant

SYM	NAME	DATE	REVISIONS	APPROVED BY:	DATE	UNIT: mm / inch	TITLE:	MATERIAL:	FINISH:	DRAWING NO.	PART NO.	SHEET	OF	
4							CP04 HOUSING(Lock B Type)			CP0431SA	CP04**SB000	1	1	
3				DRAWN BY:	Eisley	09/22-06'	TOLERANCE UNLESS OTHERWISE SPECIFIED					1	1	
2			ENGINEER:	Eisley	09/22-06'	.X ± 0.30/.012								.X' ± r'
1			CHECKED BY:	David	09/22-06'	.XX ± 0.20/.008								.X' ±
			APPROVED BY:	Alex	09/22-06'	.XXX ± 0.10/.004								.XX' ±



东莞市溪榜电子有限公司  
 DONG GUAN XI BANG ELECTRONI CS CO., LTD.