

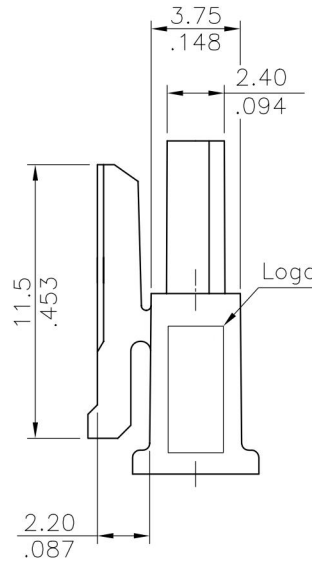
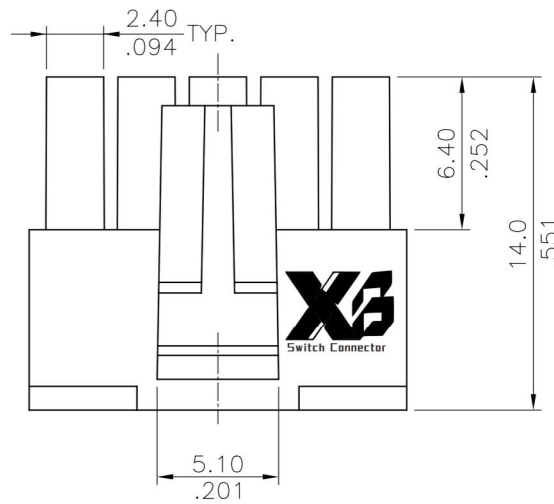
BACK VIEW

Material : PBT. UL 94V-0

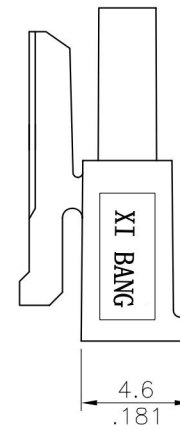
Ordering Code:

CP35 ** S 001 S
 ① ② ③ ④ ⑤

- ① Series No.
- ② Connector: 02 to 12
- ③ Contact type: S = Receptacle
- ④ Color: 001 = Color Black
- ⑤ Option: S= Single Row



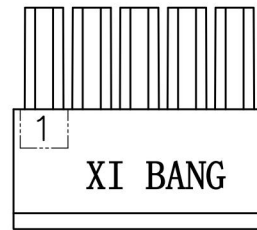
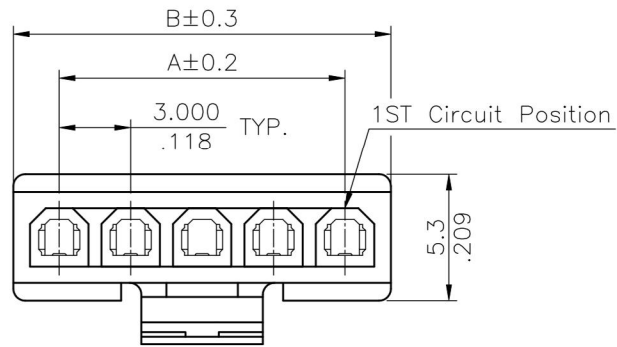
Other Circuits



2 Circuits

Circuits	Dimension	
	A	B
2	3.00(.118)	6.9(.272)
3	6.00(.236)	9.9(.390)
4	9.00(.354)	12.9(.508)
5	12.00(.472)	15.9(.626)
6	15.00(.591)	18.9(.744)
7	18.00(.709)	21.9(.862)
8	21.00(.827)	24.9(.980)
9	24.00(.945)	27.9(1.098)
10	27.00(1.063)	30.9(1.217)
11	30.00(1.181)	33.9(1.335)
12	33.00(1.299)	36.9(1.453)

④					DATE	UNIT: mm / inch	TITLE: 3.00mm PITCH POWER CONNECTOR FEMALE HOUSING	东莞市溪榜电子有限公司 DONG GUAN XI BANG ELECTRONICS CO., LTD.
③				DRAWN BY: Sandy	08/03-06	TOLERANCE UNLESS OTHERWISE SPECIFIED	MATERIAL:	
②				ENGINEER: Eisley	08/07-06	.X ±0.30/.012 .X* ± 1'	FINISH:	DRAWING NO. CP3547SA PART NO. CP35**S001S
①				CHECKED BY: David	08/07-06	.XX ±0.20/.008 .X* ±		SCALE 3 / 1 SHEET 1 OF 1
SYM	NAME	DATE	REVISIONS	APPROVED BY: Alex	08/07-06	.XXX ±0.10/.004 .XX* ±		



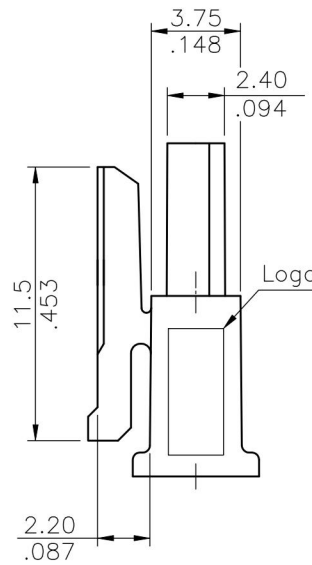
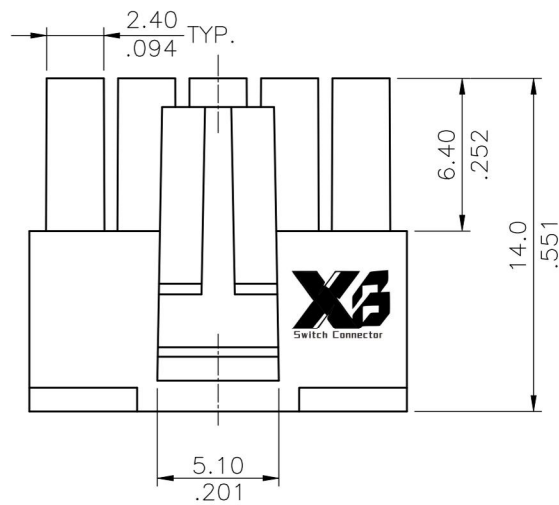
BACK VIEW

Material : Nylon66 UL 94V-0

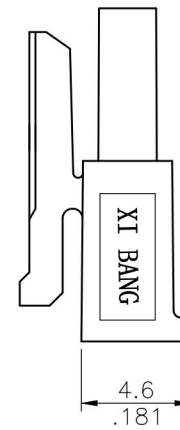
Ordering Code:

CP35 ** S 001 S -NH
 ① ② ③ ④ ⑤ ⑥

- ① Series No.
- ② Connector: 02 to 12
- ③ Contact type: S = Receptacle
- ④ Color: 001 = Color Black
- ⑤ Option: S= Single Row
- ⚠ ⑥ -NH= Halogen-Free



Other Circuits



2 Circuits

Circuits	Dimension	
	A	B
2	3.00(.118)	6.9(.272)
3	6.00(.236)	9.9(.390)
4	9.00(.354)	12.9(.508)
5	12.00(.472)	15.9(.626)
6	15.00(.591)	18.9(.744)
7	18.00(.709)	21.9(.862)
8	21.00(.827)	24.9(.980)
9	24.00(.945)	27.9(1.098)
10	27.00(1.063)	30.9(1.217)
11	30.00(1.181)	33.9(1.335)
12	33.00(1.299)	36.9(1.453)

Halogen-Free

RoHS Compliant

SYM	NAME	DATE	REVISIONS	APPROVED BY:	DATE	UNIT: mm / inch	TITLE: 3.00mm PITCH POWER CONNECTOR FEMALE HOUSING
④							
③				DRAWN BY: Sandy	6/11-19'	TOLERANCE UNLESS OTHERWISE SPECIFIED .X ±0.30/.012 X' ± 1' .XX ±0.20/.008 .X' ± .XXX ±0.10/.004 .XX' ±	MATERIAL:
②				ENGINEER: Sun	6/19-19'		
①	Sandy	6/11-19'	ECNT119143	CHECKED BY: Eisley	7/04-19'		
				APPROVED BY: Eisley	7/04-19'		CUSTOMER: TCF0012

XB 东莞市溪榜电子有限公司
 Switch Connector DONG GUAN XI BANG ELECTRONICS CO., LTD.

DRAWING NO.	CP3512AB	PART NO.	CP35**S001S-NH
SCALE	3 / 1	SHEET	1 OF 1