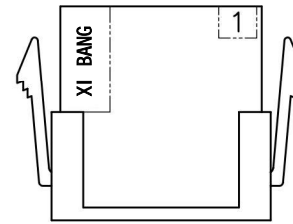
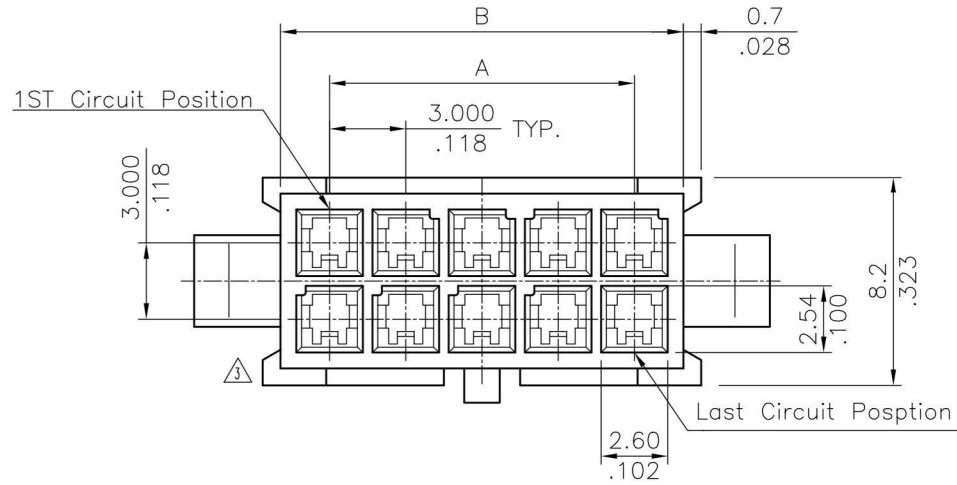


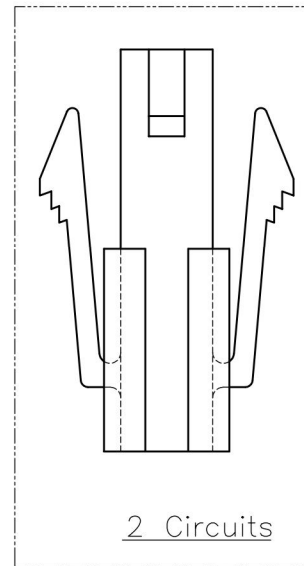
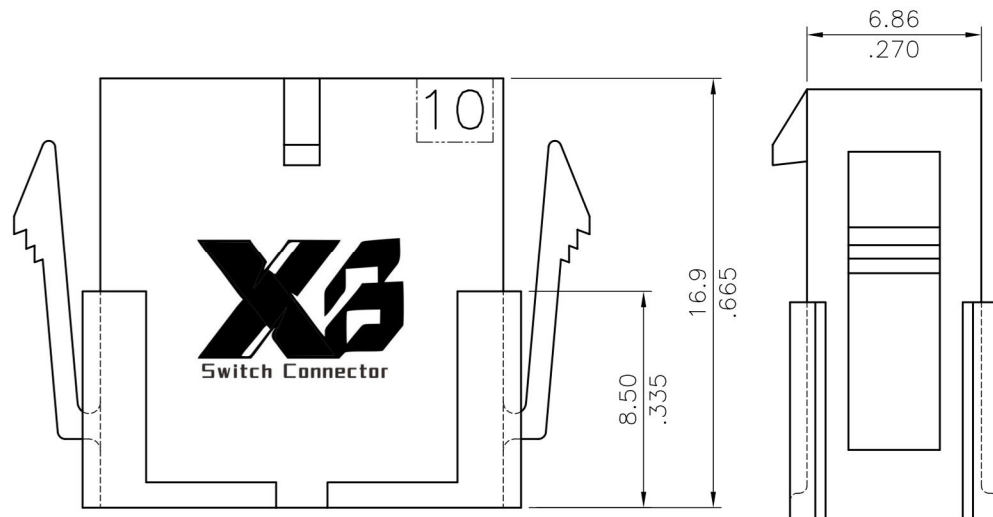
Material : PBT. UL 94V-0

Color Black

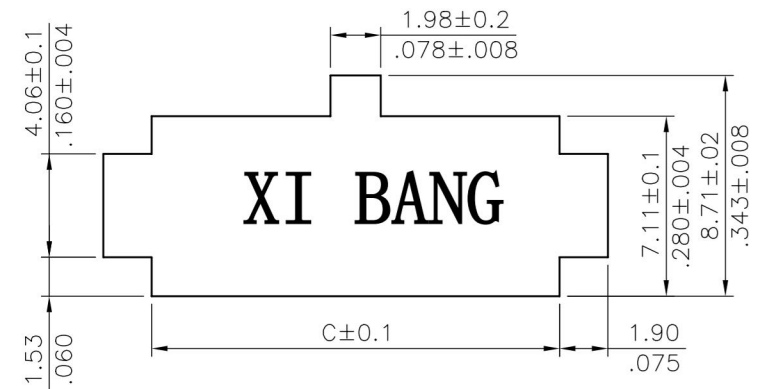


Back View

Circuits	Dimension		
	A	B	C
2	—	3.9(.154)	4.09(.161)
4	3.00(.118)	6.9(.272)	7.09(.279)
6	6.00(.236)	9.9(.390)	10.08(.397)
8	9.00(.354)	12.9(.508)	13.08(.515)
10	12.00(.472)	15.9(.626)	16.06(.633)
12	15.00(.591)	18.9(.744)	19.08(.751)
14	18.00(.709)	21.9(.862)	22.07(.869)
16	21.00(.827)	24.9(.980)	25.07(.967)
18	24.00(.945)	27.9(1.098)	26.07(1.105)
20	27.00(1.063)	30.9(1.217)	31.06(1.223)
22	30.00(1.181)	33.9(1.335)	34.06(1.341)
24	33.00(1.299)	36.9(1.453)	37.06(1.459)



2 Circuits



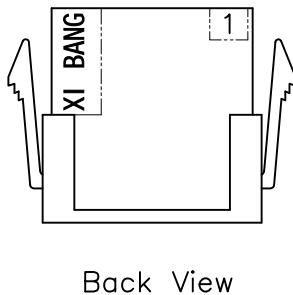
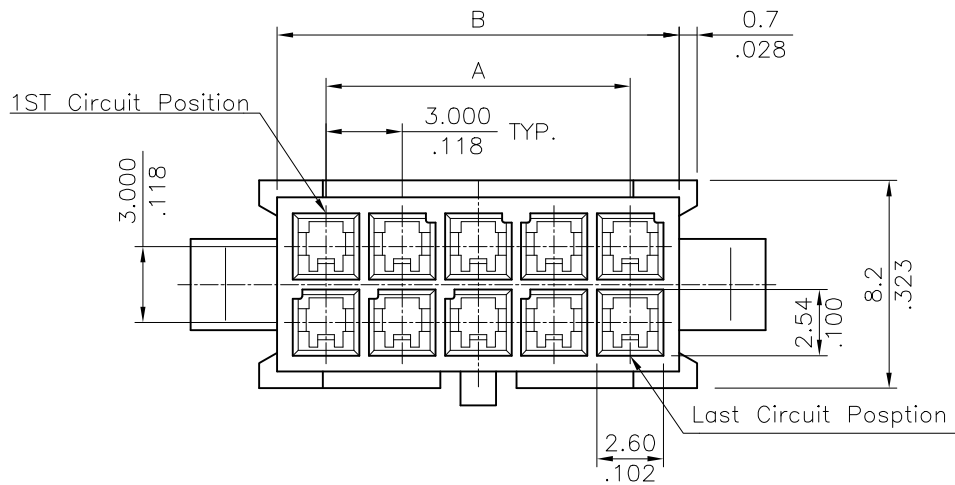
Panel Cutout Size

RoHS Compliant

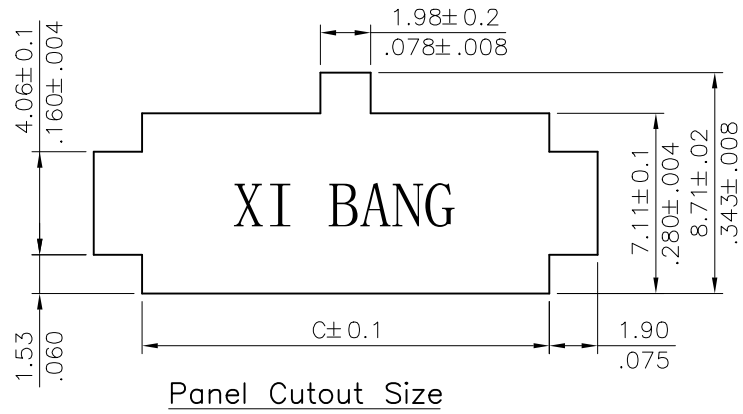
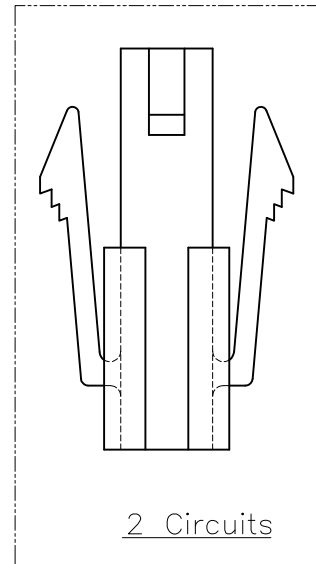
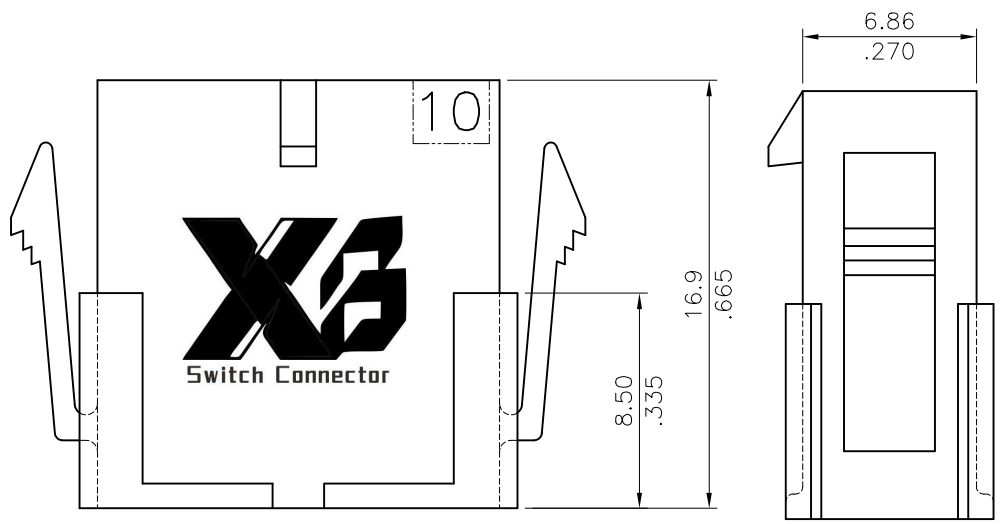
SYM	NAME	DATE	REVISIONS	APPROVED BY:	DATE	UNIT: mm / inch	TITLE: 3.00mm PITCH POWER CONNECTOR MALE HOUSING	MATERIAL:	FINISH:	DRAWING NO. CP3502SD	PART NO. CP35**P0010	SCALE 3 / 1	SHEET 1 OF 1	
4					DATE	UNIT: mm / inch	TITLE: 3.00mm PITCH POWER CONNECTOR MALE HOUSING							
3	Sun	2/13-07'	ECR05064/ECN05274	DRAWN BY: Sun	2/13-07'	TOLERANCE UNLESS OTHERWISE SPECIFIED .X ± 0.30 / .012 .XX ± 0.20 / .008 .XXX ± 0.10 / .004								
2	Casey	8/12-05'	ECR05064/ECN05274	ENGINEER: Eisley	2/14-07'									X* ± 1"
1	Sandy	7/8-05'	ECN05237	CHECKED BY: David	2/14-07'									.X* ±
				APPROVED BY: Alex	2/14-07'	.XX ±								

XI BANG 东莞市溪榜电子有限公司
DONG GUAN XI BANG ELECTRONICS CO., LTD.

Material : Nylon 66 UL94V-0, Color Black



Circuits	Dimension		
	A	B	C
2	—	3.9(.154)	4.09(.161)
4	3.00(.118)	6.9(.272)	7.09(.279)
6	6.00(.236)	9.9(.390)	10.08(.397)
8	9.00(.354)	12.9(.508)	13.08(.515)
10	12.00(.472)	15.9(.626)	16.06(.633)
12	15.00(.591)	18.9(.744)	19.08(.751)
14	18.00(.709)	21.9(.862)	22.07(.869)
16	21.00(.827)	24.9(.980)	25.07(.967)
18	24.00(.945)	27.9(1.098)	28.07(1.105)
20	27.00(1.063)	30.9(1.217)	31.06(1.223)
22	30.00(1.181)	33.9(1.335)	34.06(1.341)
24	33.00(1.299)	36.9(1.453)	37.06(1.459)



Halogen-Free RoHS Compliant

SYM	NAME	DATE	REVISIONS	APPROVED BY:	DATE	UNIT: mm / inch	TITLE: 3.00mm PITCH POWER CONNECTOR MALE HOUSING
4						TOLERANCE UNLESS OTHERWISE SPECIFIED	MATERIAL:
3				DRAWN BY: Karen	12/13-16'		
2				ENGINEER: Sun	12/13-16'	.XX ± 0.20 / .008	.X* ±
1				CHECKED BY: Eisley	12/14-16'	.XXX ± 0.10 / .004	.XX* ±
				APPROVED BY: Eisley	12/14-16'		FINISH:

XB 东莞市溪榜电子有限公司
 Dong Guan Xi Bang Electronics Co., Ltd.
 Switch Connector

DRAWING NO. **CP35195SA** PART NO. **CP35**P0010-NH**

SCALE 3 / 1 SHEET 1 OF 1