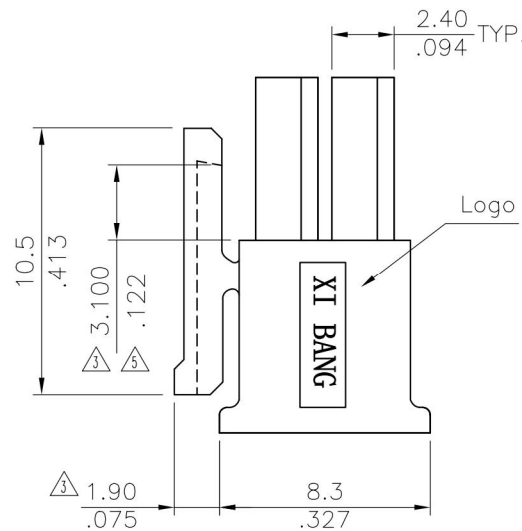
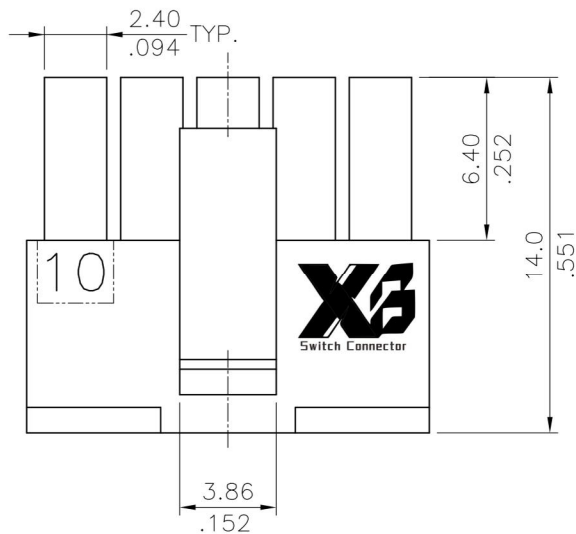


Material : PBT. UL 94V-0

Ordering Code:

CP35 ** S 001 0
 ① ② ③ ④ ⑤

- ① Series No.
- ② Connector: 02 to 24
- ③ Contact type: S = Receptacle
- ④ Color: 001 = Color Black
- ⑤ Option: 0 = Standard

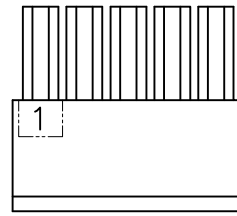
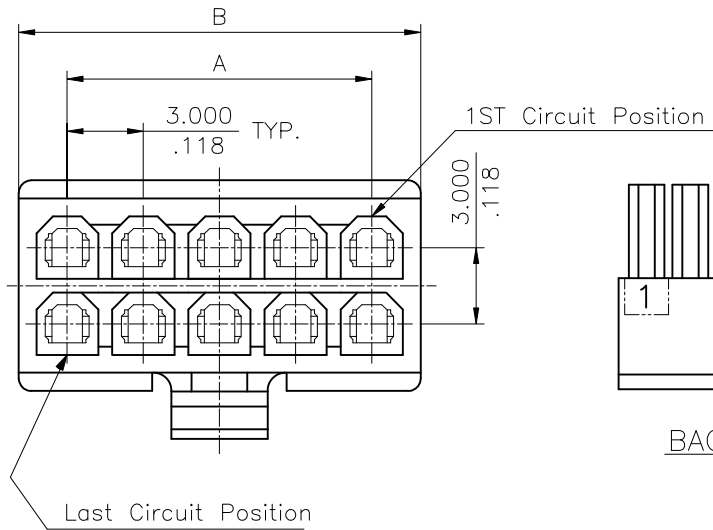


Circuits	Dimension	
	A	B
2	—	3.9(.154)
4	3.00(.118)	6.9(.272)
6	6.00(.236)	9.9(.390)
8	9.00(.354)	12.9(.508)
10	12.00(.472)	15.9(.626)
12	15.00(.591)	18.9(.744)
14	18.00(.709)	21.9(.862)
16	21.00(.827)	24.9(.980)
18	24.00(.945)	27.9(1.098)
20	27.00(1.063)	30.9(1.217)
22	30.00(1.181)	33.9(1.335)
24	33.00(1.299)	36.9(1.453)

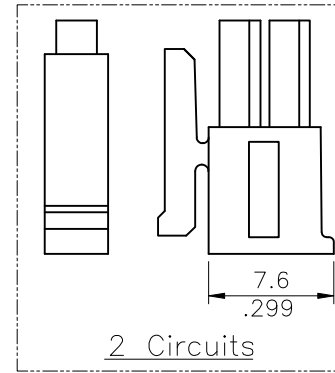
RoHS Compliant

SYM	NAME	DATE	REVISIONS	APPROVED BY:	DATE	UNIT: mm / inch	TITLE: 3.00mm PITCH POWER CONNECTOR FEMALE HOUSING	MATERIAL:	FINISH:	DRAWING NO.	PART NO.	SHEET	OF		
⑤	JASON	6/6/05'	ECN05204												
④	SUN	1/26/05'	ECN05029	DRAWN BY:	Jason	06/06-05'	TOLERANCE UNLESS OTHERWISE SPECIFIED			DRAWING NO. CP3501SH	PART NO. CP35**S0010	SHEET 1 OF 1			
③	SUN	9/29/04'	ECN04344	ENGINEER:	Eisley	06/07-05'								.X ±0.30/.012	.X' ± 1'
②	SUN	5/14/04'	ECN04198	CHECKED BY:	David	06/07-05'								.XX ±0.20/.008	.X' ±
				APPROVED BY:	Alex	06/07-05'								.XXX ±0.10/.004	.XX' ±

XB 东莞市溪榜电子有限公司
 Switch Connector DONG GUAN XI BANG ELECTRONICS CO., LTD.



BACK VIEW



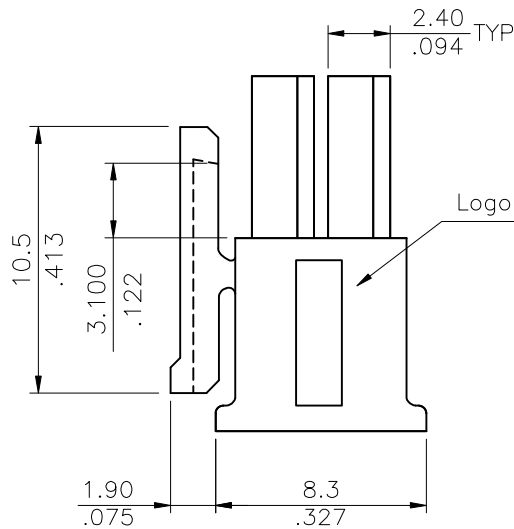
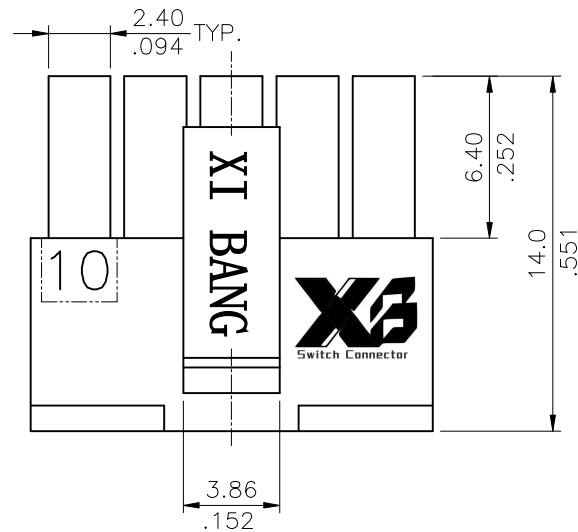
2 Circuits

Material : Nylon66 UL 94V-0

Ordering Code:

CP35 ** S 000 0 -NH
 ① ② ③ ④ ⑤ ⑥

- ① Series No.
- ② Connector: 02 to 24
- ③ Contact type: S = Receptacle
- ④ Color: 000 = Color Nature
- ⑤ Option: 0 = Standard
- ⑥ -NH = Halogen-Free

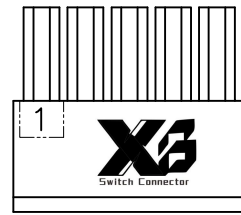
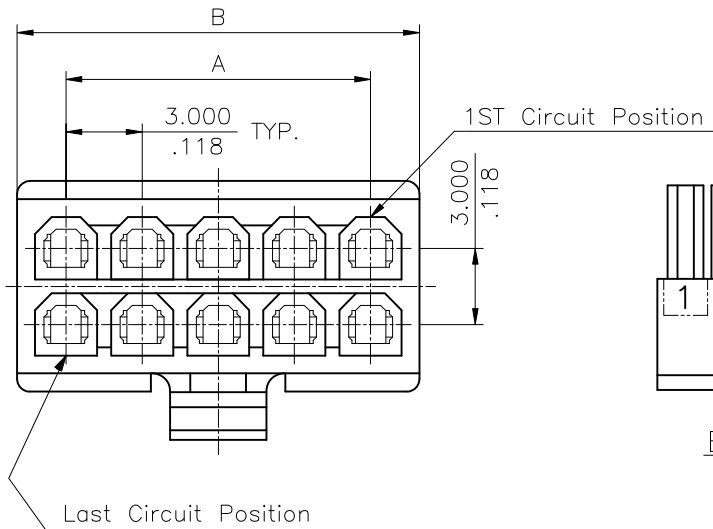


Circuits	Dimension	
	A	B
2	—	3.9(.154)
4	3.00(.118)	6.9(.272)
6	6.00(.236)	9.9(.390)
8	9.00(.354)	12.9(.508)
10	12.00(.472)	15.9(.626)
12	15.00(.591)	18.9(.744)
14	18.00(.709)	21.9(.862)
16	21.00(.827)	24.9(.980)
18	24.00(.945)	27.9(1.098)
20	27.00(1.063)	30.9(1.217)
22	30.00(1.181)	33.9(1.335)
24	33.00(1.299)	36.9(1.453)

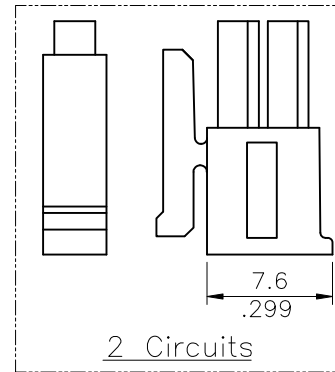
Halogen-Free
 RoHS Compliant

④					DATE	UNIT: mm / inch	TITLE: 3.00mm PITCH POWER CONNECTOR FEMALE HOUSING								
③				DRAWN BY: Sandy	6/11-19'	TOLERANCE UNLESS OTHERWISE SPECIFIED	MATERIAL:								
②				ENGINEER: Sun	6/19-19'			.X ±0.30/.012	.X' ± 1'						
①	Sandy	6/11-19'	ECNT119143	CHECKED BY: Eisley	7/04-19'	.XX ±0.20/.008	.X' ±								
SYM	NAME	DATE	REVISIONS	APPROVED BY: Eisley	7/04-19'	.XXX ±0.10/.004	.XX' ±								
<table border="1" style="width: 100%;"> <tr> <td colspan="2">DRAWING NO. CP3525SB</td> <td colspan="2">PART NO. CP35**S0000-NH</td> </tr> <tr> <td>SCALE</td> <td>3 / 1</td> <td>SHEET</td> <td>1 OF 1</td> </tr> </table>								DRAWING NO. CP3525SB		PART NO. CP35**S0000-NH		SCALE	3 / 1	SHEET	1 OF 1
DRAWING NO. CP3525SB		PART NO. CP35**S0000-NH													
SCALE	3 / 1	SHEET	1 OF 1												

XI BANG 东莞市溪榜电子有限公司
 DONG GUAN XI BANG ELECTRONICS CO., LTD.



BACK VIEW



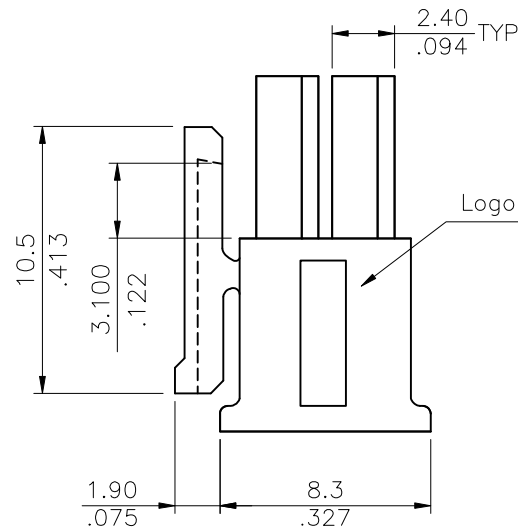
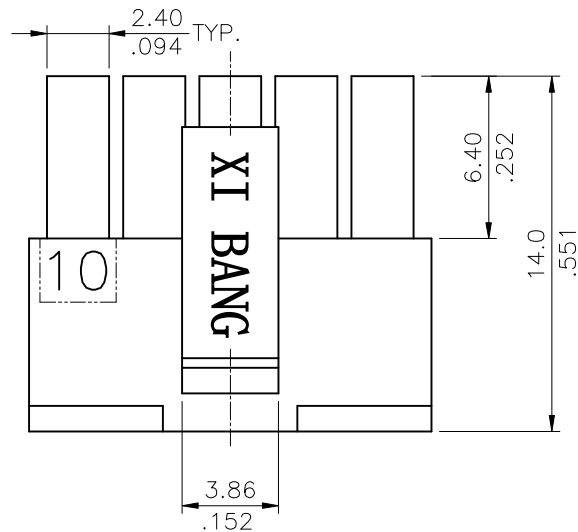
2 Circuits

Material: Nylon 66 UL 94V-0

Ordering Code:

CP35 ** S 001 0 -NH
 ① ② ③ ④ ⑤ ⑥

- ① Series No.
- ② Connector:
- ③ Contact type: S = Receptacle
- ④ Color: 001 = Color Black
- ⑤ Option: 0 = Standard
- ⚠ ⑥ -NH= Halogen-Free



Circuits	Dimension	
	A	B
2	—	3.9(.154)
4	3.00(.118)	6.9(.272)
6	6.00(.236)	9.9(.390)
8	9.00(.354)	12.9(.508)
10	12.00(.472)	15.9(.626)
12	15.00(.591)	18.9(.744)
14	18.00(.709)	21.9(.862)
16	21.00(.827)	24.9(.980)
18	24.00(.945)	27.9(1.098)
20	27.00(1.063)	30.9(1.217)
22	30.00(1.181)	33.9(1.335)
24	33.00(1.299)	36.9(1.453)

Halogen-Free

RoHS Compliant

SYM	NAME	DATE	REVISIONS	APPROVED BY:	DATE	UNIT: mm / inch	TITLE: 3.00mm PITCH POWER CONNECTOR FEMALE HOUSING
④							
③				DRAWN BY: Sandy	6/11-19'	TOLERANCE UNLESS OTHERWISE SPECIFIED .X ±0.30/.012 X' ± 1" .XX ±0.20/.008 .X' ± .XXX ±0.10/.004 .XX' ±	MATERIAL:
②				ENGINEER: Sun	6/19-19'		
①	Sandy	6/11-19'	ECNT119143	CHECKED BY: Eisley	7/04-19'		
				APPROVED BY: Eisley	7/04-19'		CUSTOMER: HL0142 F5T0051



东莞市溪榜电子有限公司
 DONG GUAN XI BANG ELECTRONI CS CO., LTD.

DRAWING NO.	CP3589SB	PART NO.	CP35**S0010-NH
SCALE	3 / 1	SHEET	1 OF 1