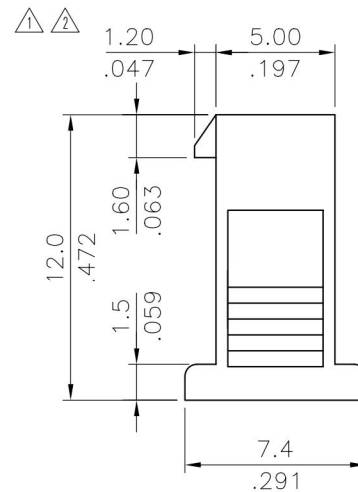
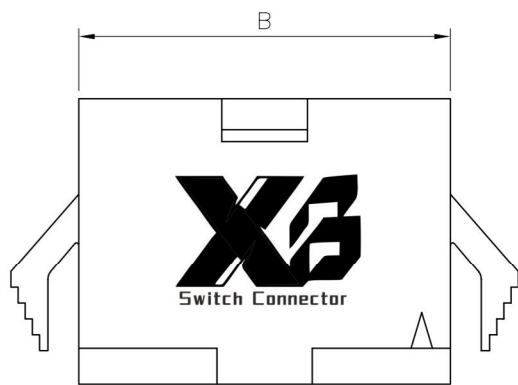


Material: Nylon 66 UL 94V-2

Ordering Code:


CP06 ** S 001 0
 ① ② ③ ④ ⑤

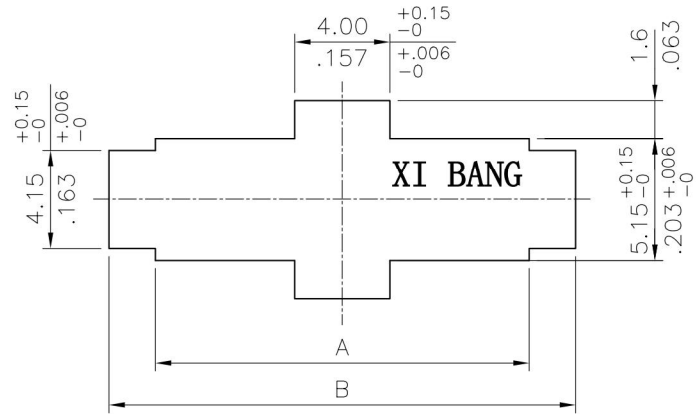
- ① Series No.
- ② Contacts: 02 to 12
- ③ Contact type: S= Receptacle
- ④ Color : 001= Color Black
- ⑤ Option: 0= Standard



Circuits	Dimension	
	A	B
2	2.50(.098)	5.7(.224)
3	5.00(.197)	8.2(.323)
4	7.50(.295)	10.7(.421)
5	10.00(.394)	13.2(.519)
6	12.50(.492)	15.7(.618)
7	15.00(.591)	18.2(.717)
8	17.50(.689)	20.7(.815)
9	20.00(.787)	23.2(.913)
10	22.50(.886)	25.7(1.012)
11	25.00(.984)	28.2(1.110)
12	27.50(1.083)	30.7(1.209)

Halogen-Free

SYM	NAME	DATE	REVISIONS	APPROVED BY:	DATE	UNIT: mm / inch	TITLE: 2.50mm (.098") WIRE TO WIRE CONNECTOR	 东莞市溪榜电子有限公司 DONG GUAN XI BANG ELECTRONI CS CO., LTD.		
④										
③	Sandy	5/20-08'	ECN08229	DRAWN BY: Sandy	5/20-08'	TOLERANCE UNLESS OTHERWISE SPECIFIED .X ± 0.30/.012 X' ± r .XX ± 0.20/.008 .X' ± .XXX ± 0.10/.004 .XX' ±	MATERIAL:	DRAWING NO. CP0601SH	PART NO. CP06**S0010	
②	SUN	5/12/05'	ECN05168/ECR05043-0	ENGINEER: Clark	5/21-08'			FINISH:	SCALE 2 / 1	SHEET 1 OF 2
①	SUN	3/25/04'	ECN04118/ECR04032-0	CHECKED BY: David	5/21-08'					
①	SUN	3/25/04'	ECN04118/ECR04032-0	CHECKED BY: David	5/21-08'					
①	SUN	3/25/04'	ECN04118/ECR04032-0	CHECKED BY: David	5/21-08'					
①	SUN	3/25/04'	ECN04118/ECR04032-0	CHECKED BY: David	5/21-08'					



Circuits	Dimension					
	0.5~0.9mm(.020"~.035")		1.0~1.5mm(.039"~.059")		1.5~2.0mm(.059"~.079")	
	A $\begin{smallmatrix} +0.15 \\ -0 \\ \text{(.006)} \end{smallmatrix}$	B $\pm 0.1(.004)$	A $\begin{smallmatrix} +0.15 \\ -0 \\ \text{(.006)} \end{smallmatrix}$	B $\pm 0.1(.004)$	A $\begin{smallmatrix} +0.15 \\ -0 \\ \text{(.006)} \end{smallmatrix}$	B $\pm 0.1(.004)$
2	5.80(.228)	9.6(.378)	5.80(.228)	9.8(.386)	5.80(.228)	10.0(.394)
3	8.30(.327)	12.10(.476)	8.30(.327)	12.3(.484)	8.30(.327)	12.5(.492)
4	10.80(.425)	14.6(.575)	10.80(.425)	14.8(.583)	10.80(.425)	15.0(.591)
5	13.30(.524)	17.1(.673)	13.30(.524)	17.3(.681)	13.30(.524)	17.5(.689)
6	15.80(.622)	19.6(.772)	15.80(.622)	19.8(.780)	15.80(.622)	20.0(.787)
7	18.30(.720)	22.1(.870)	18.30(.720)	22.3(.878)	18.30(.720)	22.5(.886)
8	20.80(.819)	24.6(.969)	20.80(.819)	24.8(.976)	20.80(.819)	25.0(.984)
9	23.30(.917)	27.1(1.067)	23.30(.917)	27.3(1.075)	23.30(.917)	27.5(1.083)
10	25.80(1.016)	29.6(1.165)	25.80(1.016)	29.8(1.173)	25.80(1.016)	30.0(1.181)
11	28.30(1.114)	32.1(1.264)	28.30(1.114)	32.3(1.272)	28.30(1.114)	32.5(1.280)
12	30.80(1.213)	34.6(1.362)	30.80(1.213)	34.8(1.370)	30.80(1.213)	35.0(1.378)

4					DATE	UNIT: mm / inch	TITLE: CP06 SERIES RECOMMENDING PANEL PATTERN	东莞市溪榜电子有限公司 DONG GUAN XI BANG ELECTRONICS CO., LTD.	
3	Sandy	5/20-08'	ECN08229	DRAWN BY: Sandy	5/20-08'	TOLERANCE UNLESS OTHERWISE SPECIFIED	MATERIAL:		
2	SUN	5/12/05'	ECN05168/ECR05043-0	ENGINEER: Clark	5/21-08'	.X ± 0.30 / .012 X.* ± 1"	FINISH:		
1	SUN	3/25/04'	ECN04118/ECR04032-0	CHECKED BY: David	5/21-08'	.XX ± 0.20 / .008 .X* ±			
SYM	NAME	DATE	REVISIONS	APPROVED BY: Alex	5/21-08'	.XXX ± 0.10 / .004 .XX* ±	DRAWING NO. CP0601SH	PART NO. CP06**S0010	
							SCALE	3 / 1	SHEET 2 OF 2