

Material :

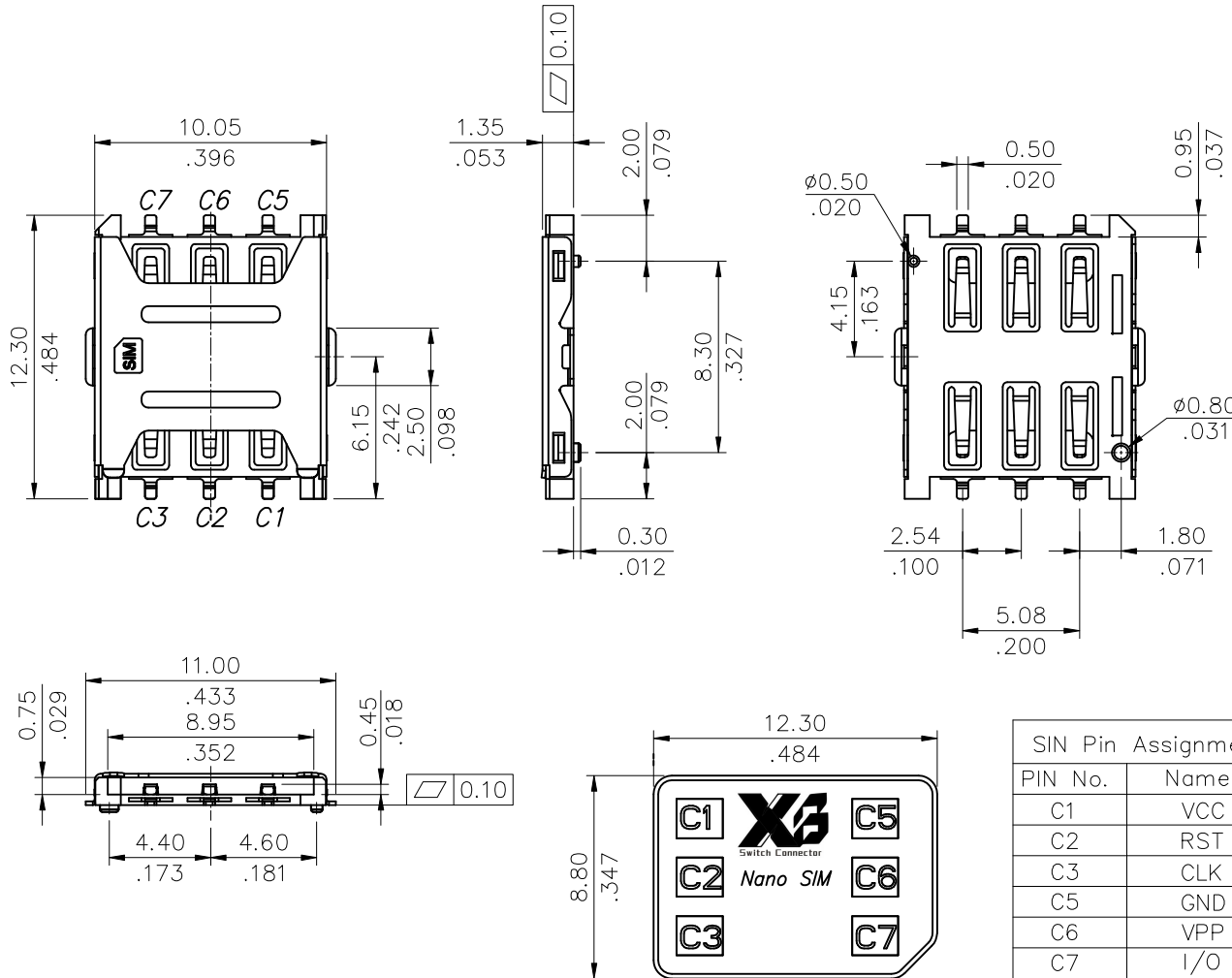
*Base: High temperature thermoplastic UL 94V-0, Color Black

*Contact: Copper Alloy, thickness 0.15mm

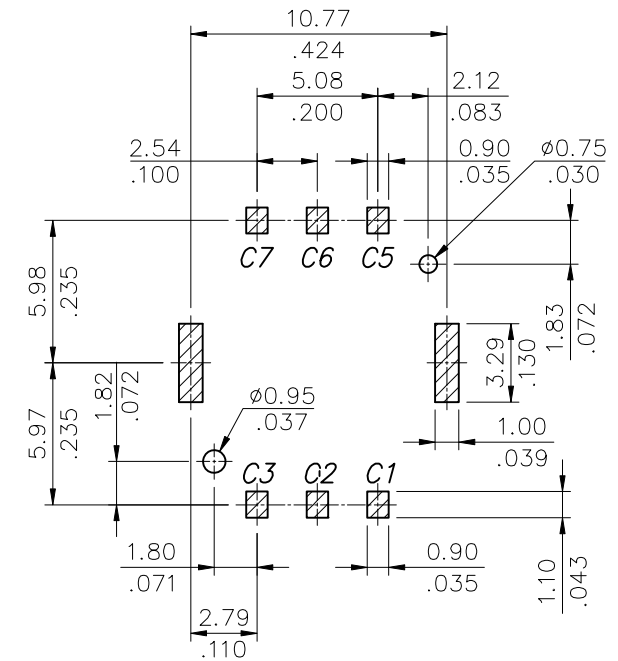
*Shell: SUS

Plating :

*Shell: Gold Plated on PAD area, 50u" Nickel Plated overall



SIN Pin Assignment	
PIN No.	Name
C1	VCC
C2	RST
C3	CLK
C5	GND
C6	VPP
C7	I/O



RECOMMEND PCB LAYOUT(TOP VIEW)
TOLERANCE: ±0.05

Ordering Code:

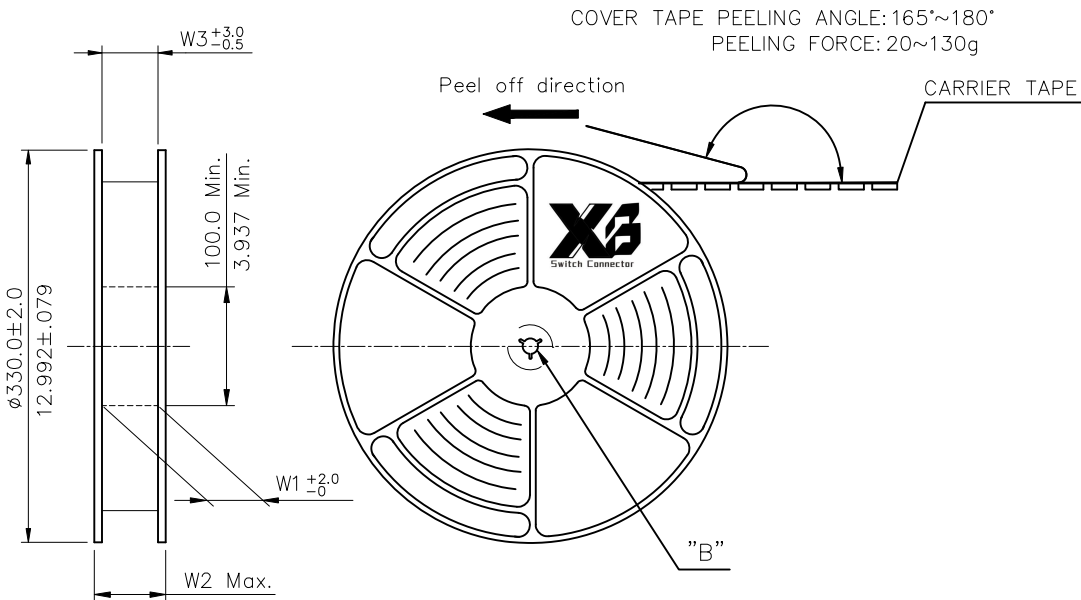
CSM3 06 2 1 D 02 -LF
① ② ③ ④ ⑤ ⑥ ⑦

- ① Series No.
- ② No. of contacts
- ③ Plating option:
2= Gold Flash Plating on Contact area, and Solderails, Nickel Underplating over all
- ④ Insulator Color: 1= Black
- ⑤ D= H:1.35mm
- ⑥ 02= Standard
- ⑦ -LF= For Lead Free
IR Reflow Processes

Lead Free Process
RoHS Compliant

SYM	NAME	DATE	REVISIONS	APPROVED BY:	DATE	UNIT: mm / inch	TITLE:	DRAWING NO.	PART NO.	SHEET	OF	
4												
3				DRAWN BY:	Sandy	8/25-21'	NANO-SIM 1.35H	CSIM-41SA	PART NO. CSM30621D02-LF	SHEET 1 OF 2		
2			ENGINEER:	Sandy	8/25-21'	.X ± 0.15/.016						X' ± 2'
1			CHECKED BY:	Eisley	8/26-21'	.XX ± 0.10/.004						.X' ±
			APPROVED BY:	Eisley	8/26-21'	.XXX ± 0.05/.002						.XX' ±

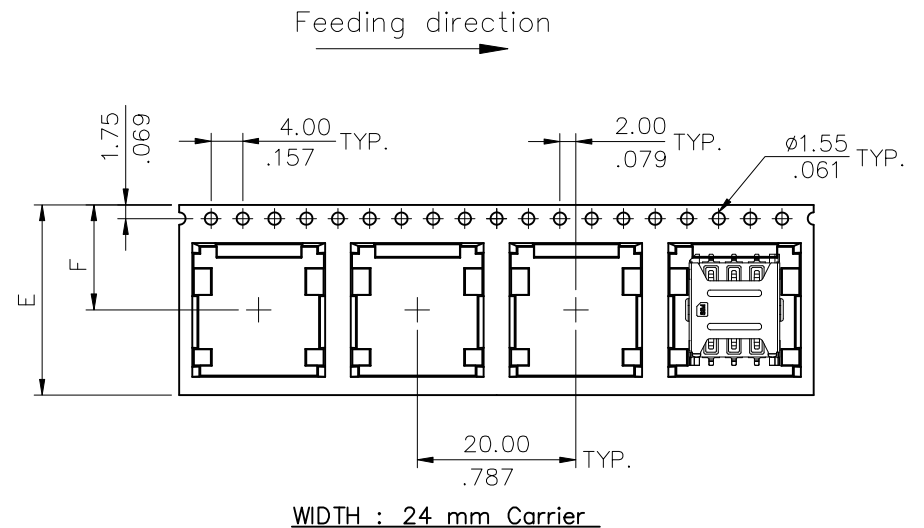
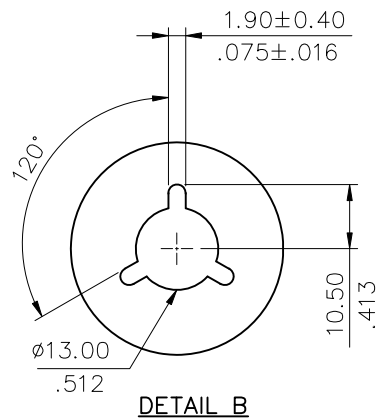
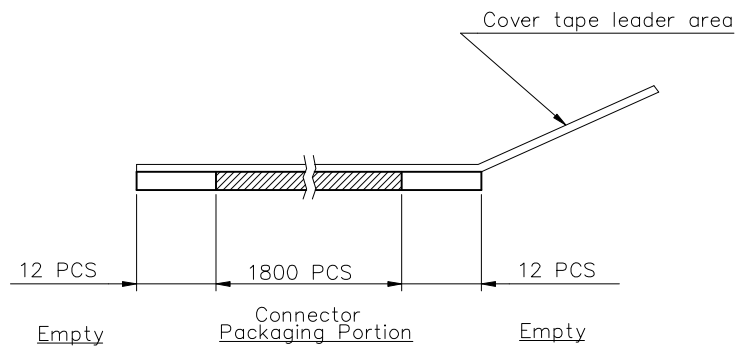
X3 东莞市溪榜电子有限公司
Switch Connector DONG GUAN XI BANG ELECTRONI CS CO., LTD.




NOTE :

- * Reel Material : PS
- * Carrier Material : Clear PET
- * Cover Tape Material : PET
- * Carrier camber is within 1mm in 250mm
- * Cover Tape Peel Strength : 0.1N – 1.3N
- * All dimensions meet EIA-481-B requirements.
- * Quantity : 1800 PCS/Reel, 11 Reel/Cartron

Circuits	Dimension				
	E	F	W1	W2	W3
6	24.00(.945)	13.25(.522)	24.5(.965)	30.5(1.200)	24.5(.965)



RoHS Compliant

SYM	NAME	DATE	REVISIONS	APPROVED BY:	DATE	UNIT: mm / inch	TITLE: 1.27MM(.050") STRAIGHT DUAL ROW BORAD MOUNT PIN HEADER	 东莞市溪榜电子有限公司 DONG GUAN XI BANG ELECTRONI CS CO., LTD.		
4					DATE	UNIT: mm / inch	TITLE: 1.27MM(.050") STRAIGHT DUAL ROW BORAD MOUNT PIN HEADER	MATERIAL: CUSTOMER: DRAWING NO. CSIM-41SA PART NO. CSM30621D02-LF SCALE SHEET 2 OF 2		
3				DRAWN BY: Sandy	8/25-21'	TOLERANCE UNLESS OTHERWISE SPECIFIED				
2				ENGINEER: Sandy	8/25-21'	.X ± 0.15/.016 X' ± 1'				
1				CHECKED BY: Eisley	8/26-21'	.XX ± 0.10/.004 .X' ±				
				APPROVED BY: Eisley	8/26-21'	.XXX ± 0.05/.002 .XX' ±				