

Material:

Insulator: High Temperature Plastic UL94V-0

Shell: Stainless Clean

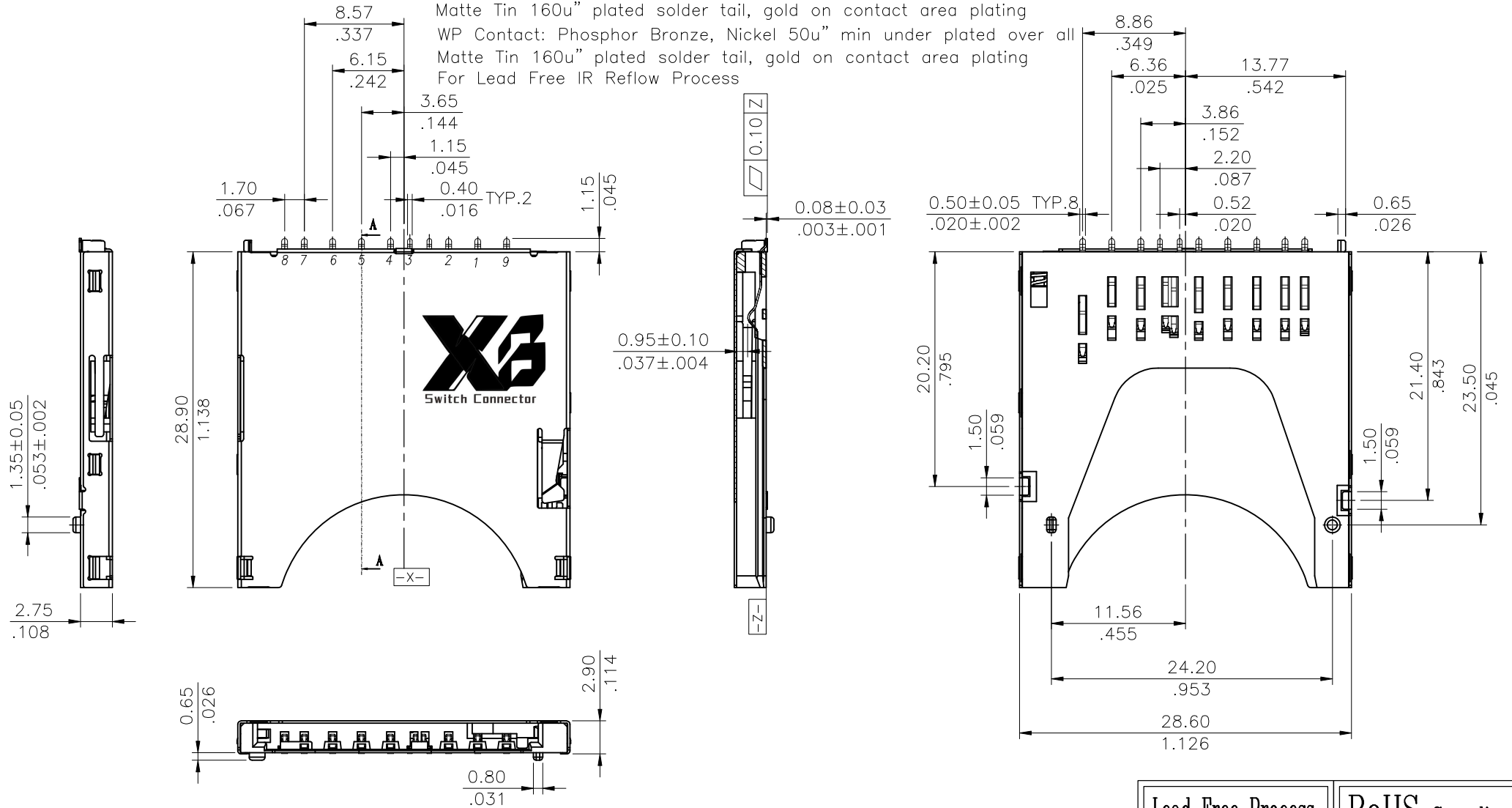
Contact: Phosphor Bronze, Nickel 50u" min under plated over all

Matte Tin 160u" plated solder tail, gold on contact area plating

WP Contact: Phosphor Bronze, Nickel 50u" min under plated over all

Matte Tin 160u" plated solder tail, gold on contact area plating

For Lead Free IR Reflow Process



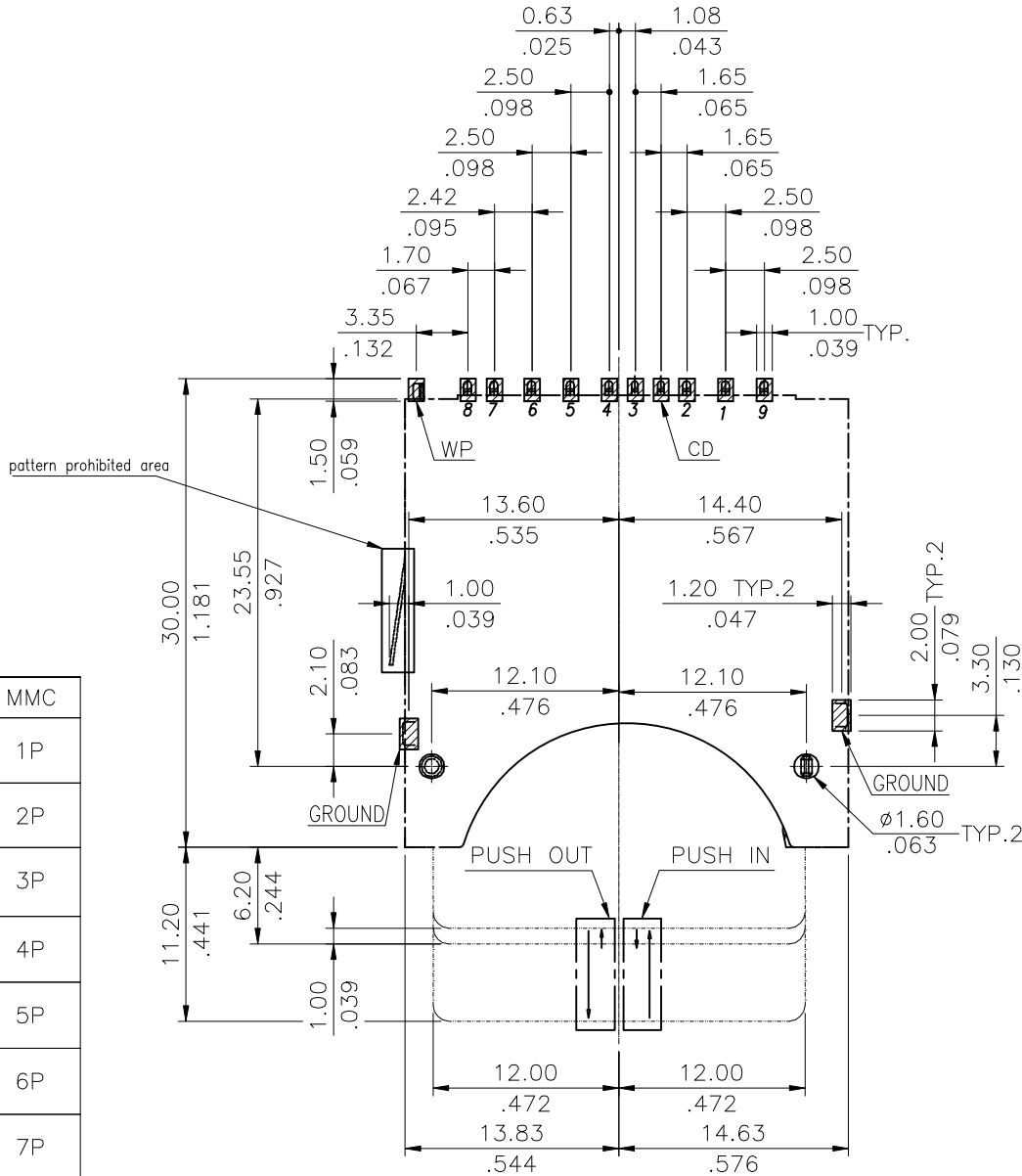
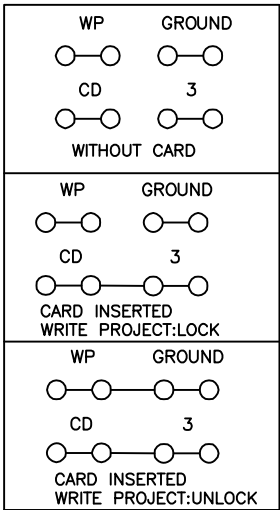
Lead Free Process RoHS Compliant

4					DATE	UNIT: mm / inch	TITLE: SD PUSH PUSH CONNECTOR(H=2.75mm)
3	Sun	6/04-20	ECNT120149	DRAWN BY:	Sun	6/4-20'	TOLERANCE UNLESS OTHERWISE SPECIFIED
2	Sandy	2/14-17'	ECNT117034	ENGINEER:	Sun	6/4-20'	
1	Karen	2/05-16'	ECNT116030/ECRT115110	CHECKED BY:	Eisley	6/5-20'	MATERIAL:
SYM	NAME	DATE	REVISIONS	APPROVED BY:	Eisley	6/5-20'	FINISH:

XB 东莞市溪榜电子有限公司
DONG GUAN XI BANG ELECTRONICS CO., LTD.

DRAWING NO. CSD-28SC PART NO. CSD-09A001Z-R0-LF

SCALE 1.5/1 SHEET 1 OF 3

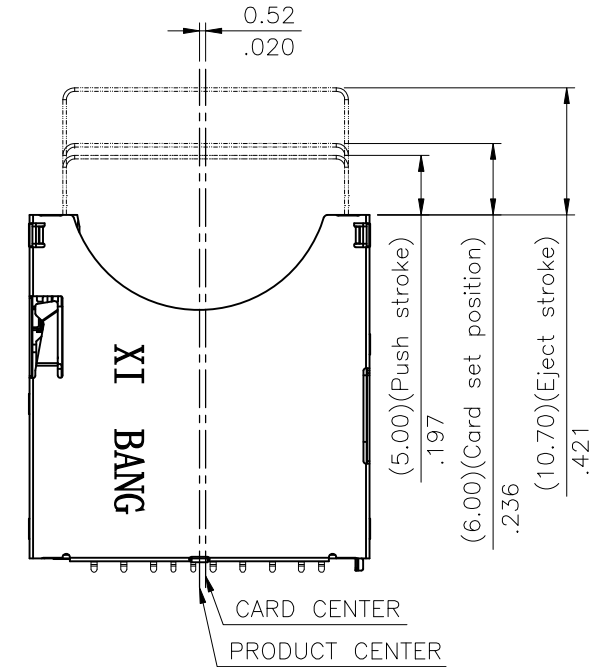


Recommended P.C.B. Layout
 (ALL TOLERANCE ARE ±0.05)

Ordering Code:

CSD-09 A 0 0 1 Z -R0 -LF
 ① ② ③ ④ ⑤ ⑥ ⑦ ⑧ ⑨

- ① SERIES NO.
- ② CONTACT NUMBER: 9
- ③ PLATING CODE: A= Selective Gold Flash
Plated over Nickel
- ④ Card Key orientation style:
0= Standard
- ⑤ MOUNT EAR STAND OFF: 0= 0mm
- ⑥ INSULATOR COLOR: 1= Color Black
- ⑦ OPTION CODE: Z= Standard
- ⑧ PACKING OPTION: R0= REEL PACKING
- ⑨ -LF= For Lead Free IR Reflow Process



Pin No.	SD	MMC
P1	MMC-DAT3 SD-CD/DAT3	1P
P2	MMC-CMD SD-CMD	2P
P3	MMC-VSS1 SD-VSS1	3P
P4	MMC-VDD SD-VDD	4P
P5	MMC-CLK SD-CLK	5P
P6	MMC-VSS2 SD-VSS2	6P
P7	MMC-DAT0 SD-DAT0	7P
P8	SD-DAT1	8P
P9	SD-DAT2	9P

Lead Free Process RoHS compliant

④					DATE	UNIT: mm / inch	TITLE: SD PUSH PUSH CONNECTOR(H=2.75mm)
③	Sun	6/04-20	ECNT120149	DRAWN BY:	Sun	6/4-20'	TOLERANCE UNLESS OTHERWISE SPECIFIED
②	Sandy	2/14-17'	ECNT117034	ENGINEER:	Sun	6/4-20'	.X ± 0.30/.012 .X' ± 3'
①	Karen	2/05-16'	ECNT116030/ECRT115110	CHECKED BY:	Eisley	6/5-20'	.XX ± 0.20/.008 .X' ±
SYM	NAME	DATE	REVISIONS	APPROVED BY:	Eisley	6/5-20'	.XXX ± 0.10/.004 .XX' ±

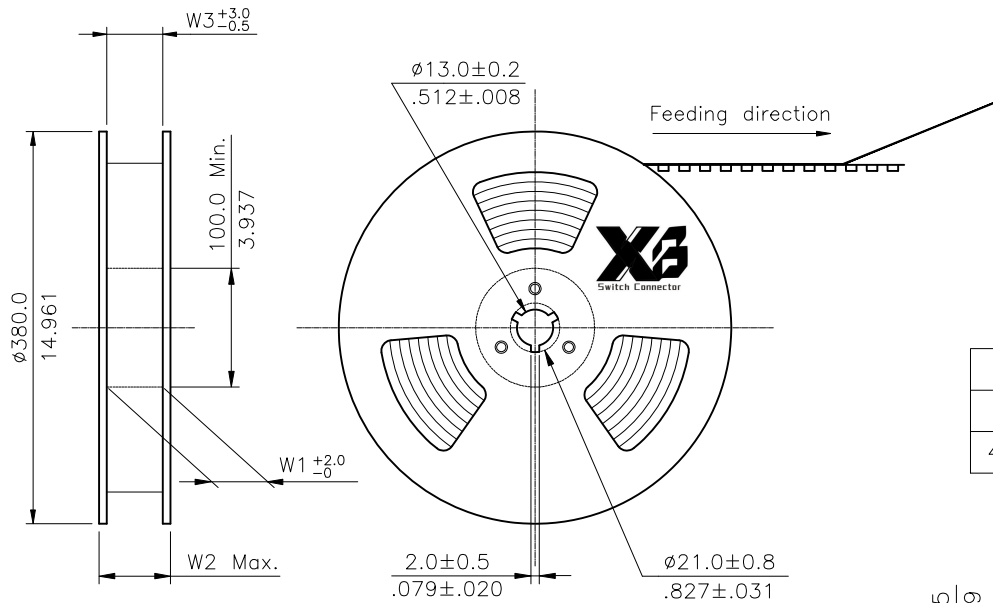
东 莞 市 溪 榜 电 子 有 限 公 司
 DONG GUAN XI BANG ELECTRONICS CO., LTD.
 Switch Connector

DRAWING NO. CSD-28SC PART NO. CSD-09A001Z-R0-LF

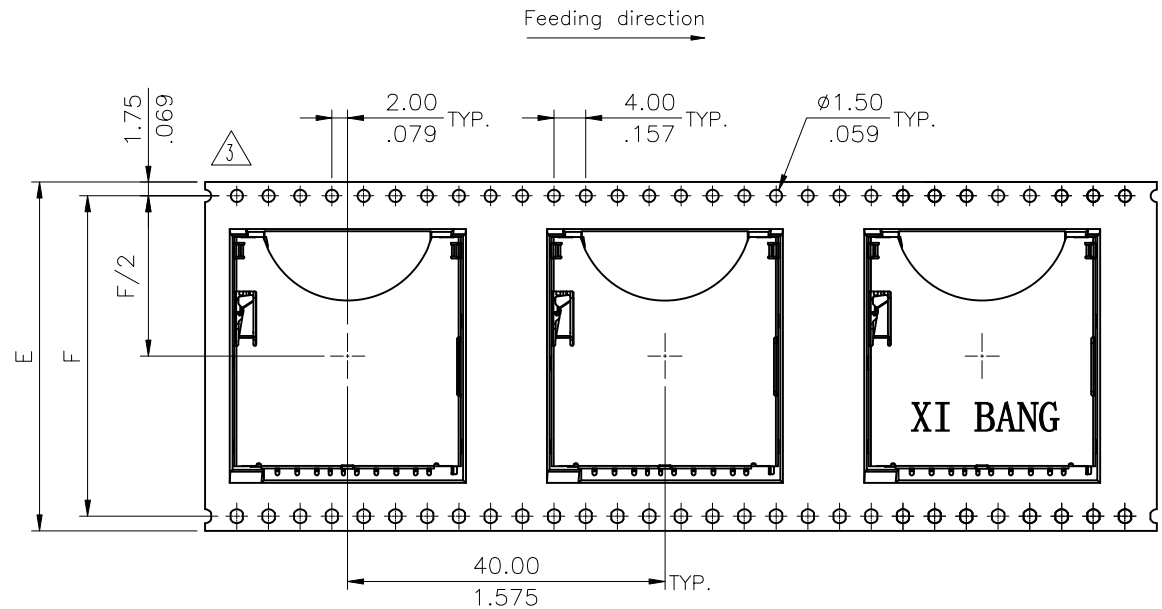
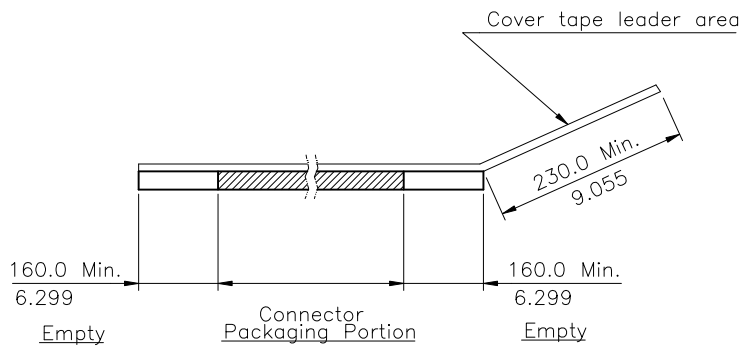
SCALE 1.5/1 SHEET 2 OF 3

NOTE :

- * Reel Material : HIPS
- * Carrier Material : Clear, Conductive Polystyrene Alloy
- * Cover Tape Material : Polyester
- * Cover Tape Peel Strength : 0.1N – 1.3N
- * Carrier camber is within 1mm in 100mm
- * All dimensions meet EIA-481-2 & EIA-481-3 requirements.
- * Quantity : 400 PCS/Reel




Dimension					Packing (Reel/Carton)
E	F	W1	W2	W3	
44.0(1.732)	40.4(1.596)	44.5(1.752)	50.5(1.988)	44.5(1.752)	7



WIDTH : 44 mm Carrier

RoHS Compliant

4				DATE	UNIT: mm / inch	TITLE: SD PUSH PUSH CONNECTOR(H=2.8mm)	 东莞市溪榜电子有限公司 DONG GUAN XI BANG ELECTRONICS CO., LTD.
3	Sun	6/04-20	ECNT120149	DRAWN BY: Sun	6/4-20'	TOLERANCE UNLESS OTHERWISE SPECIFIED	
2	Sandy	2/14-17'	ECNT117034	ENGINEER: Sun	6/4-20'	.X ± .X' ± 1'	SCALE
1	Karen	2/05-16'	ECNT116030/ECRT115110	CHECKED BY: Eisley	6/5-20'	.XX ± .X' ±	
SYM	NAME	DATE	REVISIONS	APPROVED BY: Eisley	6/5-20'	.XXX ± .XX' ±	