

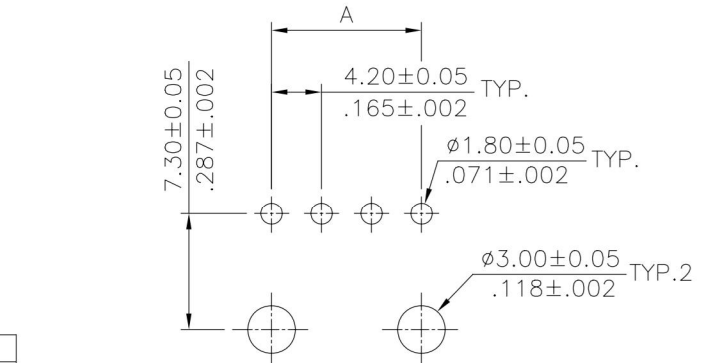
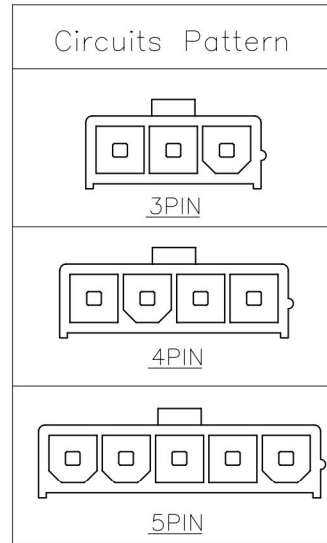
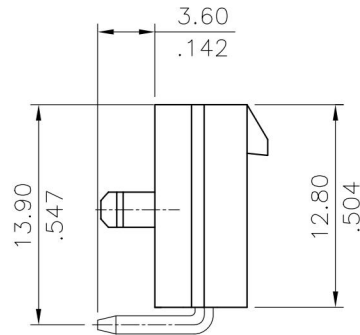
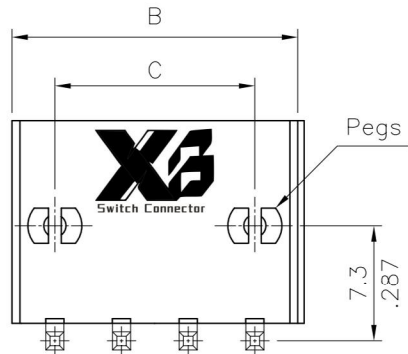
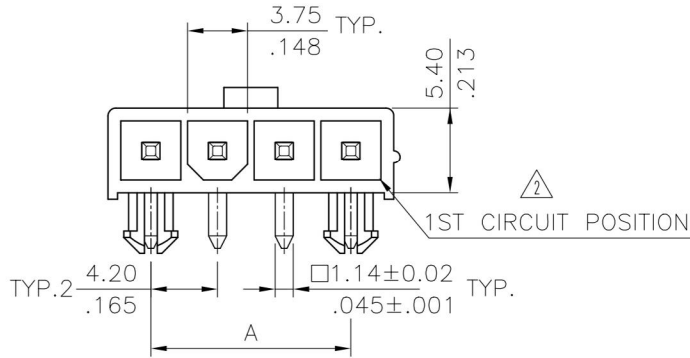
Material:

- * Insulation: Nylon 66 , Color Nature
- * Contact: Brass

Ordering Code:

CP-01 4 ** 1 * S
 ① ② ③ ④ ⑤ ⑥

- ① Series No.
- ② Type of Connector:
4= Right angle PCB mount header
- ③ No of Circuits:
- ④ Plating Code: 1= Tin over Nickel
2= Gold flash plated over Nickel
3= 0.38μm(15μ") Gold plated over 1.27μm(50μ") Nickel
4= 0.76μm(30μ") Gold plated over 1.27μm(50μ") Nickel
- △ ⑤ Variation: 4= UL 94V-2, With mounting pegs
5= UL 94V-0, With mounting pegs
- ⑥ S= Single Row Header



Recommended P.C. Board Layout

Circuits	Dimension		
	A	B	C
3	8.4(.331)	13.8(.543)	8.4(.331)
4	12.6(.496)	18.0(.709)	12.6(.496)
5	16.8(.661)	22.2(.874)	16.8(.661)

Halogen-Free

Tin-Lead Process

RoHS Compliant

SYM	NAME	DATE	REVISIONS	APPROVED BY:	DATE	UNIT: mm / inch	TITLE: RIGHT ANGLE HEADER CP-01 POWER CONNECTOR	MATERIAL:	FINISH:	DRAWING NO. CP0158AC	PART NO. CP-014**14S CP-014**15S	SCALE 3 / 1	SHEET 1 OF 1
△4					DATE	UNIT: mm / inch	TITLE: RIGHT ANGLE HEADER CP-01 POWER CONNECTOR						
△3				DRAWN BY: Sandy	9/19-08'	TOLERANCE UNLESS OTHERWISE SPECIFIED							
△2	Sandy	9/19-08	ECN08463	ENGINEER: Eisley	9/19-08'	.X ± 0.38/.015	X' ± r'						
△1	Hank	10/4 07'	ECN07412	CHECKED BY: Alex	9/19-08'	.XX ± 0.25/.010	.X' ±						
				APPROVED BY: Alex	9/19-08'	.XXX ± 0.10/.004	.XX' ±						

X3 东莞市溪榜电子有限公司
 DONG GUAN XI BANG ELECTRONICS CO., LTD.