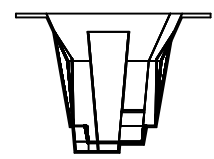
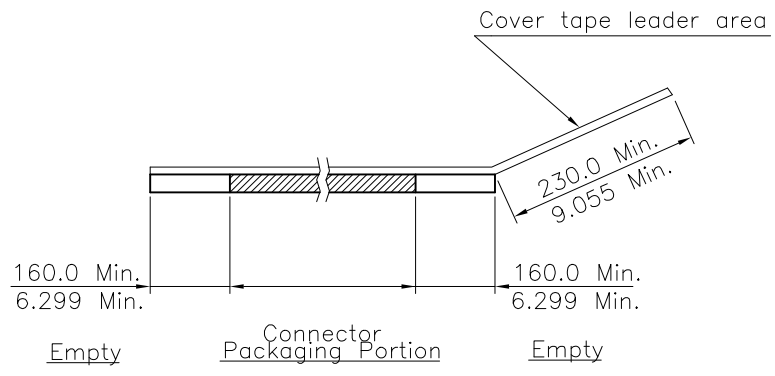
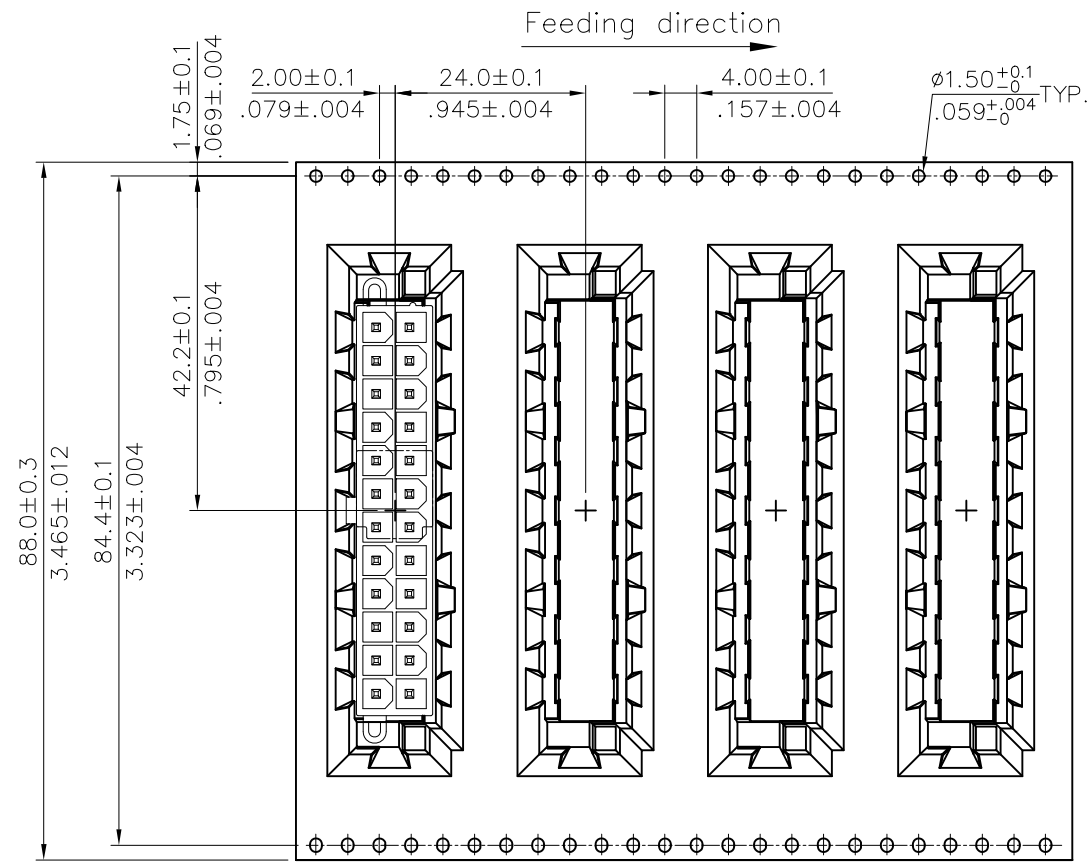



NOTES:

1. 10 sprocket hole pitch cumulative tolerance  $\pm 0.20$
2. Carrier camber is within 1 mm in 250 mm.
3. Material :Transparent ps.
4. All dimensions meet EIA-481-B requirements.
5. Thickness :  $0.50 \pm 0.05$ mm.
6. Component load per 13" Reel : 150 pcs.



RoHS Compliant

4					DATE	UNIT: mm / inch	TITLE: RIGHT ANGLE HEADER CP-01 POWER CONNECTOR	 <b>东莞市溪榜电子有限公司</b> DONG GUAN XI BANG ELECTRONI CS CO., LTD.
3				DRAWN BY: Sun	2/2-16'	TOLERANCE UNLESS OTHERWISE SPECIFIED	MATERIAL:	
2				ENGINEER: Sun	2/2-16'	.X ±	CUSTOMER:	DRAWING NO. CP01209SB
1	Sun	2/02-16'	ECRB116003/ECNT116021	CHECKED BY: Easley	2/4-16'	.XX ±		PART NO. CP-013242Z0-R0-NH
SYM	NAME	DATE	REVISIONS	APPROVED BY: Easley	2/4-16'	.XXX ±		SCALE