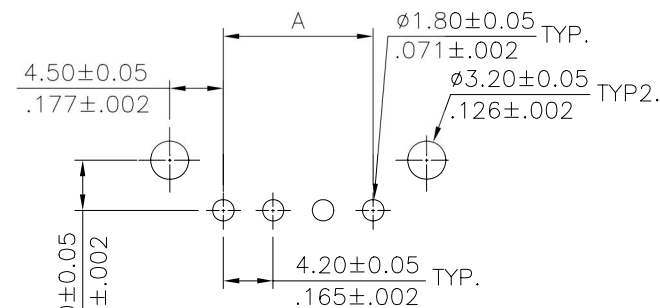


Circuits	Dimension			
	A	B	C	D
3	8.4(.331)	13.8(.543)	17.4(.685)	23.8(.937)
4	12.6(.496)	18.0(.709)	21.6(.850)	28.0(1.102)
5	16.8(.661)	22.2(.874)	25.8(1.016)	32.2(1.268)

Ordering Code:

CP-01 ① ② ③ ④ ⑤ ⑥

- ① Series No.
- ② Type of Connector:
4= Right angle PCB mount header
- ③ No of Circuits:
- ④ Plating Code: 1= Tin over Nickel
2= Gold flash, plated over Nickel
3= 0.38μm(15μ") Gold plated over 1.27μm(50μ") Nickel
4= 0.76μm(30μ") Gold plated over 1.27μm(50μ") Nickel
- ⑤ Variation: 0= UL 94V-2, With mounting ears
2= UL 94V-0, With mounting ears
- ⑥ S= Single Row Header



Recommended P.C. Board Layout

Tin-Lead Process

RoHS Compliant

SYM	NAME	DATE	REVISIONS	APPROVED BY:	DATE	UNIT: mm / inch	TITLE: RIGHT ANGLE HEADER CP-01 POWER CONNECTOR
4						TOLERANCE UNLESS OTHERWISE SPECIFIED	MATERIAL:
3				DRAWN BY: Sandy	9/19-08'		
2				ENGINEER: Eisley	9/19-08'	.X ± 0.38/.015	FINISH:
1	Sandy	9/19-08'	ECN08463	CHECKED BY: Alex	9/19-08'	.XX ± 0.25/.010	
				APPROVED BY: Alex	9/19-08'	.XXX ± 0.10/.004	

XB 东莞市溪榜电子有限公司
DONG GUAN XI BANG ELECTRONICS CO., LTD.

DRAWING NO.	CP0156AB	PART NO.	CP-014**10S CP-014**12S
SCALE	3 / 1	SHEET	1 OF 1