

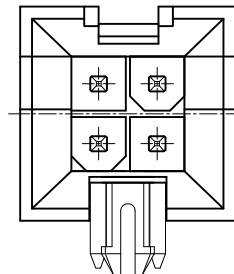
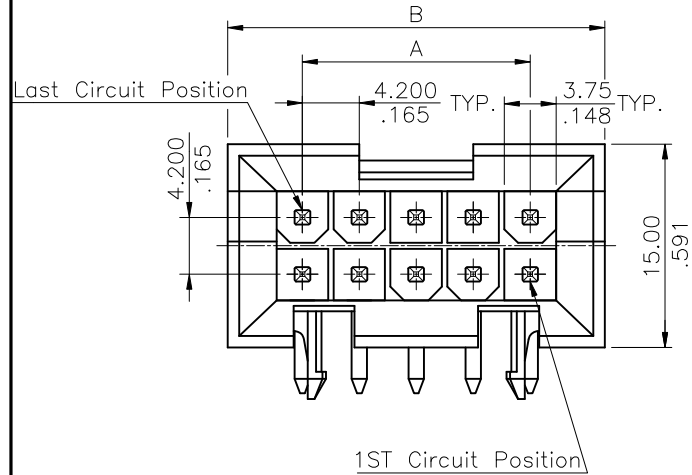
Notes:

- Material & Finish:
Insulation: Nylon 6 UL 94V-2 Color Nature
Contact: Brass
- Glow wire requirement:
IEC 60695-2-12 GWFI 960°C@0.38mm & 930°C@0.75mm
& 960°C@1.50mm & 960°C@3.00mm
IEC 60695-2-11 GWEPT 750°C ≤2S

Ordering Code:

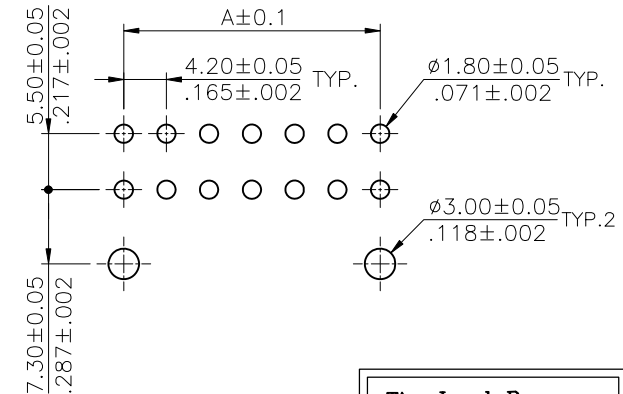
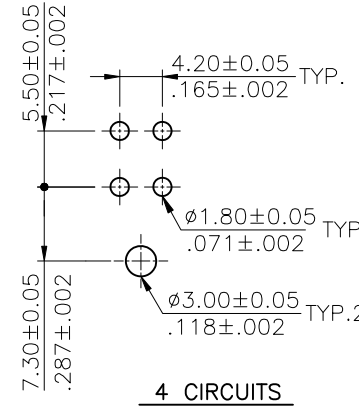
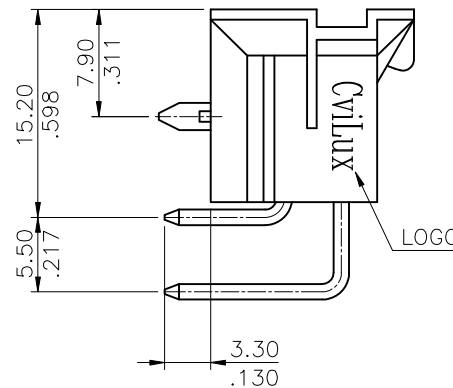
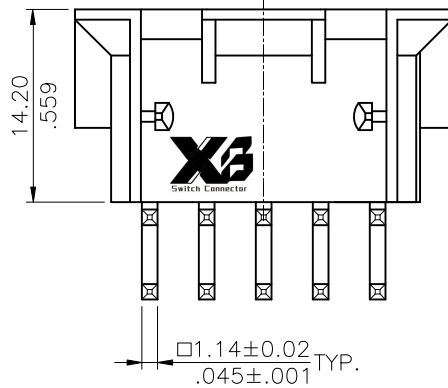
CP-01 4 ** * H 0
① ② ③ ④ ⑤ ⑥

- Series No.
- Type of Connector:
4= Right angle PCB mount header
- No of Circuits:
- Plating Code:
1= Tin over Nickel
2= Gold flash plated over Nickel
3= 0.38μm(15μ") Gold plated over 1.27μm(50μ") Nickel
4= 0.76μm(30μ") Gold plated over 1.27μm(50μ") Nickel
- Variation: H= UL 94V-2, BMI type
(Glow wire available)
- Option: 0= Standard



4 CIRCUITS
P/N:CP-01404**0


| Circuits | Dimension | |
|----------|--------------|-------------|
| | A | B |
| 4 | 4.20(.165) | 15.2(.598) |
| 6 | 8.40(.331) | 19.4(.764) |
| 10 | 16.80(.661) | 27.8(1.094) |
| 14 | 25.20(.992) | 36.2(1.425) |
| 18 | 33.60(1.323) | 44.6(1.756) |
| 24 | 46.20(1.819) | 57.2(2.252) |



Recommended P.C. Board layout

Tin-Lead Process

RoHS Compliant

| | | | | | | | | |
|-----|-------|----------|------------|---------------------|----------|--------------------------------------|---|--|
| ④ | | | | | DATE | UNIT: mm / inch | TITLE: CP-014 SERIES BMI RIGHT ANGLE TYPE CONN. |  东莞市溪榜电子有限公司 DONG GUAN XI BANG ELECTRONI CS CO., LTD. |
| ③ | | | | DRAWN BY: Kenny | 8/26-20' | TOLERANCE UNLESS OTHERWISE SPECIFIED | MATERIAL: | |
| ② | | | | ENGINEER: Sun | 9/1-20' | .X ± 0.38/015 X: ± 1' | FINISH: | DRAWING NO. CP0152AB PART NO. CP-014***H0 |
| ① | Kenny | 8/26-20' | ECNT120227 | CHECKED BY: Eisley | 9/4-20' | .XX ± 0.25/010 X: ± | | SCALE 2 / 1 SHEET 1 OF 1 |
| SYM | NAME | DATE | REVISIONS | APPROVED BY: Eisley | 9/4-20' | .XXX ± 0.10/004 XX: ± | | |